

# SINGLE MICROSWITCH DEVICES

# SHEET 1

PRODUCTS:  
GNExCP7, STExCP8  
& WP7

Diagram	Sheet
Dual Switch Wiring Configurations	2,3,5,6,7,8
LED Indicator Wiring Configurations	4,5,6,8
Parallel Dual Switch Wiring Configurations	7, 8

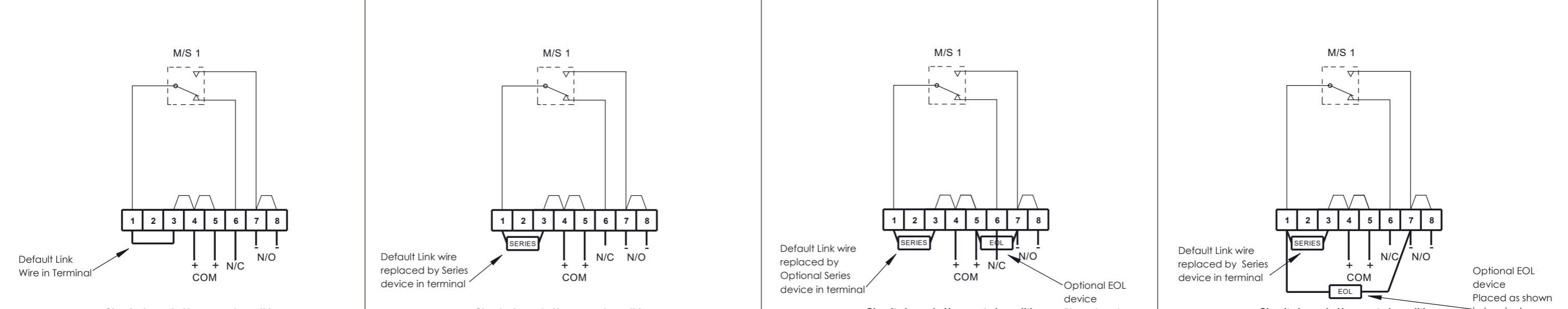
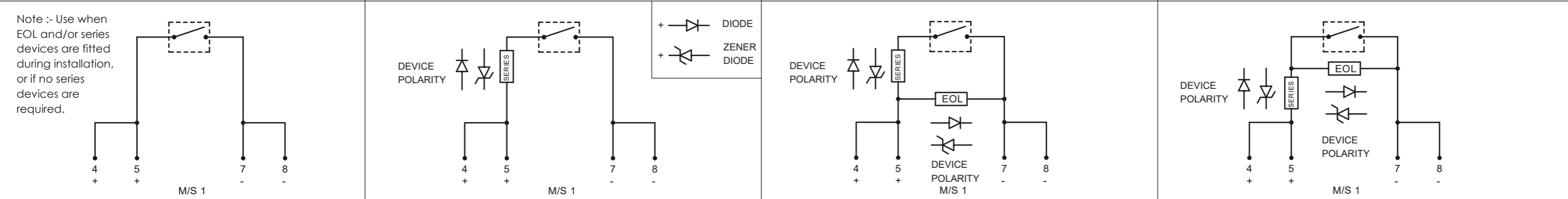
GNExCP7-BG[s][t][l][e][m][d][v][o][x][u]-[v][e][s] Series  
 Switch Type [s] Terminals [t] Product Version [v] Product Option [o] LED Indicator [u] EOL Module [e]

Module Device Codes		
	EOL	Series
Resistor	ExxxR	SxxxR
Diode	ED1	SD1
Zener Diode	ExxxZ	SxxxZ
LED	N/A	L or C

ISSUE	MOD No.	REASON - INITIAL - DATE
5	ACN0102	Addition of BG version ; Options clarified RNP 15-04-2022
6	ACN0127	Configuration coding added and aligned with other call points. LED options added ; PCB page moved to new document. RNP 14-07-2023

SINGLE SWITCH	CONFIG. D1-1	SINGLE SWITCH WITH SERIES DEVICE	CONFIG. D1-2	SINGLE SWITCH WITH EOL & SERIES DEVICES	CONFIG. D1-3	SINGLE SWITCH WITH EOL & ALT. SERIES DEVICES	CONFIG. D1-4
---------------	--------------	----------------------------------	--------------	---	--------------	--	--------------

SWITCH TYPE [s] [S] TERMINALS [t] [D] PRODUCT OPTION [o] [1] LED INDICATOR [u] [N]	Single DIN Rail Default NO LED	SWITCH TYPE [s] [S] TERMINALS [t] [D] PRODUCT OPTION [o] [1] LED INDICATOR [u] [N] SERIES MODULE [s] [Sxxxx]	Single DIN Rail Default NO LED Series Device	SWITCH TYPE [s] [S] TERMINALS [t] [D] PRODUCT OPTION [o] [1] LED INDICATOR [u] [N] MODULES [e][s] [Exxxx][Sxxxx]	Single DIN Rail Default NO LED EOL + Series	SWITCH TYPE [s] [S] TERMINALS [t] [D] PRODUCT OPTION [o] [W] LED INDICATOR [u] [N] MODULE [e][s] [Exxxx][Sxxxx]	Single DIN Rail Alt. EOL Pos'n. NO LED EOL + Series
---	---	--	--	--	---	---	---



<p><b>Circuit shown in Unoperated condition</b></p> <p><b>Unoperated condition (Glass Intact / Standby Condition)</b> Terminals +(4,5) &amp; -(7,8) open Terminals +(4,5) &amp; (6) closed</p> <p><b>Operated condition (Glass Broken / Button pushed in)</b> Terminals +(4,5) &amp; -(7,8) closed Terminals +(4,5) &amp; (6) open</p>	<p><b>Circuit shown in Unoperated condition</b></p> <p><b>Unoperated condition (Glass Intact / Standby Condition)</b> Terminals +(4,5) &amp; -(7,8) open Terminals +(4,5) &amp; (6) closed</p> <p><b>Operated condition (Glass Broken / Button pushed in)</b> Terminals +(4,5) &amp; -(7,8) closed Terminals +(4,5) &amp; (6) open</p>	<p><b>Circuit shown in Unoperated condition</b></p> <p><b>Unoperated condition (Glass Intact / Standby Condition)</b> Terminals +(4,5) &amp; -(7,8) open Terminals +(4,5) &amp; (6) closed</p> <p><b>Operated condition (Glass Broken / Button pushed in)</b> Terminals +(4,5) &amp; -(7,8) closed Terminals +(4,5) &amp; (6) open</p>	<p><b>Circuit shown in Unoperated condition</b></p> <p><b>Unoperated condition (Glass Intact / Standby Condition)</b> Terminals +(4,5) &amp; -(7,8) open Terminals +(4,5) &amp; (6) closed</p> <p><b>Operated condition (Glass Broken / Button pushed in)</b> Terminals +(4,5) &amp; -(7,8) closed Terminals +(4,5) &amp; (6) open</p>
--	--	--	--

DRAWING TO BS8888:2000  
GEOMETRIC TOLERANCES TO ISO1101:1983  
LINEAR DIMENSIONAL TOLS  
ANGULAR DIMENSIONAL TOLS

STANDARDS  
GNExCP7 ; STExCP8 ; WP7 units  
with DIN Rail

DRAWN	DATE
R.S.RAIT	05-03-2020
CHECKED	DATE
B.ISARD	05-03-2020
APPROVED	DATE
R.N.POTTS	05-03-2020

SURFACE FINISH	WEIGHT (Kg)
MATERIAL	
ALTERNATIVE MATERIAL	

THIS DRAWING AND ANY INFORMATION OR DESCRIPTIVE MATTER THEREIN IS COMMUNICATED IN CONFIDENCE AND IS THE COPYRIGHT PROPERTY OF EUROPEAN SAFETY SYSTEMS LTD. NEITHER THE WHOLE OR ANY EXTRACT MAY BE DISCLOSED, LOANED, COPIED OR USED FOR MANUFACTURING OR TENDERING PURPOSES WITHOUT THEIR WRITTEN CONSENT.

© EUROPEAN SAFETY SYSTEMS LTD.  
AS PER LATEST DATE OF ISSUE SHOWN ABOVE

EUROPEAN SAFETY SYSTEMS LTD  
IMPRESS HOUSE  
MANSELL ROAD  
ACTON  
LONDON W3 7QH  
WWW.E2S.COM

ALL DIMENSIONS IN MM IF IN DOUBT, ASK - DO NOT SCALE			<b>A3</b>
TITLE <b>GNExCP7 ; STExCP8 ; WP7 CALL POINT WIRING / CIRCUIT OPERATION DIAGRAM</b>			
SCALE	SHEET	DRAWING NUMBER	
NTS	1 OF 8	<b>D202-06-211</b>	

**DUAL MICROSWITCH DEVICES**

**SHEET 2**

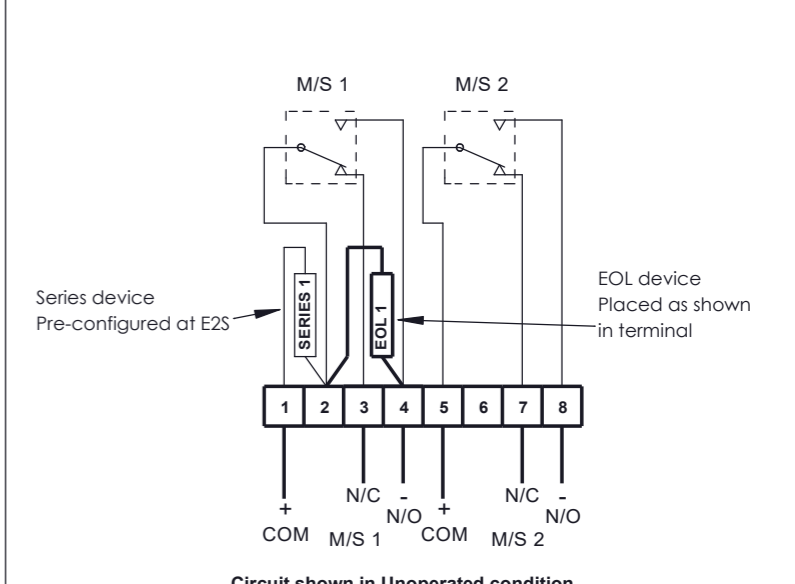
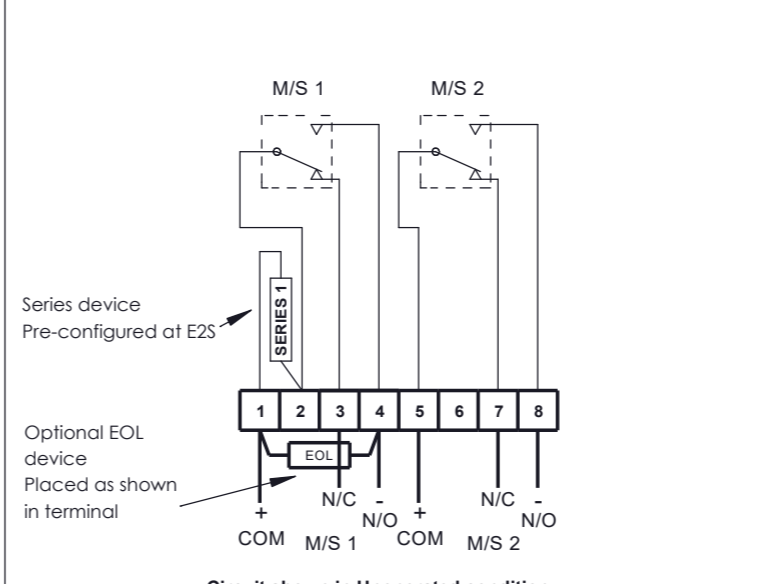
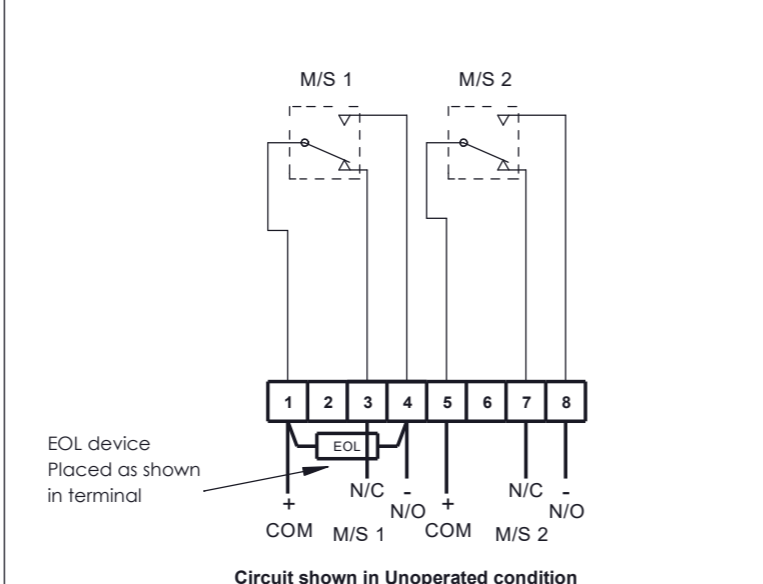
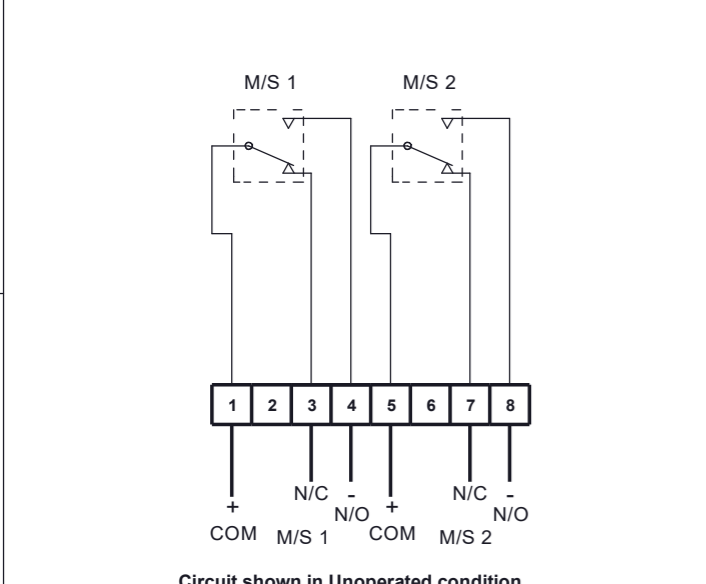
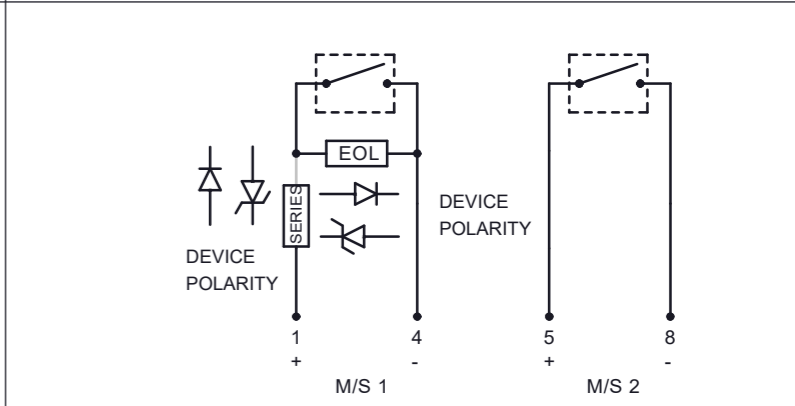
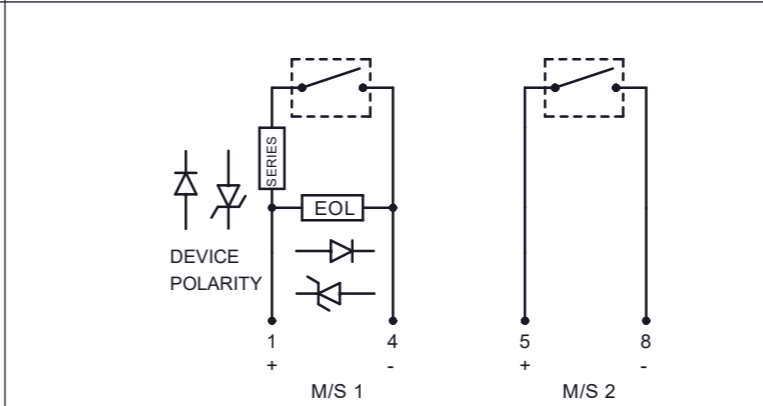
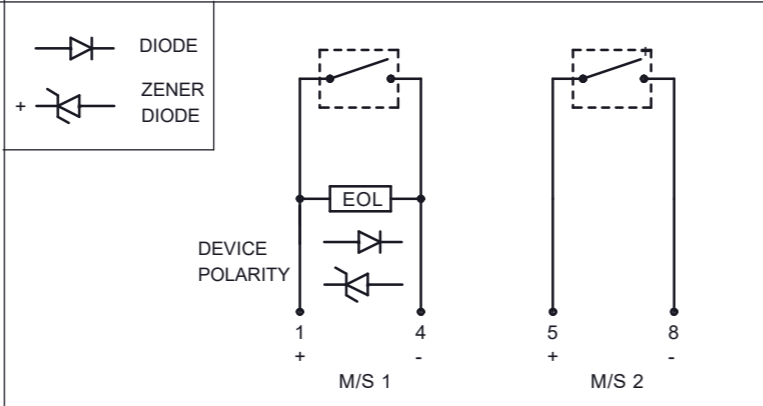
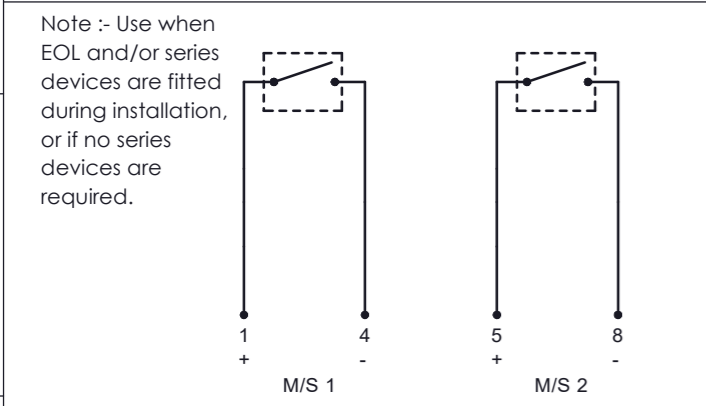
Notes:  
1. Other configurations of dual switch units are possible. Contact E2S sales to discuss options.

GNEXCP7-BG[s][t][l][e][m][d][v][o][x][u]-[v][e][s] Series  
 Switch Type [s] Terminals [t] Product Version [v] Product Option [o] LED Indicator [u] EOL Module [e]

Module Device Codes		
	EOL	Series
Resistor	ExxxR	SxxxR
Diode	ED1	SD1
Zener Diode	ExxxZ	SxxxZ
LED	N/A	L or C

ISSUE	MOD No.	REASON - INITIAL - DATE
5	ACN0102	Addition of BG version ; Options clarified RNP 15-04-2022
6	ACN0127	Configuration coding added and aligned with other call points. LED options added ; PCB page moved to new document. RNP 14-07-2023

DUAL SWITCH WITH EOL DEVICE	CONFIG. D2-1	DUAL SWITCH WITH SERIES DEVICES	CONFIG. D2-2	DUAL SWITCH WITH EOL & SERIES DEVICES	CONFIG. D2-3	DUAL SWITCH WITH EOL & SERIES DEVICES	CONFIG. D2-4
SWITCH TYPE [s] [D] TERMINALS [t] [D] PRODUCT OPTION [o] [1] LED INDICATOR [u] [N]	Dual DIN Rail Default NO LED	SWITCH TYPE [s] [D] TERMINALS [t] [D] PRODUCT OPTION [o] [1] LED INDICATOR [u] [N] SERIES MODULE [s] [Sxxxx]	Dual DIN Rail Only Default NO LED Series Device	SWITCH TYPE [s] [D] TERMINALS [t] [D] PRODUCT OPTION [o] [1] LED INDICATOR [u] [N] MODULES [e] [s] [Exxxx][Sxxxx]	Dual DIN Rail Only Default NO LED EOL + Series	SWITCH TYPE [s] [D] TERMINALS [t] [D] PRODUCT OPTION [o] [W] LED INDICATOR [u] [N] MODULES [e] [s] [Exxxx][Sxxxx]	Dual DIN Rail Only Alt. EOL Pos'n. NO LED EOL + Series



**Circuit shown in Unoperated condition**

**Unoperated condition (Glass Intact / Standby Condition)**  
 Terminals +(1) & -(4) M/S 1 & +(5) & -(8) M/S 2 open  
 Terminals +(1) & -(3) M/S 1 & +(5) & -(7) M/S 2 closed

**Operated condition (Glass Broken / Button pushed in)**  
 Terminals +(1) & -(3) M/S 1 & +(5) & -(7) M/S 2 open  
 Terminals +(1) & -(4) M/S 1 & +(5) & -(8) M/S 2 closed

**Circuit shown in Unoperated condition**

**Unoperated condition (Glass Intact / Standby Condition)**  
 Terminals +(1) & -(4) M/S 1 & +(5) & -(8) M/S 2 open  
 Terminals +(1) & -(3) M/S 1 & +(5) & -(7) M/S 2 closed

**Operated condition (Glass Broken / Button pushed in)**  
 Terminals +(1) & -(3) M/S 1 & +(5) & -(7) M/S 2 open  
 Terminals +(1) & -(4) M/S 1 & +(5) & -(8) M/S 2 closed

**Circuit shown in Unoperated condition**

**Unoperated condition (Glass Intact / Standby Condition)**  
 Terminals +(1) & -(4) M/S 1 & +(5) & -(8) M/S 2 open  
 Terminals +(1) & -(3) M/S 1 & +(5) & -(7) M/S 2 closed

**Operated condition (Glass Broken / Button pushed in)**  
 Terminals +(1) & -(3) M/S 1 & +(5) & -(7) M/S 2 open  
 Terminals +(1) & -(4) M/S 1 & +(5) & -(8) M/S 2 closed

**Circuit shown in Unoperated condition**

**Unoperated condition (Glass Intact / Standby Condition)**  
 Terminals +(1) & -(4) M/S 1 & +(5) & -(8) M/S 2 open  
 Terminals +(1) & -(3) M/S 1 & +(5) & -(7) M/S 2 closed

**Operated condition (Glass Broken / Button pushed in)**  
 Terminals +(1) & -(3) M/S 1 & +(5) & -(7) M/S 2 open  
 Terminals +(1) & -(4) M/S 1 & +(5) & -(8) M/S 2 closed

DRAWING TO BS8888:2000  
 GEOMETRIC TOLERANCES TO ISO1101:1983  
 LINEAR DIMENSIONAL TOLS  
 ANGULAR DIMENSIONAL TOLS

STANDARDS  
**GNExCP7 ; STExCP8 ; WP7 units with DIN Rail**

DRAWN **D.HOWGILL** DATE **05-03-2020**  
 CHECKED **R.N.POTTS** DATE **05-03-2020**  
 APPROVED **R.N.POTTS** DATE **05-03-2020**

SURFACE FINISH  
 WEIGHT (Kg)  
 MATERIAL  
 ALTERNATIVE MATERIAL

THIS DRAWING AND ANY INFORMATION OR DESCRIPTIVE MATTER THEREIN IS COMMUNICATED IN CONFIDENCE AND IS THE COPYRIGHT PROPERTY OF EUROPEAN SAFETY SYSTEMS LTD. NEITHER THE WHOLE OR ANY EXTRACT MAY BE DISCLOSED, LOANED, COPIED OR USED FOR MANUFACTURING OR TENDERING PURPOSES WITHOUT THEIR WRITTEN CONSENT.

EUROPEAN SAFETY SYSTEMS LTD.  
 AS PER LATEST DATE OF ISSUE SHOWN ABOVE

**e2S** warning signals  
 EUROPEAN SAFETY SYSTEMS LTD  
 IMPRESS HOUSE  
 MANSELL ROAD  
 ACTON  
 LONDON W3 7QH  
 WWW.E2S.COM

ALL DIMENSIONS IN MM  
 IF IN DOUBT, ASK - DO NOT SCALE

TITLE **GNExCP7 ; STExCP8 ; WP7 CALL POINT WIRING / CIRCUIT OPERATION DIAGRAM**

SCALE **NTS** SHEET **2 OF 8** DRAWING NUMBER **D202-06-211**

# DUAL MICROSWITCH DEVICES DUPLICATED

# SHEET 3

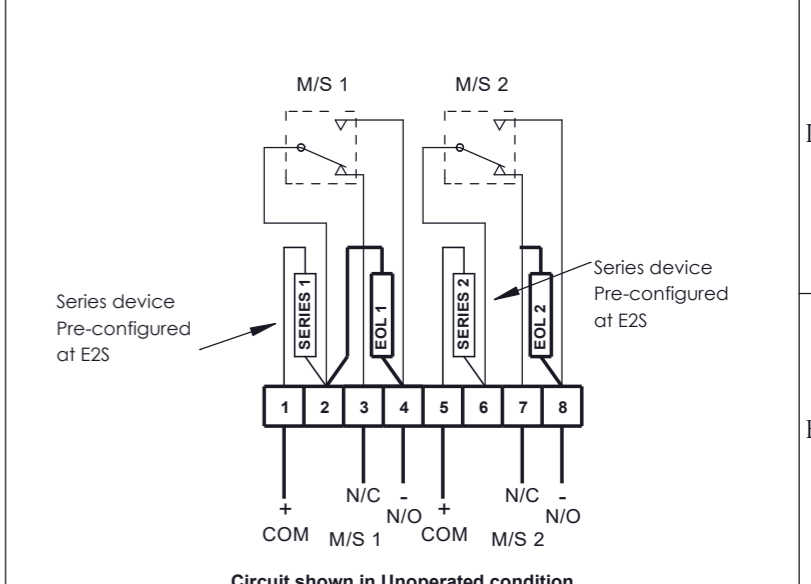
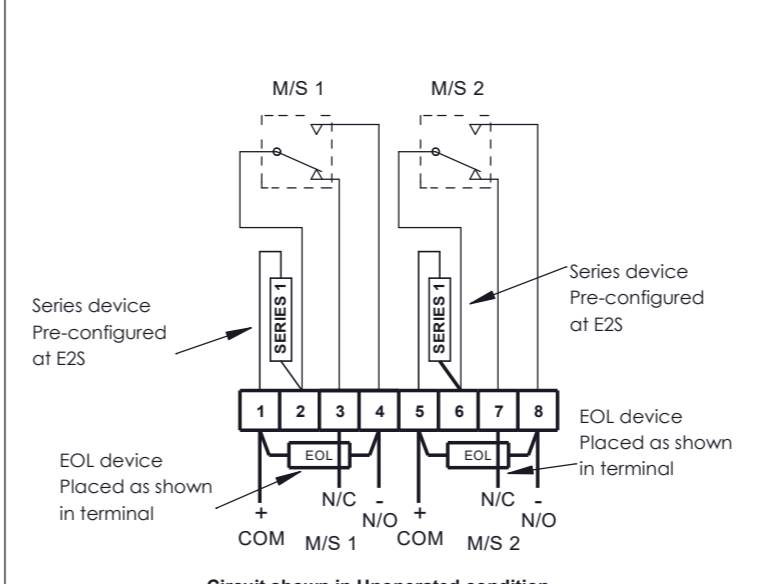
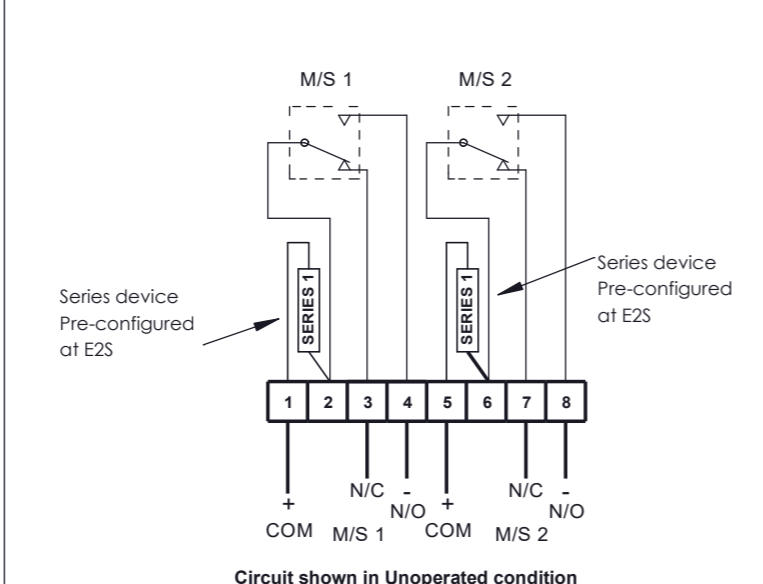
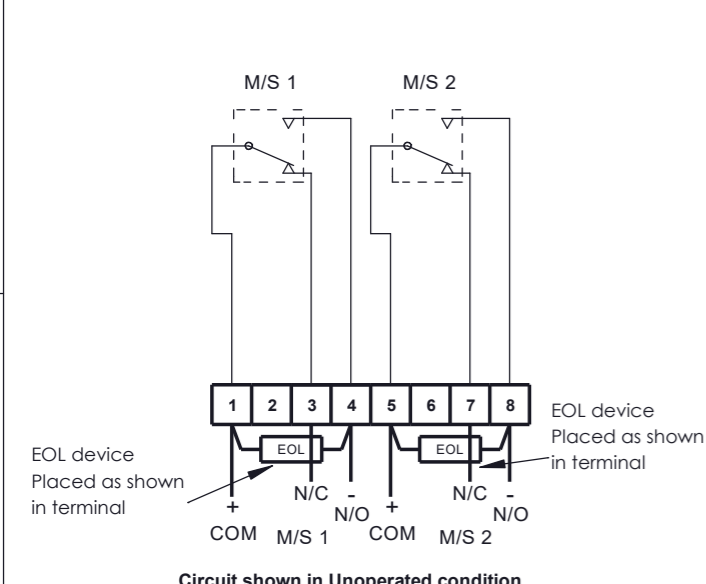
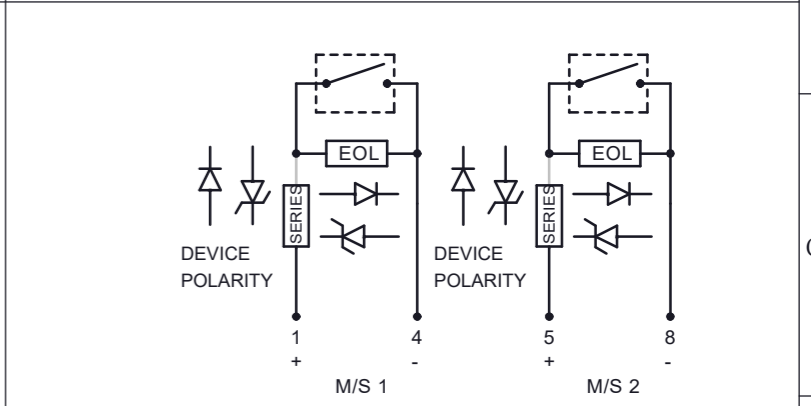
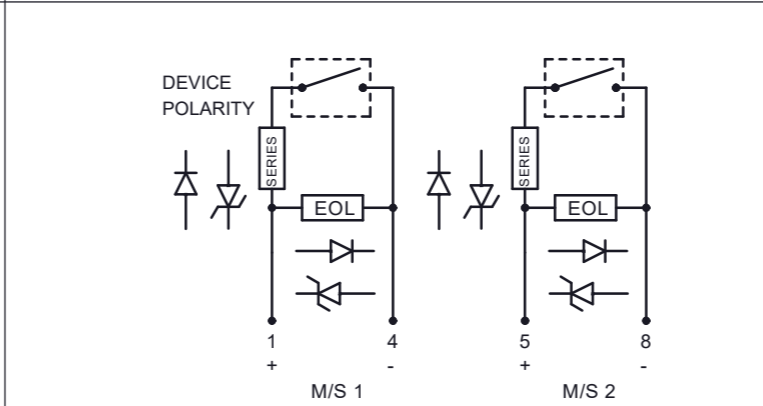
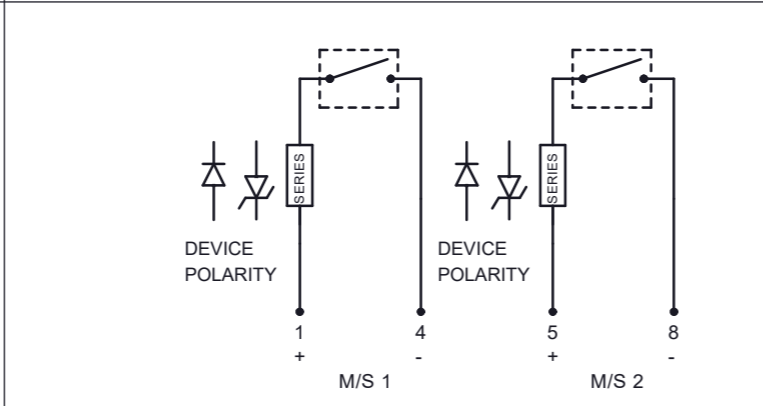
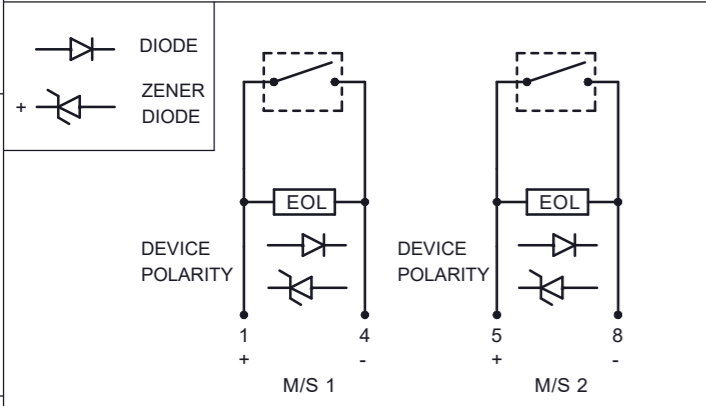
GNEXCP7-BG[s][t][l][e][m][d][v][o][x][u]-[v][e][s] Series  
 Switch Type [s] Terminals [t] Product Version [v] Product Option [o] LED Indicator [u] EOL Module [e]

Module Device Codes		
	EOL	Series
Resistor	ExxxR	SxxxR
Diode	ED1	SD1
Zener Diode	ExxxZ	SxxxZ
LED	N/A	L or C

ISSUE	MOD No.	REASON - INITIAL - DATE
5	ACN0102	Addition of BG version ; Options clarified RNP 15-04-2022
6	ACN0127	Configuration coding added and aligned with other call points. LED options added ; PCB page moved to new document. RNP 14-07-2023

Notes:  
 1. Other configurations of dual switch units are possible. Contact E2S sales to discuss options.

DUAL SWITCH WITH EOL DEVICES DUPLICATED	CONFIG. D3-1	DUAL SWITCH WITH SERIES DEVICES DUPLICATED	CONFIG. D3-2	DUAL SWITCH WITH EOL & SERIES DEVICE DUPLICATED	CONFIG. D3-3	DUAL SWITCH WITH EOL & SERIES DEVICE DUPLICATED	CONFIG. D3-4
SWITCH TYPE [s] [D] TERMINALS [t] [D] PRODUCT OPTION [o] [2] LED INDICATOR [u] [N] EOL MODULE [e] [Exxxx]	Dual DIN Rail Duplicated NO LED EOL Device	SWITCH TYPE [s] [D] TERMINALS [t] [D] PRODUCT OPTION [o] [2] LED INDICATOR [u] [N] SERIES MODULE [s] [Sxxxx]	Dual DIN Rail Only Duplicated NO LED Series Device	SWITCH TYPE [s] [D] TERMINALS [t] [D] PRODUCT OPTION [o] [2] LED INDICATOR [u] [N] MODULES [e][s] [Exxxx][Sxxxx]	Dual DIN Rail Only Duplicated NO LED EOL + Series	SWITCH TYPE [s] [D] TERMINALS [t] [D] PRODUCT OPTION [o] [Y] LED INDICATOR [u] [N] MODULES [e][s] [Exxxx][Sxxxx]	Dual DIN Rail Only Alt. EOL Pos'n. DUP. NO LED EOL + Series



**Circuit shown in Unoperated condition**

**Unoperated condition (Glass Intact / Standby Condition)**  
 Terminals +(1) & -(4) M/S 1 & +(5) & -(8) M/S 2 open  
 Terminals +(1) & -(3) M/S 1 & +(5) & -(7) M/S 2 closed

**Operated condition (Glass Broken / Button pushed in)**  
 Terminals +(1) & -(3) M/S 1 & +(5) & -(7) M/S 2 open  
 Terminals +(1) & -(4) M/S 1 & +(5) & -(8) M/S 2 closed

**Circuit shown in Unoperated condition**

**Unoperated condition (Glass Intact / Standby Condition)**  
 Terminals +(1) & -(4) M/S 1 & +(5) & -(8) M/S 2 open  
 Terminals +(1) & -(3) M/S 1 & +(5) & -(7) M/S 2 closed

**Operated condition (Glass Broken / Button pushed in)**  
 Terminals +(1) & -(3) M/S 1 & +(5) & -(7) M/S 2 open  
 Terminals +(1) & -(4) M/S 1 & +(5) & -(8) M/S 2 closed

**Circuit shown in Unoperated condition**

**Unoperated condition (Glass Intact / Standby Condition)**  
 Terminals +(1) & -(4) M/S 1 & +(5) & -(8) M/S 2 open  
 Terminals +(1) & -(3) M/S 1 & +(5) & -(7) M/S 2 closed

**Operated condition (Glass Broken / Button pushed in)**  
 Terminals +(1) & -(3) M/S 1 & +(5) & -(7) M/S 2 open  
 Terminals +(1) & -(4) M/S 1 & +(5) & -(8) M/S 2 closed

**Circuit shown in Unoperated condition**

**Unoperated condition (Glass Intact / Standby Condition)**  
 Terminals +(1) & -(4) M/S 1 & +(5) & -(8) M/S 2 open  
 Terminals +(1) & -(3) M/S 1 & +(5) & -(7) M/S 2 closed

**Operated condition (Glass Broken / Button pushed in)**  
 Terminals +(1) & -(3) M/S 1 & +(5) & -(7) M/S 2 open  
 Terminals +(1) & -(4) M/S 1 & +(5) & -(8) M/S 2 closed

DRAWING TO BS8888:2000  
 GEOMETRIC TOLERANCES TO ISO1101:1983  
 LINEAR DIMENSIONAL TOLS  
 ANGULAR DIMENSIONAL TOLS

STANDARDS  
**GNExCP7 ; STExCP8 ; WP7 units with DIN Rail**

DRAWN DATE  
**D.HOWGILL 05-03-2020**

CHECKED DATE  
**R.N.POTTS 05-03-2020**

APPROVED DATE  
**R.N.POTTS 05-03-2020**

SURFACE FINISH WEIGHT (Kg)

MATERIAL

ALTERNATIVE MATERIAL

THIS DRAWING AND ANY INFORMATION OR DESCRIPTIVE MATTER THEREIN IS COMMUNICATED IN CONFIDENCE AND IS THE COPYRIGHT PROPERTY OF EUROPEAN SAFETY SYSTEMS LTD. NEITHER THE WHOLE OR ANY EXTRACT MAY BE DISCLOSED, LOANED, COPIED OR USED FOR MANUFACTURING OR TENDERING PURPOSES WITHOUT THEIR WRITTEN CONSENT.

EUROPEAN SAFETY SYSTEMS LTD.  
 AS PER LATEST DATE OF ISSUE SHOWN ABOVE

**e2S** warning signals

EUROPEAN SAFETY SYSTEMS LTD  
 IMPRESS HOUSE  
 MANSELL ROAD  
 ACTON  
 LONDON W3 7QH  
 WWW.E2S.COM

ALL DIMENSIONS IN MM  
 IF IN DOUBT, ASK - DO NOT SCALE

TITLE **GNExCP7 ; STExCP8 ; WP7 CALL POINT WIRING / CIRCUIT OPERATION DIAGRAM**

SCALE SHEET DRAWING NUMBER  
**NTS 3 OF 8 D202-06-211**

**SINGLE MICROSWITCH LED DEVICES**

**SHEET 4**

GNEXCP7-BG[s][t][l][e][m][d][v][o][x][u]-[v][e][s] Series  
 Switch Type [s] Terminals [t] Product Version [v] Product Option [o] LED Indicator [u] EOL Module [e]

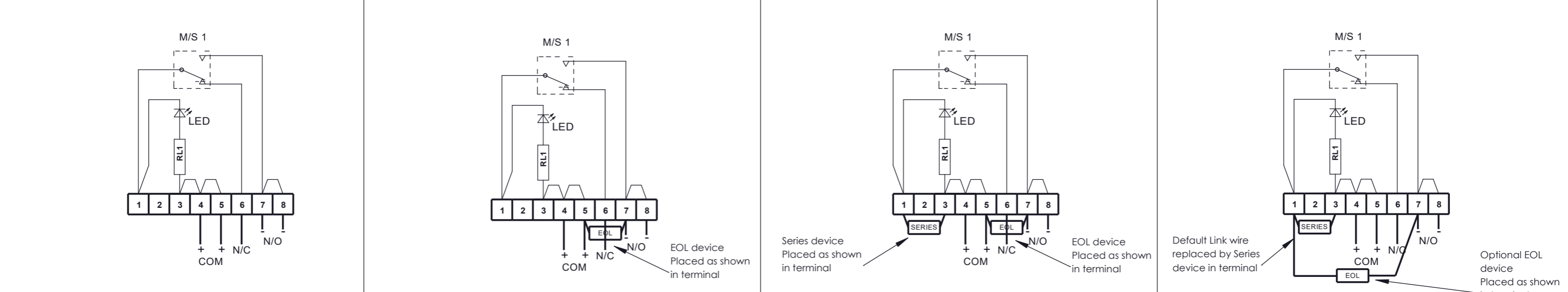
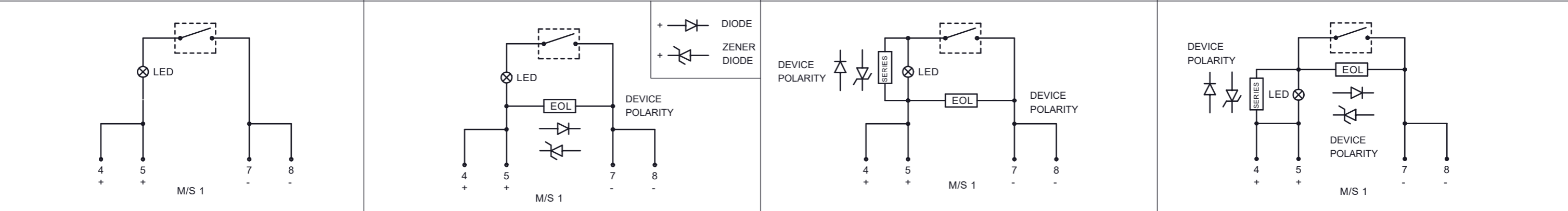
Module Device Codes		
	EOL	Series
Resistor	ExxxR	SxxxR
Diode	ED1	SD1
Zener Diode	ExxxZ	SxxxZ
LED	N/A	L or C

ISSUE	MOD No.	REASON - INITIAL - DATE
5	ACN0102	Addition of BG version ; Options clarified RNP 15-04-2022
6	ACN0127	Configuration coding added and aligned with other call points. LED options added ; PCB page moved to new document. RNP 14-07-2023

Notes:  
 1. Units have the option to remove the LED current-limiting resistor RL1 option 'L' using LED option 'C'. In all other cases shown RL1 is included.

SINGLE SWITCH WITH LED ONLY	CONFIG. D4-1	SINGLE SWITCH WITH LED & EOL DEVICE	CONFIG. D4-2	SINGLE SWITCH WITH LED EOL & SERIES DEVICES	CONFIG. D4-3	SINGLE SWITCH WITH LED, EOL & ALT. SERIES DEVICE	CONFIG. D4-4
-----------------------------	--------------	-------------------------------------	--------------	---	--------------	--	--------------

SWITCH TYPE [s] [S] TERMINALS [t] [D] PRODUCT OPTION [o] [1] LED INDICATOR [u] [L]	Single DIN Rail Default LED with RL1	SWITCH TYPE [s] [S] TERMINALS [t] [D] PRODUCT OPTION [o] [1] LED INDICATOR [u] [L] SERIES MODULE [e] [Exxxx]	Single DIN Rail Default LED with RL1 EOL Device	SWITCH TYPE [s] [S] TERMINALS [t] [D] PRODUCT OPTION [o] [1] LED INDICATOR [u] [L] EOL MODULE [e][s] [Exxxx][Sxxxx]	Single DIN Rail Default LED with RL1 EOL + Series Device	SWITCH TYPE [s] [S] TERMINALS [t] [D] PRODUCT OPTION [o] [W] LED INDICATOR [u] [L] MODULES [e][s] [Exxxx][Sxxxx]	Single DIN Rail Alt. EOL Pos'n. LED with RL1 EOL + Series Device
---	---	--	---	---	--	--	--



<p><b>Circuit shown in Unoperated condition</b></p> <p><b>Unoperated condition (Glass Intact / Standby Condition)</b>                      Terminals +(4,5) &amp; -(7,8) open                      Terminals +(4,5) &amp; (6) closed</p> <p><b>Operated condition (Glass Broken / Button pushed in)</b>                      Terminals +(4,5) &amp; -(7,8) closed                      Terminals +(4,5) &amp; (6) open</p>	<p><b>Circuit shown in Unoperated condition</b></p> <p><b>Unoperated condition (Glass Intact / Standby Condition)</b>                      Terminals +(4,5) &amp; -(7,8) open                      Terminals +(4,5) &amp; (6) closed</p> <p><b>Operated condition (Glass Broken / Button pushed in)</b>                      Terminals +(4,5) &amp; -(7,8) closed                      Terminals +(4,5) &amp; (6) open</p>	<p><b>Circuit shown in Unoperated condition</b></p> <p><b>Unoperated condition (Glass Intact / Standby Condition)</b>                      Terminals +(4,5) &amp; -(7,8) open                      Terminals +(4,5) &amp; (6) closed</p> <p><b>Operated condition (Glass Broken / Button pushed in)</b>                      Terminals +(4,5) &amp; -(7,8) closed                      Terminals +(4,5) &amp; (6) open</p>	<p><b>Circuit shown in Unoperated condition</b></p> <p><b>Unoperated condition (Glass Intact / Standby Condition)</b>                      Terminals +(4,5) &amp; -(7,8) open                      Terminals +(4,5) &amp; (6) closed</p> <p><b>Operated condition (Glass Broken / Button pushed in)</b>                      Terminals +(4,5) &amp; -(7,8) closed                      Terminals +(4,5) &amp; (6) open</p>
--	--	--	--

DRAWING TO BS8888:2000  
 GEOMETRIC TOLERANCES TO ISO1101:1983  
 LINEAR DIMENSIONAL TOLS  
 ANGULAR DIMENSIONAL TOLS

STANDARDS  
**GNEXCP7 ; STEXCP8 ; WP7 units with DIN Rail**

DRAWN	DATE
D.HOWGILL	05-03-2020
CHECKED	DATE
R.N.POTTS	05-03-2020
APPROVED	DATE
R.N.POTTS	05-03-2020

SURFACE FINISH	WEIGHT (Kg)
MATERIAL	
ALTERNATIVE MATERIAL	

THIS DRAWING AND ANY INFORMATION OR DESCRIPTIVE MATTER THEREIN IS COMMUNICATED IN CONFIDENCE AND IS THE COPYRIGHT PROPERTY OF EUROPEAN SAFETY SYSTEMS LTD. NEITHER THE WHOLE OR ANY EXTRACT MAY BE DISCLOSED, LOANED, COPIED OR USED FOR MANUFACTURING OR TENDERING PURPOSES WITHOUT THEIR WRITTEN CONSENT.

EUROPEAN SAFETY SYSTEMS LTD.  
 AS PER LATEST DATE OF ISSUE SHOWN ABOVE

**e2S**  
 warning signals

EUROPEAN SAFETY SYSTEMS LTD  
 IMPRESS HOUSE  
 MANSELL ROAD  
 ACTON  
 LONDON W3 7QH  
 WWW.E2S.COM

ALL DIMENSIONS IN MM  
 IF IN DOUBT, ASK - DO NOT SCALE

TITLE **GNEXCP7 ; STEXCP8 ; WP7 CALL POINT WIRING / CIRCUIT OPERATION DIAGRAM**

SCALE	SHEET	DRAWING NUMBER
NTS	4 OF 8	<b>D202-06-211</b>



**DUAL MICROSWITCH LED DEVICES**

**SHEET 5**

Notes:  
1. Units have the option to remove the LED current-limiting resistor RL1 option 'L' using LED option 'C'. In all other cases shown RL1 is included.

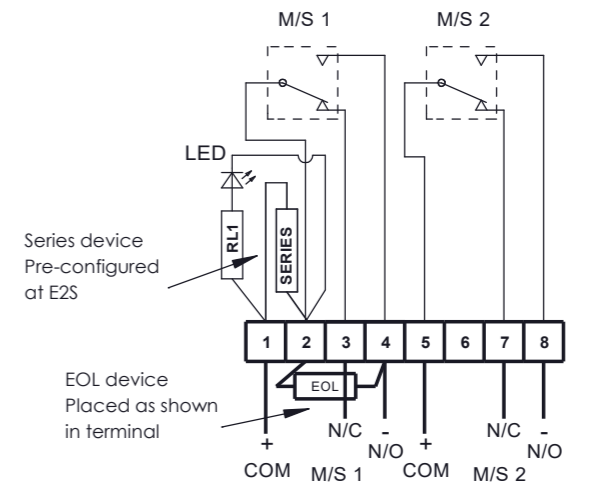
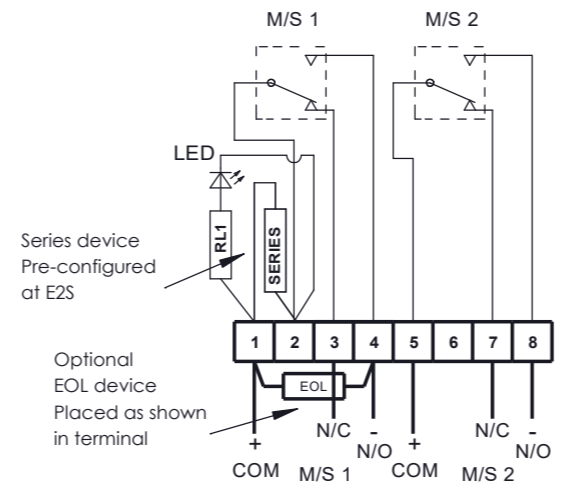
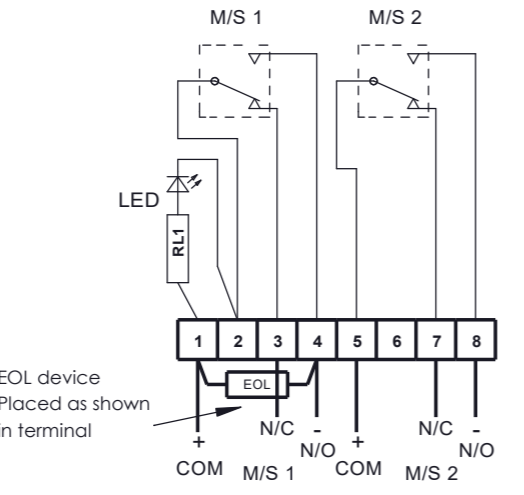
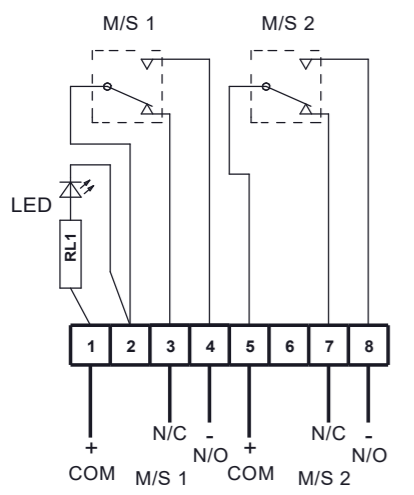
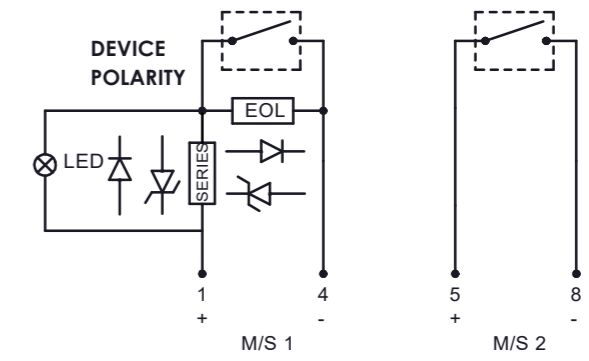
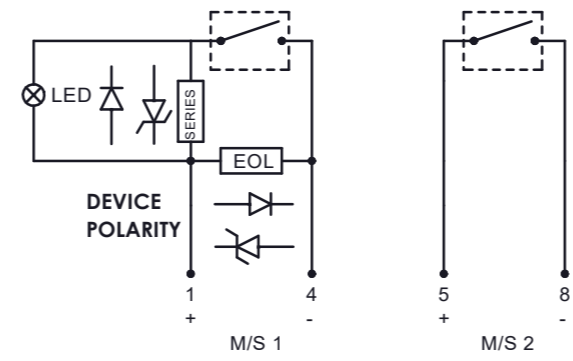
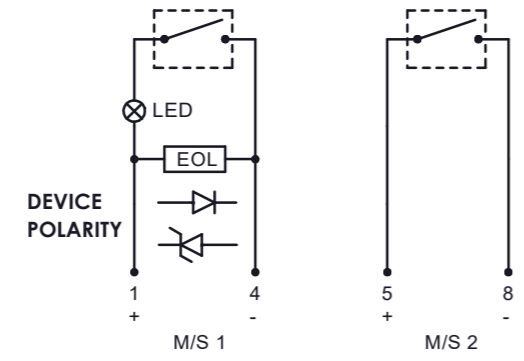
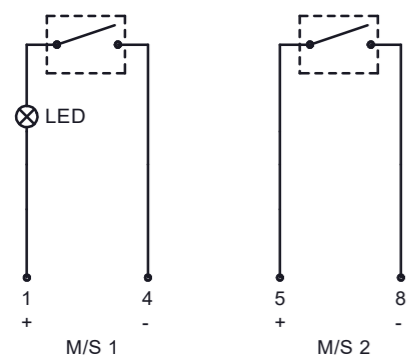
GNEXCP7-BG[s][t][l][e][m][d][v][o][x][u]-[v][e][s] Series  
 Switch Type [s] Terminals [t] Product Version [v] Product Option [o] LED Indicator [u] EOL Module [e]

Module Device Codes		
	EOL	Series
Resistor	ExxxR	SxxxR
Diode	ED1	SD1
Zener Diode	ExxxZ	SxxxZ
LED	N/A	L or C

ISSUE	MOD No.	REASON - INITIAL - DATE
5	ACN0102	Addition of BG version ; Options clarified RNP 15-04-2022
6	ACN0127	Configuration coding added and aligned with other call points. LED options added ; PCB page moved to new document. RNP 14-07-2023

DUAL SWITCH WITH LED	CONFIG. D5-1	DUAL SWITCH WITH LED & EOL DEVICES	CONFIG. D5-2	DUAL SWITCH WITH LED EOL & SERIES DEVICES	CONFIG. D5-3	DUAL SWITCH WITH LED, EOL & ALT. SERIES DEVICE	CONFIG. D5-4
----------------------	--------------	------------------------------------	--------------	---	--------------	--	--------------

SWITCH TYPE [s]	[D] Dual	SWITCH TYPE [s]	[D] Dual	SWITCH TYPE [s]	[D] Dual	SWITCH TYPE [s]	[D] Dual
TERMINALS [t]	[D] DIN Rail Only	TERMINALS [t]	[D] DIN Rail Only	TERMINALS [t]	[D] DIN Rail Only	TERMINALS [t]	[D] DIN Rail Only
PRODUCT OPTION [o]	[1] Default	PRODUCT OPTION [o]	[1] Default	PRODUCT OPTION [o]	[1] Default	PRODUCT OPTION [o]	[W] Alt. EOL Pos'n.
LED INDICATOR [u]	[L] LED with RL1	LED INDICATOR [u]	[L] LED with RL1	LED INDICATOR [u]	[L] LED with RL1	LED INDICATOR [u]	[L] LED with RL1
		EOL MODULE [e]	[ExxxR] EOL Device	SERIES MODULE [s]	[Sxxxx] Series Device	MODULES [e][s]	[Exxx][Sxxxx] EOL + Series



**Circuit shown in Unoperated condition**

**Unoperated condition (Glass Intact / Standby Condition)**  
 Terminals +(1) & -(4) M/S 1 & +(5) & -(8) M/S 2 open  
 Terminals +(1) & -(3) M/S 1 & +(5) & -(7) M/S 2 closed

**Operated condition (Glass Broken / Button pushed in)**  
 Terminals +(1) & -(3) M/S 1 & +(5) & -(7) M/S 2 open  
 Terminals +(1) & -(4) M/S 1 & +(5) & -(8) M/S 2 closed

**Circuit shown in Unoperated condition**

**Unoperated condition (Glass Intact / Standby Condition)**  
 Terminals +(1) & -(4) M/S 1 & +(5) & -(8) M/S 2 open  
 Terminals +(1) & -(3) M/S 1 & +(5) & -(7) M/S 2 closed

**Operated condition (Glass Broken / Button pushed in)**  
 Terminals +(1) & -(3) M/S 1 & +(5) & -(7) M/S 2 open  
 Terminals +(1) & -(4) M/S 1 & +(5) & -(8) M/S 2 closed

**Circuit shown in Unoperated condition**

**Unoperated condition (Glass Intact / Standby Condition)**  
 Terminals +(1) & -(4) M/S 1 & +(5) & -(8) M/S 2 open  
 Terminals +(1) & -(3) M/S 1 & +(5) & -(7) M/S 2 closed

**Operated condition (Glass Broken / Button pushed in)**  
 Terminals +(1) & -(3) M/S 1 & +(5) & -(7) M/S 2 open  
 Terminals +(1) & -(4) M/S 1 & +(5) & -(8) M/S 2 closed

**Circuit shown in Unoperated condition**

**Unoperated condition (Glass Intact / Standby Condition)**  
 Terminals +(1) & -(4) M/S 1 & +(5) & -(8) M/S 2 open  
 Terminals +(1) & -(3) M/S 1 & +(5) & -(7) M/S 2 closed

**Operated condition (Glass Broken / Button pushed in)**  
 Terminals +(1) & -(3) M/S 1 & +(5) & -(7) M/S 2 open  
 Terminals +(1) & -(4) M/S 1 & +(5) & -(8) M/S 2 closed

DRAWING TO BS8888:2000  
 GEOMETRIC TOLERANCES TO ISO1101:1983  
 LINEAR DIMENSIONAL TOLS  
 ANGULAR DIMENSIONAL TOLS

STANDARDS

DRAWN D.HOWGILL DATE 05-03-2020  
 CHECKED R.N.POTTS DATE 05-03-2020  
 APPROVED R.N.POTTS DATE 05-03-2020

SURFACE FINISH WEIGHT (Kg)  
 MATERIAL  
 ALTERNATIVE MATERIAL

THIS DRAWING AND ANY INFORMATION OR DESCRIPTIVE MATTER THEREIN IS COMMUNICATED IN CONFIDENCE AND IS THE COPYRIGHT PROPERTY OF EUROPEAN SAFETY SYSTEMS LTD. NEITHER THE WHOLE OR ANY EXTRACT MAY BE DISCLOSED, LOANED, COPIED OR USED FOR MANUFACTURING OR TENDERING PURPOSES WITHOUT THEIR WRITTEN CONSENT.

EUROPEAN SAFETY SYSTEMS LTD.  
 AS PER LATEST DATE OF ISSUE SHOWN ABOVE

**e2S** warning signals  
 EUROPEAN SAFETY SYSTEMS LTD  
 IMPRESS HOUSE  
 MANSELL ROAD  
 ACTON  
 LONDON W3 7QH  
 WWW.E2S.COM

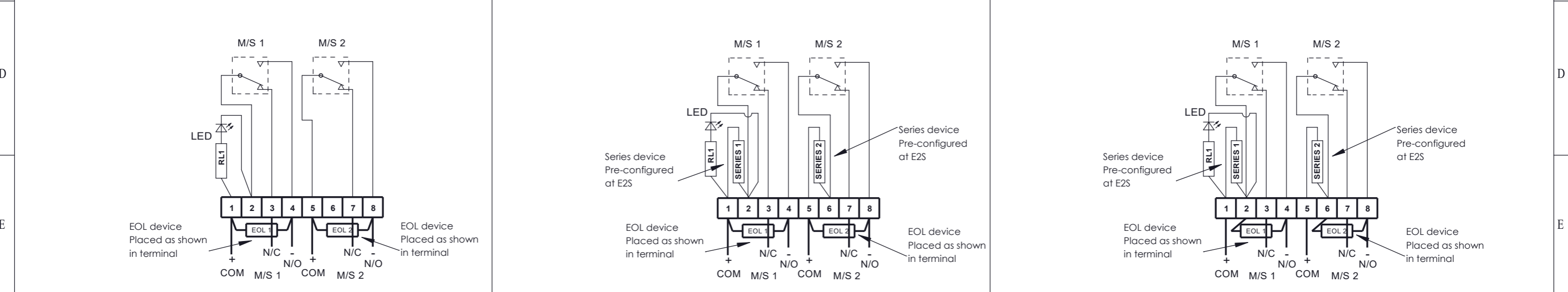
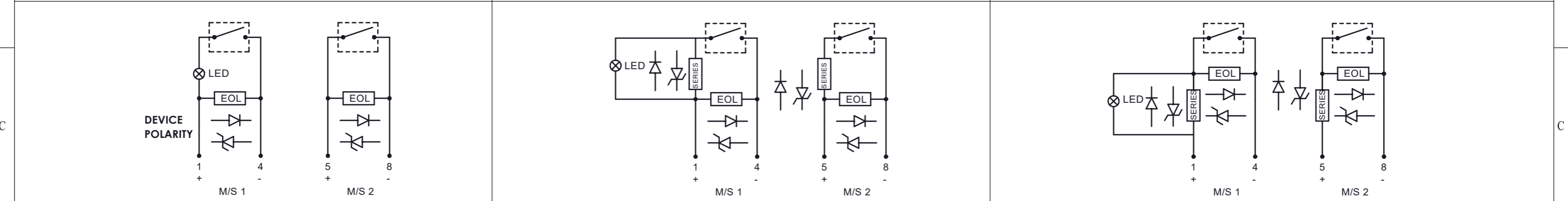
ALL DIMENSIONS IN MM  
 IF IN DOUBT, ASK - DO NOT SCALE

TITLE **GNEXCP7 ; STEXCP8 ; WP7 CALL POINT WIRING / CIRCUIT OPERATION DIAGRAM**

SCALE NTS SHEET 5 OF 8 DRAWING NUMBER **D202-06-211**

<b>DUAL SWITCH WITH LED &amp; EOL DEVICE</b>	<b>CONFIG. D6-1</b>	<b>DUAL SWITCH WITH LED &amp; SERIES DEVICE</b>	<b>CONFIG. D6-2</b>	<b>DUAL SWITCH WITH LED, EOL &amp; SERIES DEVICE</b>	<b>CONFIG. D6-3</b>
--	---------------------	---	---------------------	--	---------------------

SWITCH TYPE [s] [D] Dual TERMINALS [t] [D] DIN Rail Only PRODUCT OPTION [o] [2] Duplicated EOL LED INDICATOR [u] [L] LED with RL1 EOL MODULE [e] [ExxxR] EOL Device	SWITCH TYPE [s] [D] Dual TERMINALS [t] [D] DIN Rail Only PRODUCT OPTION [o] [2] Duplicated EOL / SERIES LED INDICATOR [u] [L] LED with RL1 SERIES MODULE [s] [Sxxxx] Series Device	SWITCH TYPE [s] [D] Dual TERMINALS [t] [D] DIN Rail Only PRODUCT OPTION [o] [Y] Alt. EOL Pos'n. DUPLICATED LED INDICATOR [u] [L] LED with RL1 MODULES [e][s] [Exxxx][Sxxxx] EOL + Series
---	--	--



<p><b>Circuit shown in Unoperated condition</b></p> <p><b>Unoperated condition (Glass Intact / Standby Condition)</b>          Terminals +(1) &amp; -(4) M/S 1 &amp; +(5) &amp; -(8) M/S 2 open          Terminals +(1) &amp; -(3) M/S 1 &amp; +(5) &amp; -(7) M/S 2 closed</p> <p><b>Operated condition (Glass Broken / Button pushed in)</b>          Terminals +(1) &amp; -(3) M/S 1 &amp; +(5) &amp; -(7) M/S 2 open          Terminals +(1) &amp; -(4) M/S 1 &amp; +(5) &amp; -(8) M/S 2 closed</p>	<p><b>Circuit shown in Unoperated condition</b></p> <p><b>Unoperated condition (Glass Intact / Standby Condition)</b>          Terminals +(1) &amp; -(4) M/S 1 &amp; +(5) &amp; -(8) M/S 2 open          Terminals +(1) &amp; -(3) M/S 1 &amp; +(5) &amp; -(7) M/S 2 closed</p> <p><b>Operated condition (Glass Broken / Button pushed in)</b>          Terminals +(1) &amp; -(3) M/S 1 &amp; +(5) &amp; -(7) M/S 2 open          Terminals +(1) &amp; -(4) M/S 1 &amp; +(5) &amp; -(8) M/S 2 closed</p>	<p><b>Circuit shown in Unoperated condition</b></p> <p><b>Unoperated condition (Glass Intact / Standby Condition)</b>          Terminals +(1) &amp; -(4) M/S 1 &amp; +(5) &amp; -(8) M/S 2 open          Terminals +(1) &amp; -(3) M/S 1 &amp; +(5) &amp; -(7) M/S 2 closed</p> <p><b>Operated condition (Glass Broken / Button pushed in)</b>          Terminals +(1) &amp; -(3) M/S 1 &amp; +(5) &amp; -(7) M/S 2 open          Terminals +(1) &amp; -(4) M/S 1 &amp; +(5) &amp; -(8) M/S 2 closed</p>
--	--	--

# DUAL MICROSWITCHES IN PARALLEL

# SHEET 7

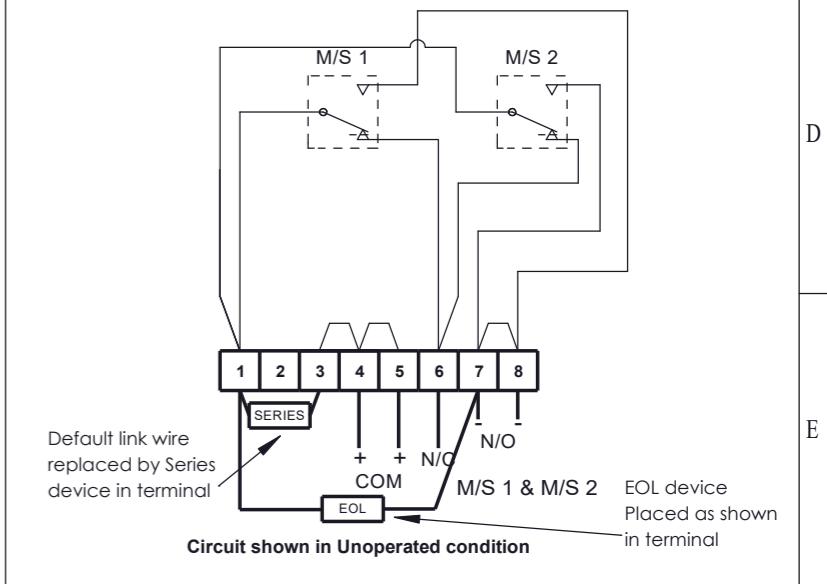
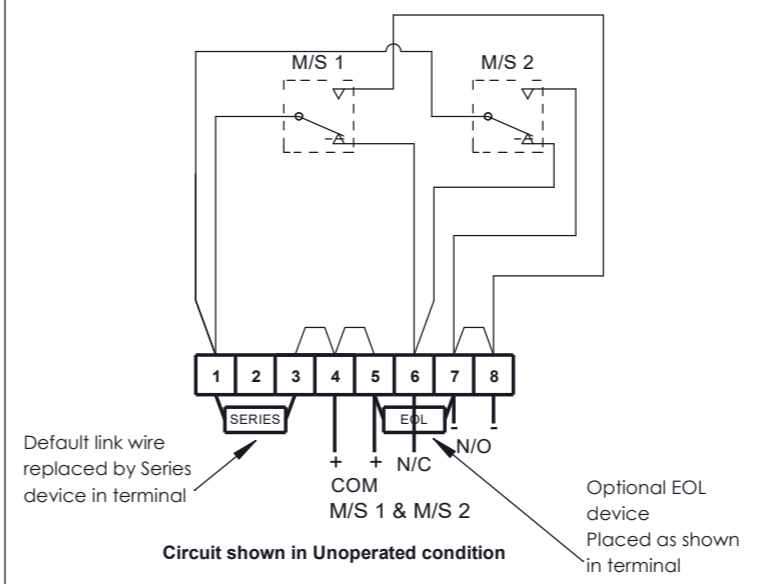
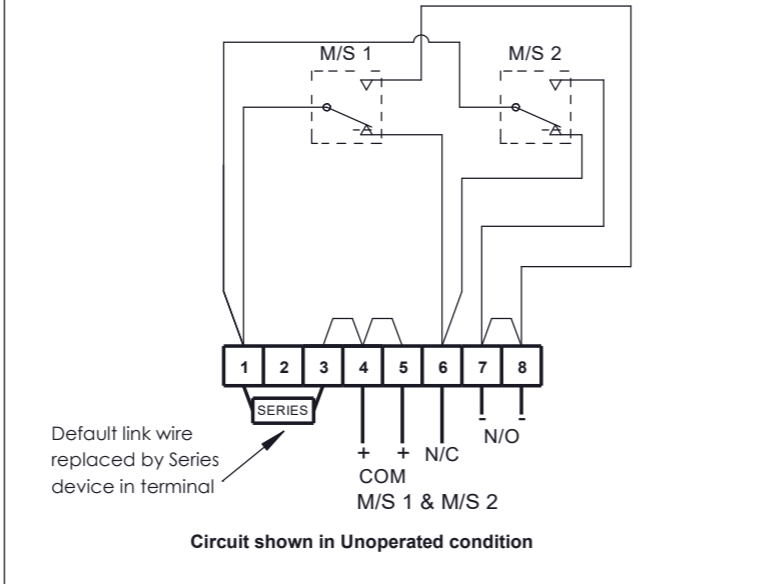
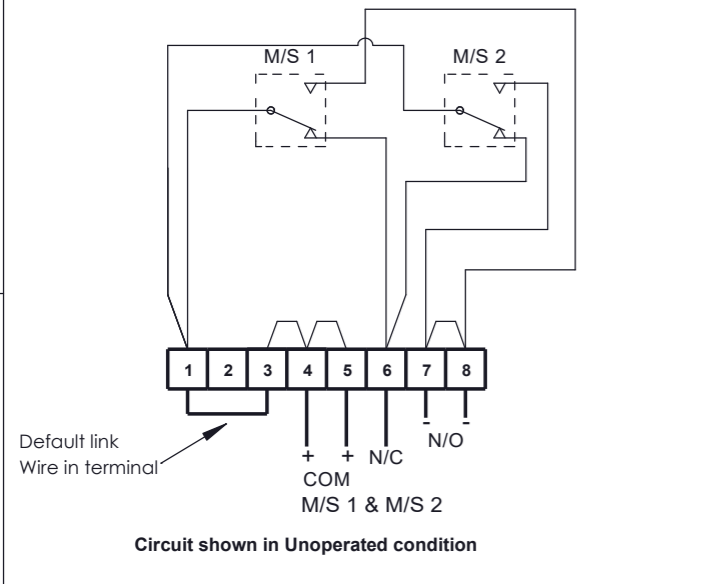
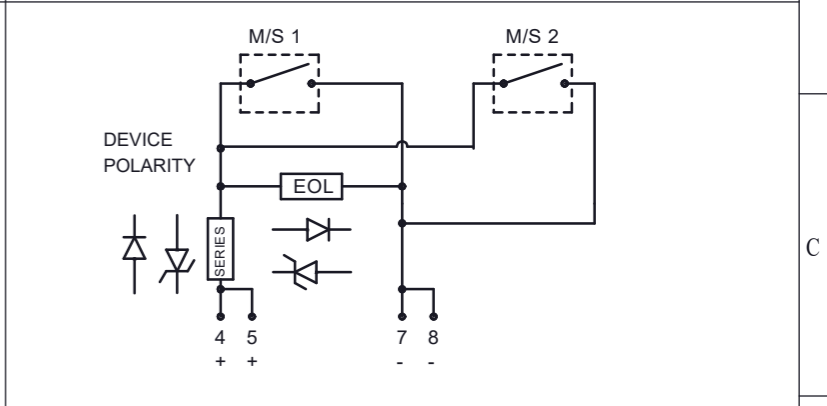
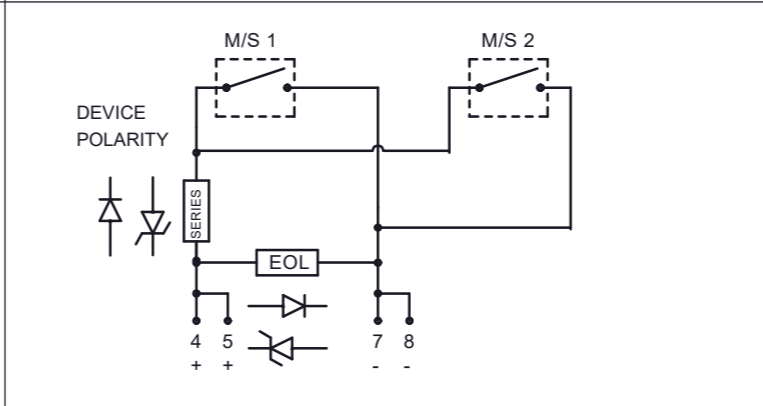
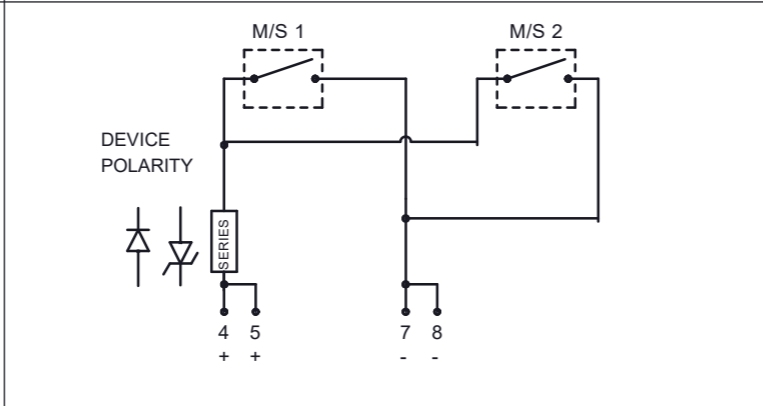
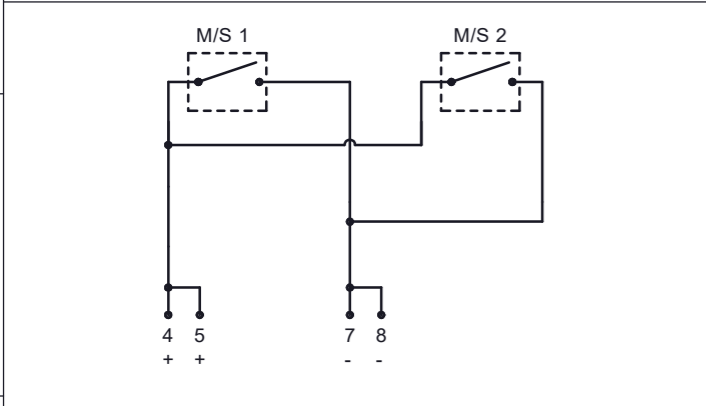
Module Device Codes		
	EOL	Series
Resistor	ExxxR	SxxxR
Diode	ED1	SD1
Zener Diode	ExxxZ	SxxxZ
LED	N/A	L or C

ISSUE	MOD No.	REASON - INITIAL - DATE
5	ACN0102	Addition of BG version : Options clarified RNP 15-04-2022
6	ACN0127	Configuration coding added and aligned with other call points. LED options added ; PCB page moved to new document. RNP 14-07-2023

Notes:  
1. Other configurations of dual switch units are possible. Contact E2S sales to discuss options.

GNEXCP7-BG[s][t][l][e][m][d][v][o][x][u]-[v][e][s] Series  
 Switch Type [s] Terminals [t] Product Version [v] Product Option [o] LED Indicator [u] EOL Module [e]

DUAL SWITCH WITH EOL DEVICE	CONFIG. D7-1	DUAL SWITCH WITH SERIES DEVICES	CONFIG. D7-2	DUAL SWITCH WITH EOL & SERIES DEVICE	CONFIG. D7-3	DUAL SWITCH WITH EOL & SERIES DEVICE	CONFIG. D7-4
SWITCH TYPE [s] [D] TERMINALS [t] [D] PRODUCT OPTION [o] [P] LED INDICATOR [u] [N]	Dual DIN Rail Parallel Wiring No LED	SWITCH TYPE [s] [D] TERMINALS [t] [D] PRODUCT OPTION [o] [P] LED INDICATOR [u] [N] SERIES MODULE [s] [Sxxxx]	Dual DIN Rail Parallel Wiring No LED Series Device	SWITCH TYPE [s] [D] TERMINALS [t] [D] PRODUCT OPTION [o] [P] LED INDICATOR [u] [N] MODULE [e][s] [Exxxx][Sxxxx]	Dual DIN Rail Parallel Wiring No LED EOL & Series Device	SWITCH TYPE [s] [D] TERMINALS [t] [D] PRODUCT OPTION [o] [V] LED INDICATOR [u] [N] MODULE [e][s] [Exxxx][Sxxxx]	Dual DIN Rail Only Alt. EOL Pos'n No LED EOL & Series Devices



**Circuit shown in Unoperated condition**

**Unoperated condition (Glass Intact / Standby Condition)**  
 Terminals +(4,5) & -(7,8) open  
 Terminals +(4,5) & (6) closed

**Operated condition (Glass Broken / Button pushed in)**  
 Terminals +(4,5) & -(7,8) closed  
 Terminals +(4,5) & (6) open

**Circuit shown in Unoperated condition**

**Unoperated condition (Glass Intact / Standby Condition)**  
 Terminals +(4,5) & -(7,8) open  
 Terminals +(4,5) & (6) closed

**Operated condition (Glass Broken / Button pushed in)**  
 Terminals +(4,5) & -(7,8) closed  
 Terminals +(4,5) & (6) open

**Circuit shown in Unoperated condition**

**Unoperated condition (Glass Intact / Standby Condition)**  
 Terminals +(4,5) & -(7,8) open  
 Terminals +(4,5) & (6) closed

**Operated condition (Glass Broken / Button pushed in)**  
 Terminals +(4,5) & -(7,8) closed  
 Terminals +(4,5) & (6) open

**Circuit shown in Unoperated condition**

**Unoperated condition (Glass Intact / Standby Condition)**  
 Terminals +(4,5) & -(7,8) open  
 Terminals +(4,5) & (6) closed

**Operated condition (Glass Broken / Button pushed in)**  
 Terminals +(4,5) & -(7,8) closed  
 Terminals +(4,5) & (6) open

DRAWING TO BS8888:2000  
 GEOMETRIC TOLERANCES TO ISO1101:1983  
 LINEAR DIMENSIONAL TOLS  
 ANGULAR DIMENSIONAL TOLS

STANDARDS  
**GNEXCP7 ; STEXCP8 ; WP7 units with DIN Rail**

DRAWN	DATE
D.HOWGILL	05-03-2020
CHECKED	DATE
R.N.POTTS	05-03-2020
APPROVED	DATE
R.N.POTTS	05-03-2020

SURFACE FINISH	WEIGHT (Kg)
MATERIAL	
ALTERNATIVE MATERIAL	

THIS DRAWING AND ANY INFORMATION OR DESCRIPTIVE MATTER THEREIN IS COMMUNICATED IN CONFIDENCE AND IS THE COPYRIGHT PROPERTY OF EUROPEAN SAFETY SYSTEMS LTD. NEITHER THE WHOLE OR ANY EXTRACT MAY BE DISCLOSED, LOANED, COPIED OR USED FOR MANUFACTURING OR TENDERING PURPOSES WITHOUT THEIR WRITTEN CONSENT.

EUROPEAN SAFETY SYSTEMS LTD.  
 AS PER LATEST DATE OF ISSUE SHOWN ABOVE

EUROPEAN SAFETY SYSTEMS LTD  
 IMPRESS HOUSE  
 MANSELL ROAD  
 ACTON  
 LONDON W3 7QH  
 WWW.E2S.COM

ALL DIMENSIONS IN MM IF IN DOUBT, ASK - DO NOT SCALE				<b>A3</b>
TITLE <b>GNEXCP7 ; STEXCP8 ; WP7 CALL POINT WIRING / CIRCUIT OPERATION DIAGRAM</b>				
SCALE	SHEET	DRAWING NUMBER		
NTS	7 OF 8	<b>D202-06-211</b>		

**DUAL MICROSWITCHES IN PARALLEL, LED & DEVICES**

**SHEET 8**

Notes:  
1. Units have the option to remove the LED current-limiting resistor RL1 option 'L' using LED option 'C'. In all other cases shown RL1 is included.

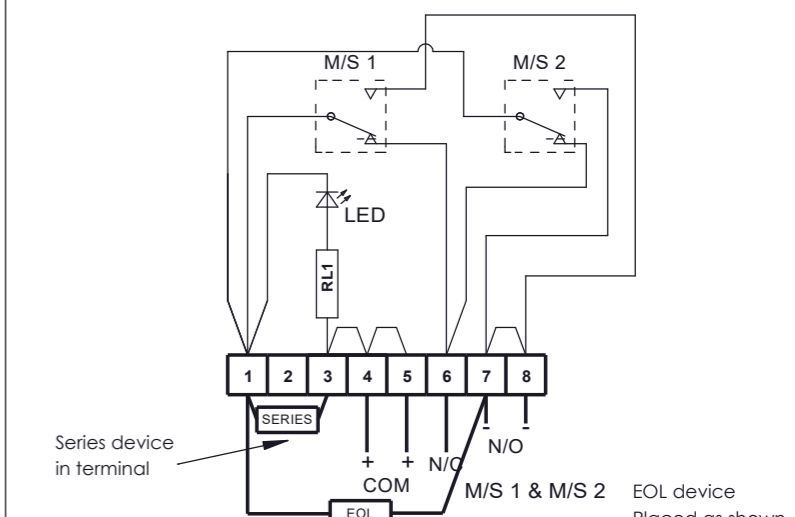
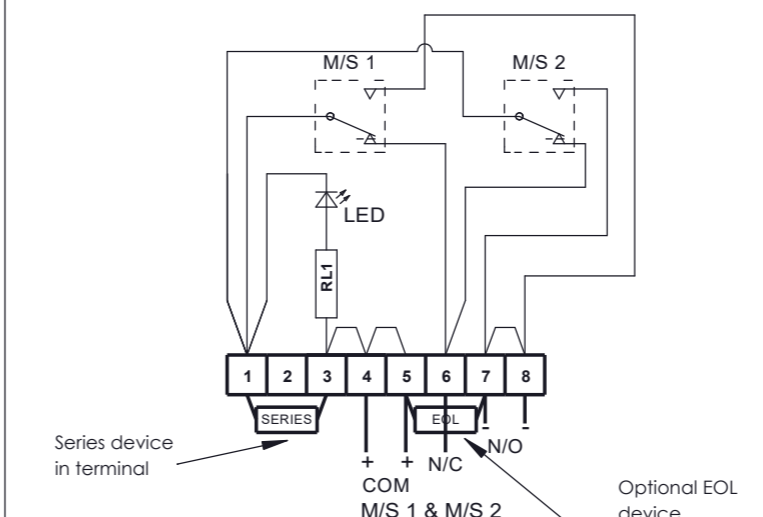
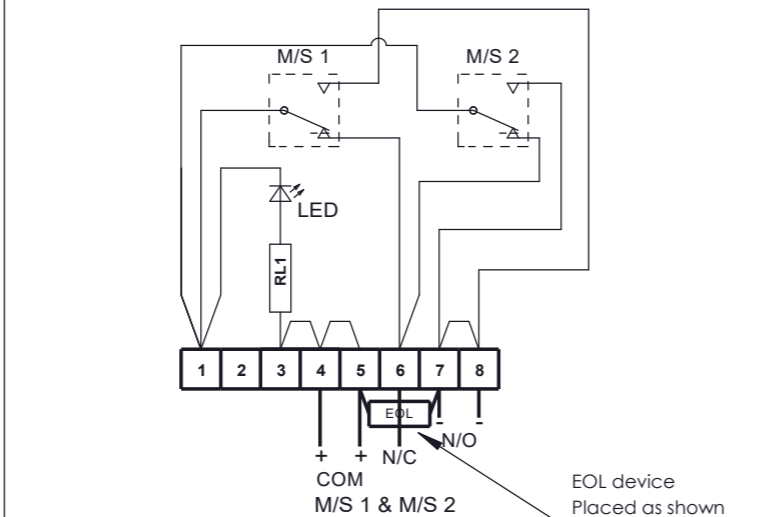
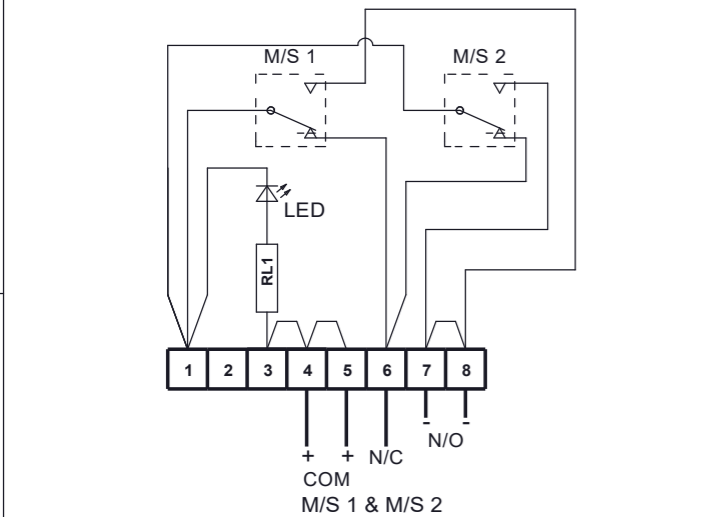
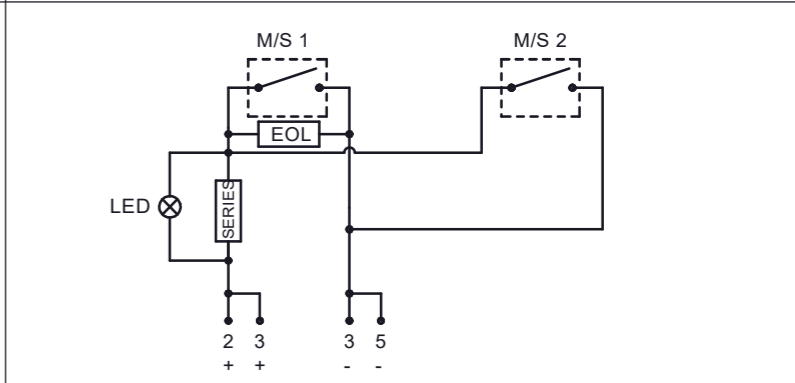
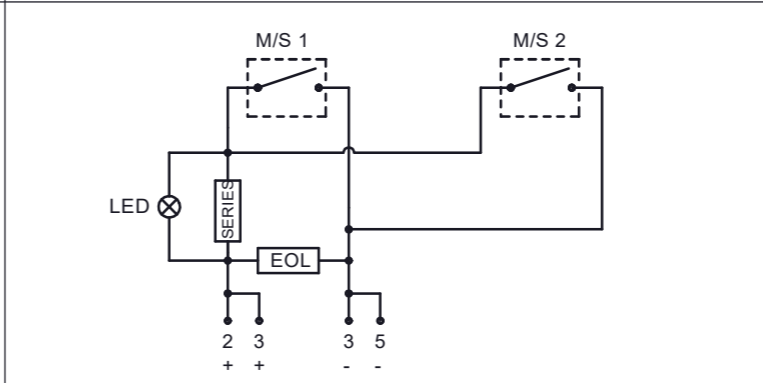
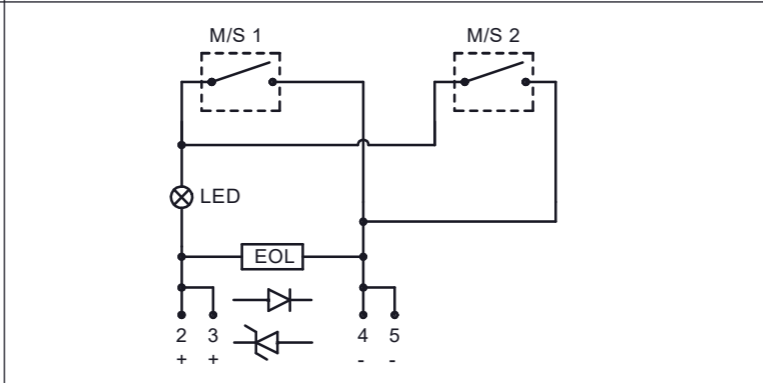
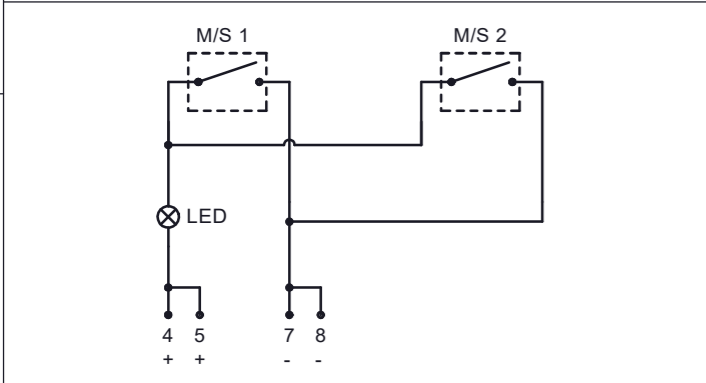
GNEXCP7-BG[s][t][l][e][m][d][v][o][x][u]-[v][e][s] Series  
 Switch Type [s] Terminals [t] Product Version [v] Product Option [o] LED Indicator [u] EOL Module [e]

Module Device Codes		
	EOL	Series
Resistor	ExxxR	SxxxR
Diode	ED1	SD1
Zener Diode	ExxxZ	SxxxZ
LED	N/A	L or C

ISSUE	MOD No.	REASON - INITIAL - DATE
5	ACN0102	Addition of BG version : Options clarified RNP 15-04-2022
6	ACN0127	Configuration coding added and aligned with other call points. LED options added : PCB page moved to new document. RNP 14-07-2023

DUAL SWITCH WITH LED	CONFIG. D8-1	DUAL SWITCH WITH LED & EOL DEVICE	CONFIG. D8-2	DUAL SWITCH WITH EOL & SERIES DEVICE	CONFIG. D8-3	DUAL SWITCH WITH EOL & SERIES DEVICE	CONFIG. D8-4
----------------------	--------------	-----------------------------------	--------------	--------------------------------------	--------------	--------------------------------------	--------------

SWITCH TYPE [s] [D] TERMINALS [t] [D] PRODUCT OPTION [o] [P] LED INDICATOR [u] [L]	Dual DIN Rail Parallel Wiring LED with RL1	SWITCH TYPE [s] [D] TERMINALS [t] [D] PRODUCT OPTION [o] [P] LED INDICATOR [u] [L] EOL MODULE [e] [Exxxx]	Dual DIN Rail Parallel Wiring LED with RL1 EOL Device	SWITCH TYPE [s] [D] TERMINALS [t] [D] PRODUCT OPTION [o] [P] LED INDICATOR [u] [L] MODULE [e][s] [Exxxx][Sxxxx]	Dual DIN Rail Only Parallel Wiring LED with RL1 EOL + Series	SWITCH TYPE [s] [D] TERMINALS [t] [D] PRODUCT OPTION [o] [V] LED INDICATOR [u] [L] MODULE [e][s] [Exxxx][Sxxxx]	Dual DIN Rail Only Parallel Wiring Alt. EOL LED with RL1 EOL + Series
---	---	---	---	---	--	---	---



**Circuit shown in Unoperated condition**

**Unoperated condition (Glass Intact / Standby Condition)**  
 Terminals +(4,5) & -(7,8) open  
 Terminals +(4,5) & (6) closed

**Operated condition (Glass Broken / Button pushed in)**  
 Terminals +(4,5) & -(7,8) closed  
 Terminals +(4,5) & (6) open

**Circuit shown in Unoperated condition**

**Unoperated condition (Glass Intact / Standby Condition)**  
 Terminals +(4,5) & -(7,8) open  
 Terminals +(4,5) & (6) closed

**Operated condition (Glass Broken / Button pushed in)**  
 Terminals +(4,5) & -(7,8) closed  
 Terminals +(4,5) & (6) open

**Circuit shown in Unoperated condition**

**Unoperated condition (Glass Intact / Standby Condition)**  
 Terminals +(4,5) & -(7,8) open  
 Terminals +(4,5) & (6) closed

**Operated condition (Glass Broken / Button pushed in)**  
 Terminals +(4,5) & -(7,8) closed  
 Terminals +(4,5) & (6) open

**Circuit shown in Unoperated condition**

**Unoperated condition (Glass Intact / Standby Condition)**  
 Terminals +(4,5) & -(7,8) open  
 Terminals +(4,5) & (6) closed

**Operated condition (Glass Broken / Button pushed in)**  
 Terminals +(4,5) & -(7,8) closed  
 Terminals +(4,5) & (6) open

DRAWING TO BS8888:2000  
 GEOMETRIC TOLERANCES TO ISO1101:1983  
 LINEAR DIMENSIONAL TOLS  
 ANGULAR DIMENSIONAL TOLS

STANDARDS  
**GNExCP7 ; STExCP8 ; WP7 units with DIN Rail**

DRAWN	DATE
D.HOWGILL	05-03-2020
CHECKED	DATE
R.N.POTTS	05-03-2020
APPROVED	DATE
R.N.POTTS	05-03-2020

SURFACE FINISH	WEIGHT (Kg)
MATERIAL	
ALTERNATIVE MATERIAL	

THIS DRAWING AND ANY INFORMATION OR DESCRIPTIVE MATTER THEREIN IS COMMUNICATED IN CONFIDENCE AND IS THE COPYRIGHT PROPERTY OF EUROPEAN SAFETY SYSTEMS LTD. NEITHER THE WHOLE OR ANY EXTRACT MAY BE DISCLOSED, LOANED, COPIED OR USED FOR MANUFACTURING OR TENDERING PURPOSES WITHOUT THEIR WRITTEN CONSENT.

EUROPEAN SAFETY SYSTEMS LTD.  
 AS PER LATEST DATE OF ISSUE SHOWN ABOVE

**e2S**  
 warning signals

EUROPEAN SAFETY SYSTEMS LTD  
 IMPRESS HOUSE  
 MANSELL ROAD  
 ACTON  
 LONDON W3 7QH  
 WWW.E2S.COM

ALL DIMENSIONS IN MM  
 IF IN DOUBT, ASK - DO NOT SCALE

TITLE **GNExCP7 ; STExCP8 ; WP7 CALL POINT WIRING / CIRCUIT OPERATION DIAGRAM**

SCALE	SHEET	DRAWING NUMBER
NTS	8 OF 8	<b>D202-06-211</b>