

SINGLE MICROSWITCH DEVICES

SHEET 1

PRODUCTS:
GNExCP7, STExCP8
& WP7

Diagram	Sheet
Dual Switch Wiring Configurations	2,3,5,6,7,8
LED Indicator Wiring Configurations	4,5,6,8
Parallel Dual Switch Wiring Configurations	7,8

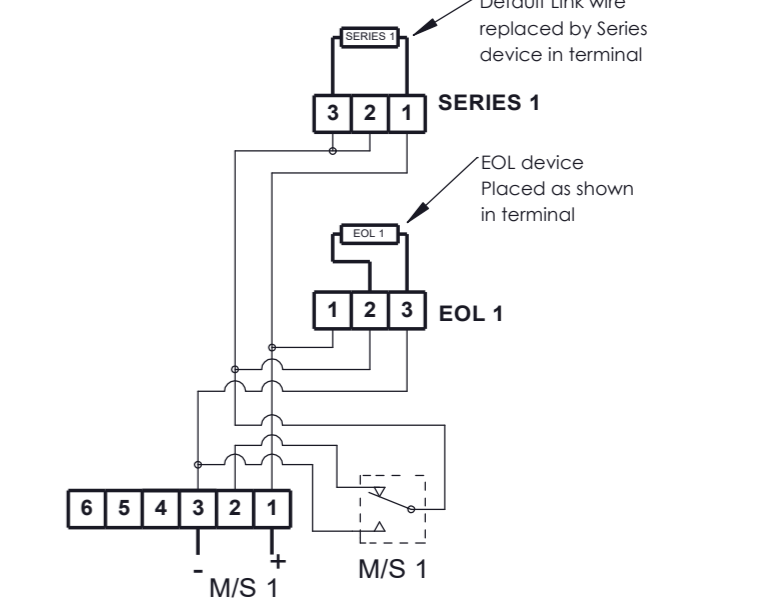
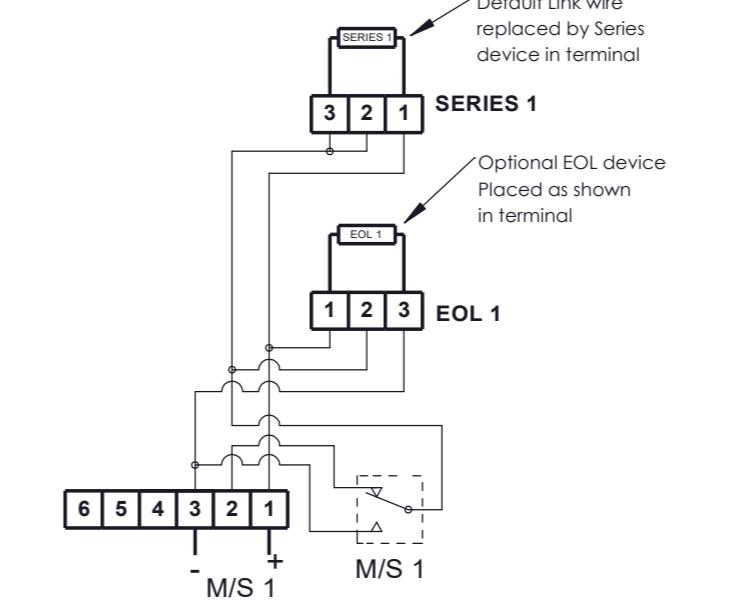
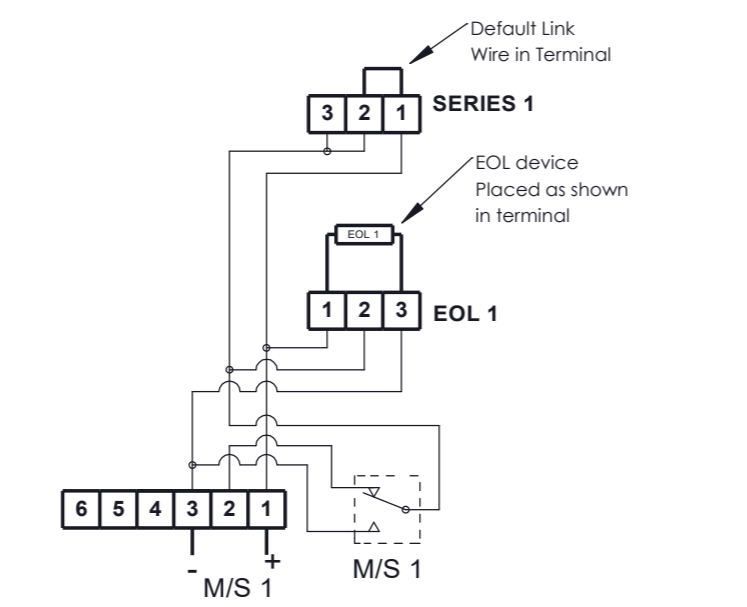
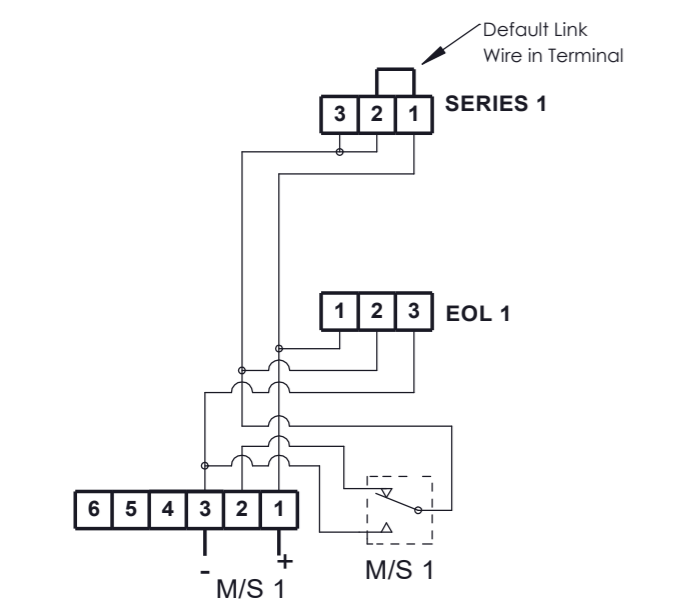
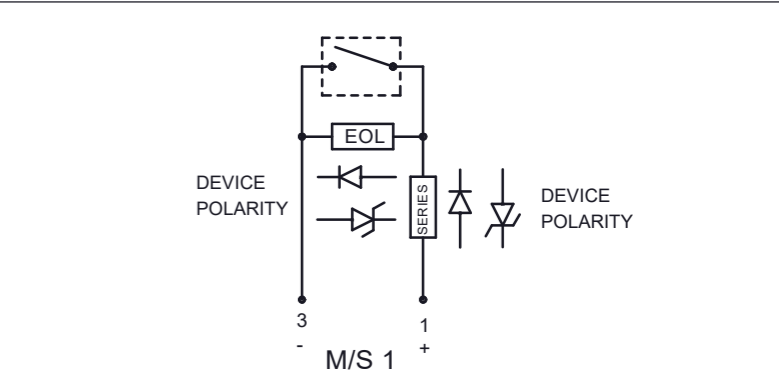
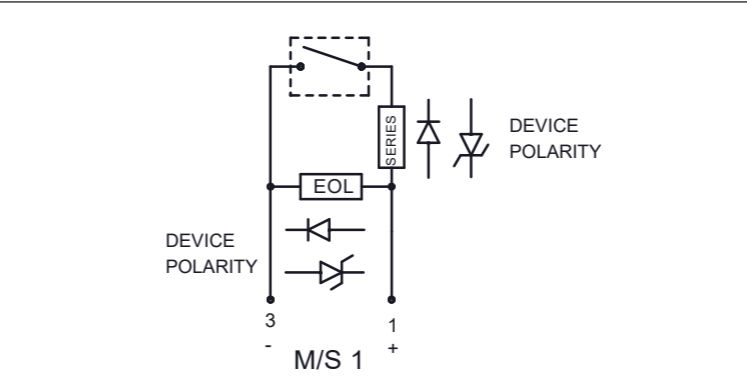
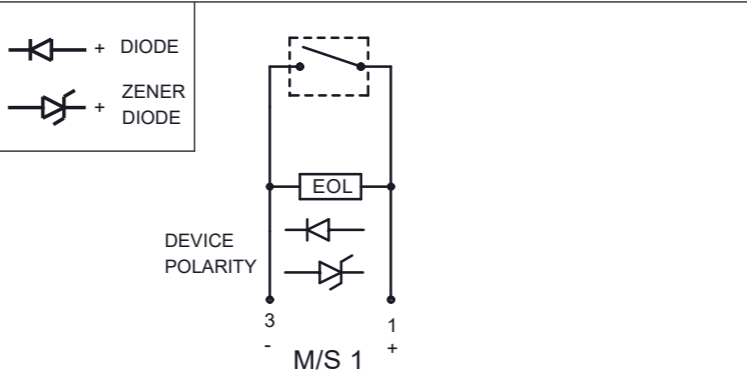
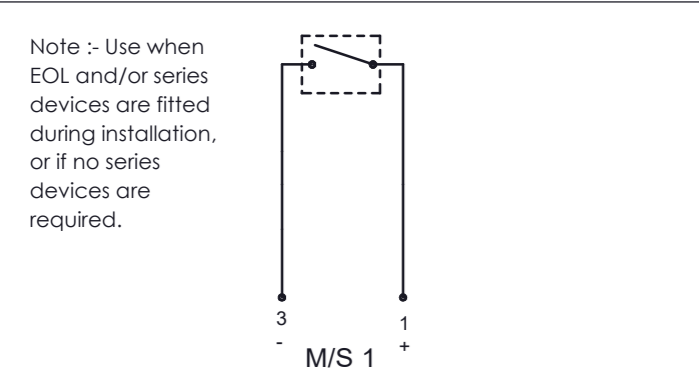
GNEXCP7-BG[s][t][l][e][m][d][v][o][x]-[u][e][s]
 Switch Type [s] Terminals [t] Product Version [v] Product Option [o] LED Indicator [u] Series Module [s] EOL Module [e]

Module Device Codes		
	EOL	Series
Resistor	ExxxR	SxxxR
Diode	ED1	SD1
Zener Diode	ExxxZ	SxxxZ
LED	N/A	L or C

ISSUE	MOD No.	REASON - INITIAL - DATE
1	ACN0127	Addition of LED version ; Options clarified RNP 20-08-2023

SINGLE SWITCH	CONFIG. P1 -1	SINGLE SWITCH WITH SERIES DEVICE	CONFIG. P1-2	SINGLE SWITCH WITH EOL & SERIES DEVICES	CONFIG. P1-3	SINGLE SWITCH WITH EOL & ALT SERIES DEVICES	CONFIG. P1-4
---------------	---------------	----------------------------------	--------------	---	--------------	---	--------------

SWITCH TYPE [s] [S] TERMINALS [t] [P] PRODUCT OPTION [o] [1] LED INDICATOR [u] [N]	Single PCB Version Default NO LED	SWITCH TYPE [s] [S] TERMINALS [t] [P] PRODUCT OPTION [o] [1] LED INDICATOR [u] [N] EOL MODULE [e] [Exxxx]	Single PCB Version Default NO LED EOL Device	SWITCH TYPE [s] [S] TERMINALS [t] [P] PRODUCT OPTION [o] [1] LED INDICATOR [u] [N] MODULES [e][s] [Exxxx][Sxxxx]	Single PCB Version Default NO LED EOL + Series	SWITCH TYPE [s] [S] TERMINALS [t] [P] PRODUCT OPTION [o] [W] LED INDICATOR [u] [N] MODULE [e][s] [Exxxx][Sxxxx]	Single PCB Version Alt. EOL Pos'n. NO LED EOL + Series
---	---	---	---	--	---	---	---



Circuit as shown in Unoperated condition

Unoperated Condition (Glass Intact / Standby Condition)
 Terminals +(1) & -(3) M/S 1 open
 Terminals +(1) & (2) M/S 1 closed

Operated Condition (Glass Broken / Button pushes in)
 Terminals +(1) & (2) M/S 1 open
 Terminals +(1) & -(3) M/S 1 closed

Circuit as shown in Unoperated condition

Unoperated Condition (Glass Intact / Standby Condition)
 Terminals +(1) & -(3) M/S 1 open
 Terminals +(1) & (2) M/S 1 closed

Operated Condition (Glass Broken / Button pushes in)
 Terminals +(1) & (2) M/S 1 open
 Terminals +(1) & -(3) M/S 1 closed

Circuit as shown in Unoperated condition

Unoperated Condition (Glass Intact / Standby Condition)
 Terminals +(1) & -(3) M/S 1 open
 Terminals +(1) & (2) M/S 1 closed

Operated Condition (Glass Broken / Button pushes in)
 Terminals +(1) & (2) M/S 1 open
 Terminals +(1) & -(3) M/S 1 closed

Circuit as shown in Unoperated condition

Unoperated Condition (Glass Intact / Standby Condition)
 Terminals +(1) & -(3) M/S 1 open
 Terminals +(1) & (2) M/S 1 closed

Operated Condition (Glass Broken / Button pushes in)
 Terminals +(1) & (2) M/S 1 open
 Terminals +(1) & -(3) M/S 1 closed

DRAWING TO BS8888:2000
 GEOMETRIC TOLERANCES TO ISO1101:1983
 LINEAR DIMENSIONAL TOLS
 ANGULAR DIMENSIONAL TOLS

STANDARDS
GNExCP7 ; STExCP8 ; WP7 units with PCB

DRAWN	DATE
R.N.POTTS	20-08-2023
CHECKED	DATE
B.ISARD	20-08-2023
APPROVED	DATE
R.N.POTTS	20-08-2023

SURFACE FINISH	WEIGHT (Kg)
MATERIAL	
ALTERNATIVE MATERIAL	

THIS DRAWING AND ANY INFORMATION OR DESCRIPTIVE MATTER THEREIN IS COMMUNICATED IN CONFIDENCE AND IS THE COPYRIGHT PROPERTY OF EUROPEAN SAFETY SYSTEMS LTD. NEITHER THE WHOLE OR ANY EXTRACT MAY BE DISCLOSED, LOANED, COPIED OR USED FOR MANUFACTURING OR TENDERING PURPOSES WITHOUT THEIR WRITTEN CONSENT.

© EUROPEAN SAFETY SYSTEMS LTD. AS PER LATEST DATE OF ISSUE SHOWN ABOVE

EUROPEAN SAFETY SYSTEMS LTD
 IMPRESS HOUSE
 MANSELL ROAD
 ACTON
 LONDON W3 7QH
 WWW.E2S.COM

ALL DIMENSIONS IN MM IF IN DOUBT, ASK - DO NOT SCALE		
TITLE GNExCP7 ; STExCP8 ; WP7 CALL POINT WIRING / CIRCUIT OPERATION DIAGRAM		A3
SCALE NTS	SHEET 1 OF 8	DRAWING NUMBER D202-06-212

DUAL MICROSWITCH DEVICES

SHEET 2

GNEXCP7-BG[s][t][l][e][m][d][v][o][x]-[u][e][s] Series Module [s]
 Switch Type [s] Terminals [t] Product Version [v] Product Option [o] LED Indicator [u] EOL Module [e]

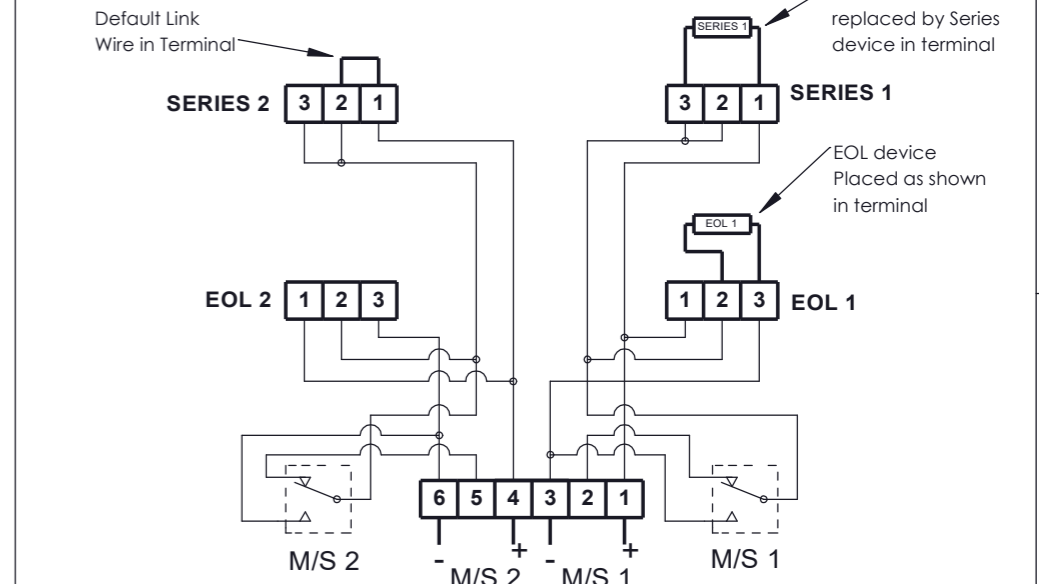
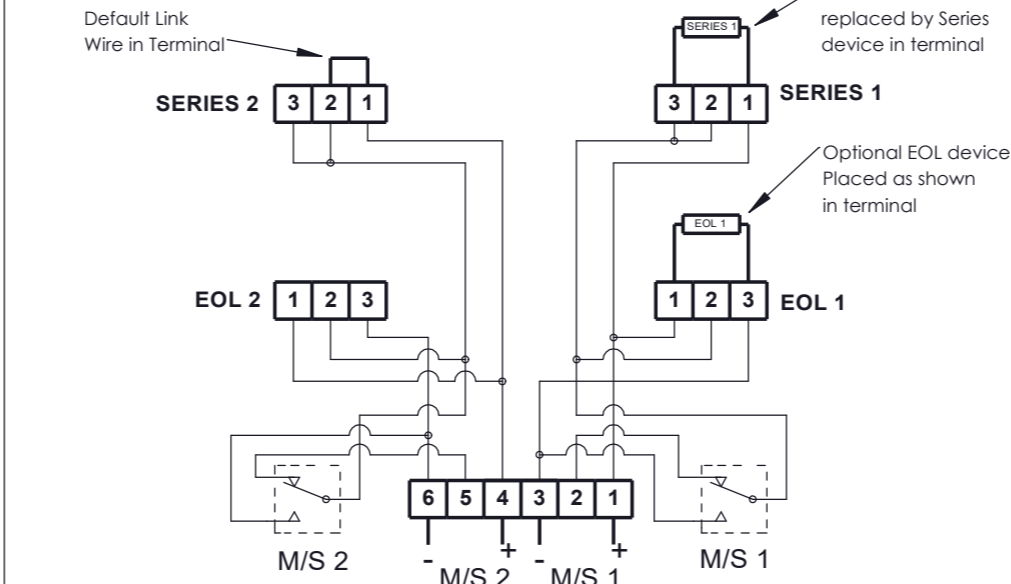
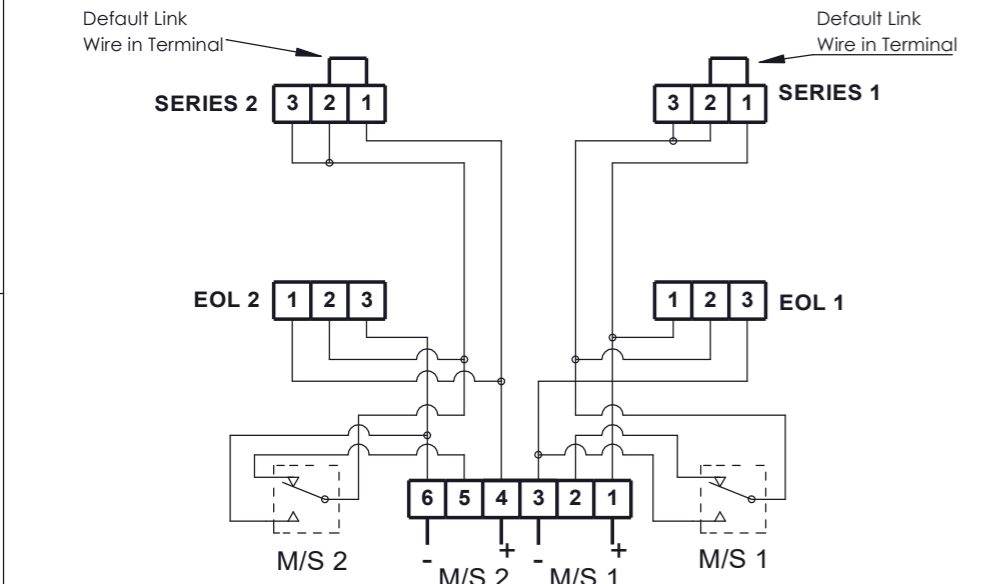
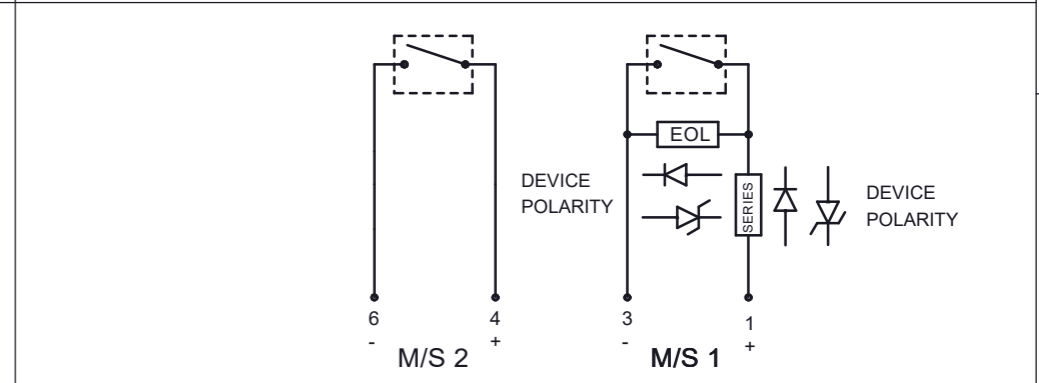
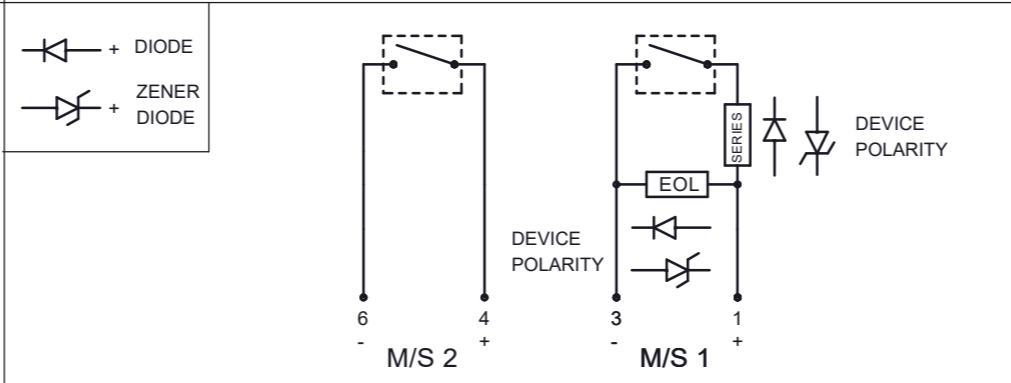
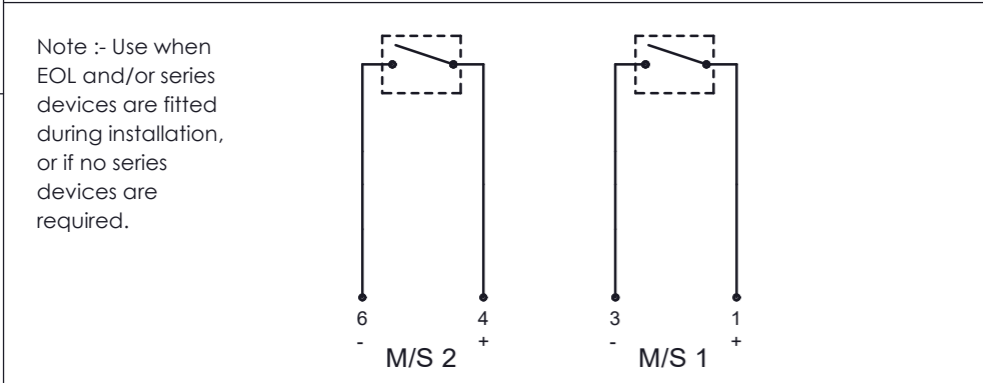
Module Device Codes		
	EOL	Series
Resistor	ExxxR	SxxxR
Diode	ED1	SD1
Zener Diode	ExxxZ	SxxxZ
LED	N/A	L or C

ISSUE	MOD No.	REASON - INITIAL - DATE
1	ACN0127	INTRODUCTION RNP 20-08-2023

Notes:
 1. Other configurations of dual switch units are possible. Contact E2S sales to discuss options.

DUAL SWITCH	CONFIG. P2-1	DUAL SWITCH WITH EOL & SERIES DEVICES	CONFIG. P2-2	DUAL SWITCH WITH EOL & ALT. SERIES DEVICES	CONFIG. P2-3
-------------	--------------	---------------------------------------	--------------	--	--------------

SWITCH TYPE [s] [D] TERMINALS [t] [P] PRODUCT OPTION [o] [1] LED INDICATOR [u] [N]	Dual PCB Version Default NO LED	SWITCH TYPE [s] [D] TERMINALS [t] [P] PRODUCT OPTION [o] [1] LED INDICATOR [u] [N] MODULES [e][s] [Exxxx][Sxxxx]	Dual PCB Version Default No LED EOL + Series	SWITCH TYPE [s] [D] TERMINALS [t] [P] PRODUCT OPTION [o] [W] LED INDICATOR [u] [N] MODULES [e][s] [Exxxx][Sxxxx]	Dual PCB Version Alt. EOL Pos'n. No LED EOL + Series
---	---------------------------------------	--	---	--	---



Circuit as shown in Unoperated condition

Unoperated Condition (Glass Intact / Standby Condition)
 Terminals +(1) & -(3) M/S 1 and +(4) & -(6) M/S 2 open
 Terminals +(1) & (2) M/S 1 and +(4) & (5) M/S 2 closed

Operated Condition (Glass Broken / Button pushes in)
 Terminals +(1) & (2) M/S 1 and +(4) & (5) M/S 2 open
 Terminals +(1) & -(3) M/S 1 and +(4) & -(6) M/S 2 closed

Circuit as shown in Unoperated condition

Unoperated Condition (Glass Intact / Standby Condition)
 Terminals +(1) & -(3) M/S 1 and +(4) & -(6) M/S 2 open
 Terminals +(1) & (2) M/S 1 and +(4) & (5) M/S 2 closed

Operated Condition (Glass Broken / Button pushes in)
 Terminals +(1) & (2) M/S 1 and +(4) & (5) M/S 2 open
 Terminals +(1) & -(3) M/S 1 and +(4) & -(6) M/S 2 closed

Circuit as shown in Unoperated condition

Unoperated Condition (Glass Intact / Standby Condition)
 Terminals +(1) & -(3) M/S 1 and +(4) & -(6) M/S 2 open
 Terminals +(1) & (2) M/S 1 and +(4) & (5) M/S 2 closed

Operated Condition (Glass Broken / Button pushes in)
 Terminals +(1) & (2) M/S 1 and +(4) & (5) M/S 2 open
 Terminals +(1) & -(3) M/S 1 and +(4) & -(6) M/S 2 closed

DRAWING TO BS8888:2000
 GEOMETRIC TOLERANCES TO ISO1101:1983
 LINEAR DIMENSIONAL TOLS
 ANGULAR DIMENSIONAL TOLS

STANDARDS
GNExCP7 ; STExCP8 ; WP7 units with PCB

DRAWN	R.N.POTTS	DATE	20-08-2023
CHECKED	B.ISARD	DATE	20-08-2023
APPROVED	R.N.POTTS	DATE	20-08-2023

SURFACE FINISH	WEIGHT (Kg)
MATERIAL	
ALTERNATIVE MATERIAL	

THIS DRAWING AND ANY INFORMATION OR DESCRIPTIVE MATTER THEREIN IS COMMUNICATED IN CONFIDENCE AND IS THE COPYRIGHT PROPERTY OF EUROPEAN SAFETY SYSTEMS LTD. NEITHER THE WHOLE OR ANY EXTRACT MAY BE DISCLOSED, LOANED, COPIED OR USED FOR MANUFACTURING OR TENDERING PURPOSES WITHOUT THEIR WRITTEN CONSENT.

© EUROPEAN SAFETY SYSTEMS LTD. AS PER LATEST DATE OF ISSUE SHOWN ABOVE

EUROPEAN SAFETY SYSTEMS LTD
 IMPRESS HOUSE
 MANSELL ROAD
 ACTON
 LONDON W3 7QH
 WWW.E2S.COM

ALL DIMENSIONS IN MM IF IN DOUBT, ASK - DO NOT SCALE				A3
TITLE GNExCP7 ; STExCP8 ; WP7 CALL POINT WIRING / CIRCUIT OPERATION DIAGRAM				
SCALE	SHEET	DRAWING NUMBER		
NTS	2 OF 8	D202-06-212		

DUAL MICROSWITCH DEVICES DUPLICATED

SHEET 3

GNEXCP7-BG[s][t][l][e][m][d][v][o][x]-[u][e][s] LED Indicator [u]
 Switch Type [s] Product Version [v] Product Option [o] EOL Module [e]
 Terminals [t] Series Module [s]

Module Device Codes		
	EOL	Series
Resistor	ExxxR	SxxxR
Diode	ED1	SD1
Zener Diode	ExxxZ	SxxxZ
LED	N/A	L or C

ISSUE	MOD No.	REASON - INITIAL - DATE
1	ACN0127	INTRODUCTION RNP 20-08-2023

Notes:
 1. Other configurations of dual switch units are possible. Contact E2S sales to discuss options.

DUAL SWITCH WITH EOL & SERIES DEVICES DUPLICATED

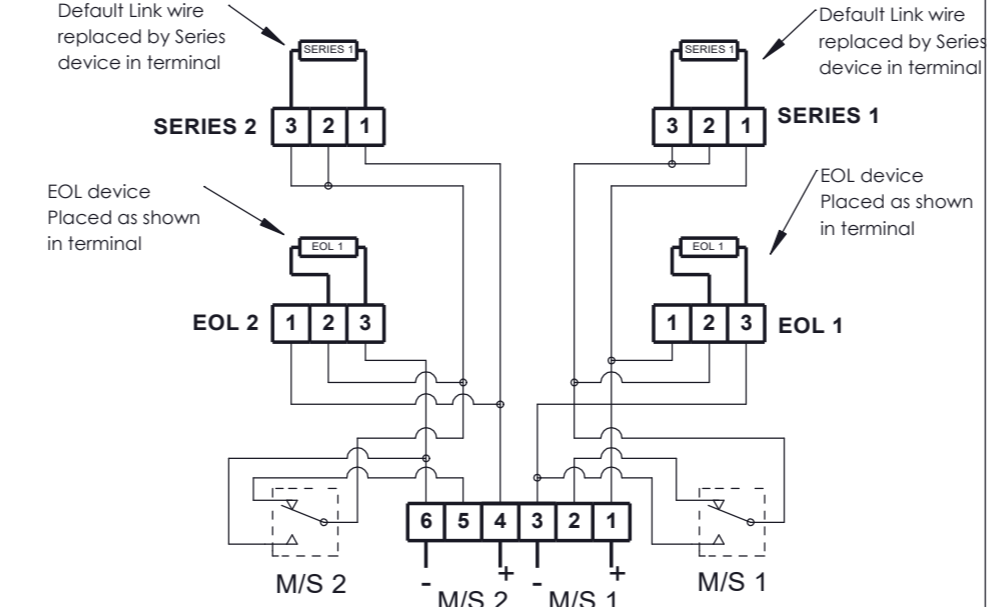
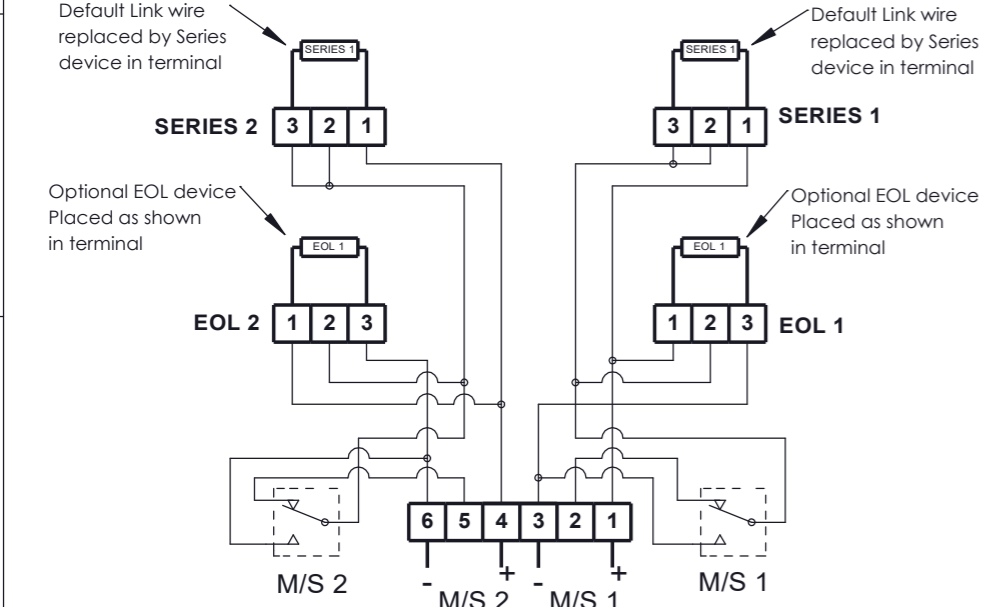
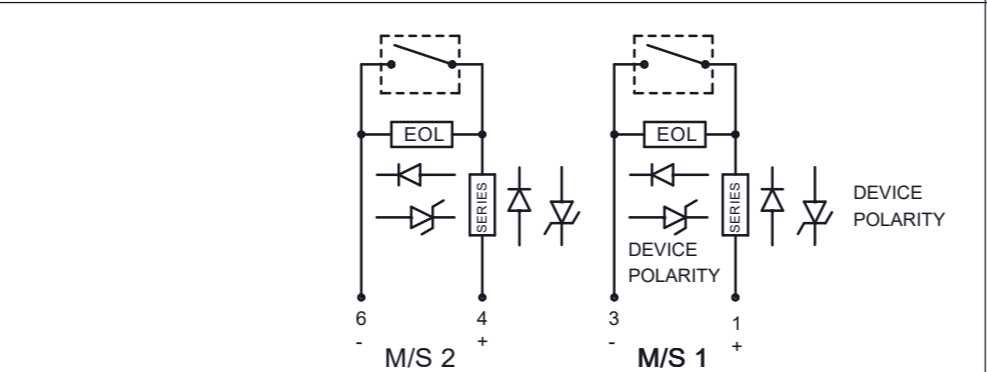
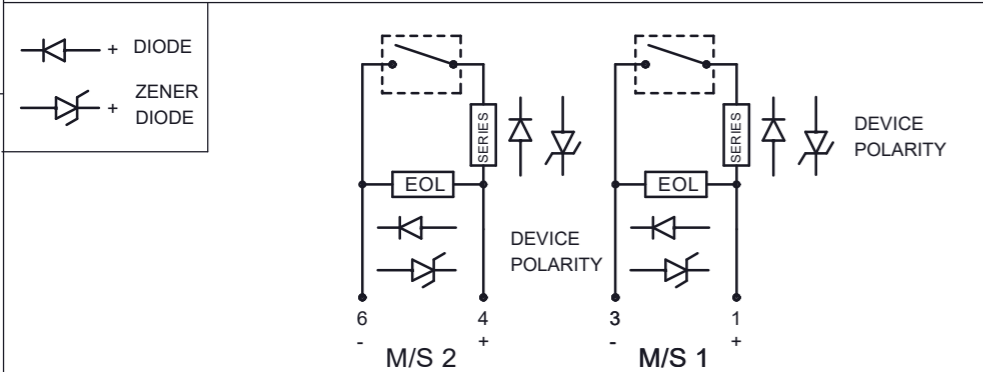
CONFIG. P3-1

DUAL SWITCH WITH EOL & ALT. SERIES DEVICES DUPLICATED

CONFIG. P3-2

SWITCH TYPE [s] [D] Dual
 TERMINALS [t] [P] PCB Version
 PRODUCT OPTION [o] [2] Duplicate EOL/Series
 LED INDICATOR [u] [N] No LED
 MODULES [e][s] [Exxxx][Sxxxx] EOL + Series

SWITCH TYPE [s] [D] Dual
 TERMINALS [t] [P] PCB Version
 PRODUCT OPTION [o] [Y] Alt. EOL Pos'n, duplicated
 LED INDICATOR [u] [N] No LED
 MODULES [e][s] [Exxxx][Sxxxx] EOL + Series



Circuit as shown in Unoperated condition

Unoperated Condition (Glass Intact / Standby Condition)
 Terminals +(1) & -(3) M/S 1 and +(4) & -(6) M/S 2 open
 Terminals +(1) & (2) M/S 1 and +(4) & (5) M/S 2 closed

Operated Condition (Glass Broken / Button pushes in)
 Terminals +(1) & (2) M/S 1 and +(4) & (5) M/S 2 open
 Terminals +(1) & -(3) M/S 1 and +(4) & -(6) M/S 2 closed

Circuit as shown in Unoperated condition

Unoperated Condition (Glass Intact / Standby Condition)
 Terminals +(1) & -(3) M/S 1 and +(4) & -(6) M/S 2 open
 Terminals +(1) & (2) M/S 1 and +(4) & (5) M/S 2 closed

Operated Condition (Glass Broken / Button pushes in)
 Terminals +(1) & (2) M/S 1 and +(4) & (5) M/S 2 open
 Terminals +(1) & -(3) M/S 1 and +(4) & -(6) M/S 2 closed

DRAWING TO BS8888:2000
 GEOMETRIC TOLERANCES TO ISO1101:1983
 LINEAR DIMENSIONAL TOLS
 ANGULAR DIMENSIONAL TOLS

STANDARDS
GNEXCP7 ; STExCP8 ; WP7 units with PCB

DRAWN	R.N.POTTS	DATE	20-08-2023
CHECKED	B.ISARD	DATE	20-08-2023
APPROVED	R.N.POTTS	DATE	20-08-2023

SURFACE FINISH	WEIGHT (Kg)
MATERIAL	
ALTERNATIVE MATERIAL	

THIS DRAWING AND ANY INFORMATION OR DESCRIPTIVE MATTER THEREIN IS COMMUNICATED IN CONFIDENCE AND IS THE COPYRIGHT PROPERTY OF EUROPEAN SAFETY SYSTEMS LTD. NEITHER THE WHOLE OR ANY EXTRACT MAY BE DISCLOSED, LOANED, COPIED OR USED FOR MANUFACTURING OR TENDERING PURPOSES WITHOUT THEIR WRITTEN CONSENT.

EUROPEAN SAFETY SYSTEMS LTD.
 AS PER LATEST DATE OF ISSUE SHOWN ABOVE

ALL DIMENSIONS IN MM IF IN DOUBT, ASK - DO NOT SCALE				A3
TITLE GNEXCP7 ; STExCP8 ; WP7 CALL POINT WIRING / CIRCUIT OPERATION DIAGRAM				
SCALE	SHEET	DRAWING NUMBER		
NTS	3 OF 8	D202-06-212		

SINGLE MICROSWITCH LED DEVICES

SHEET 4

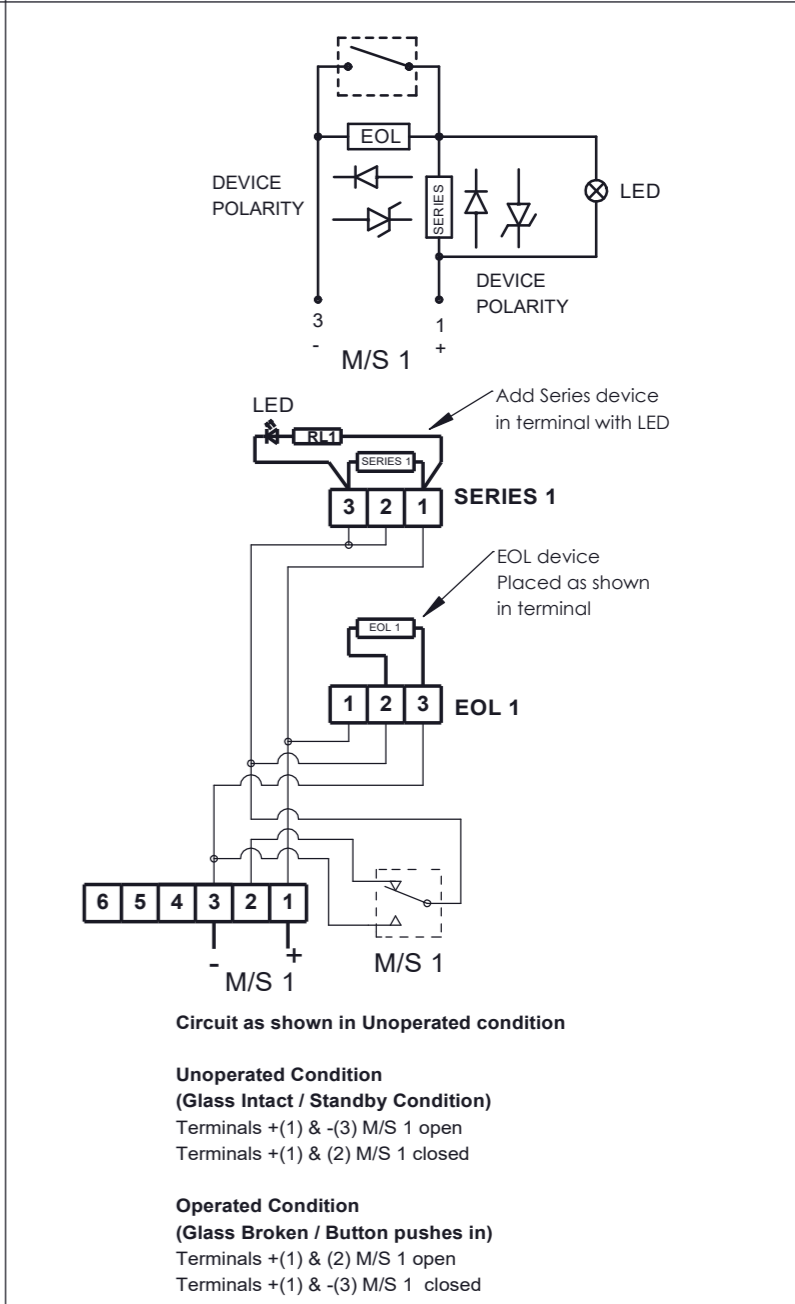
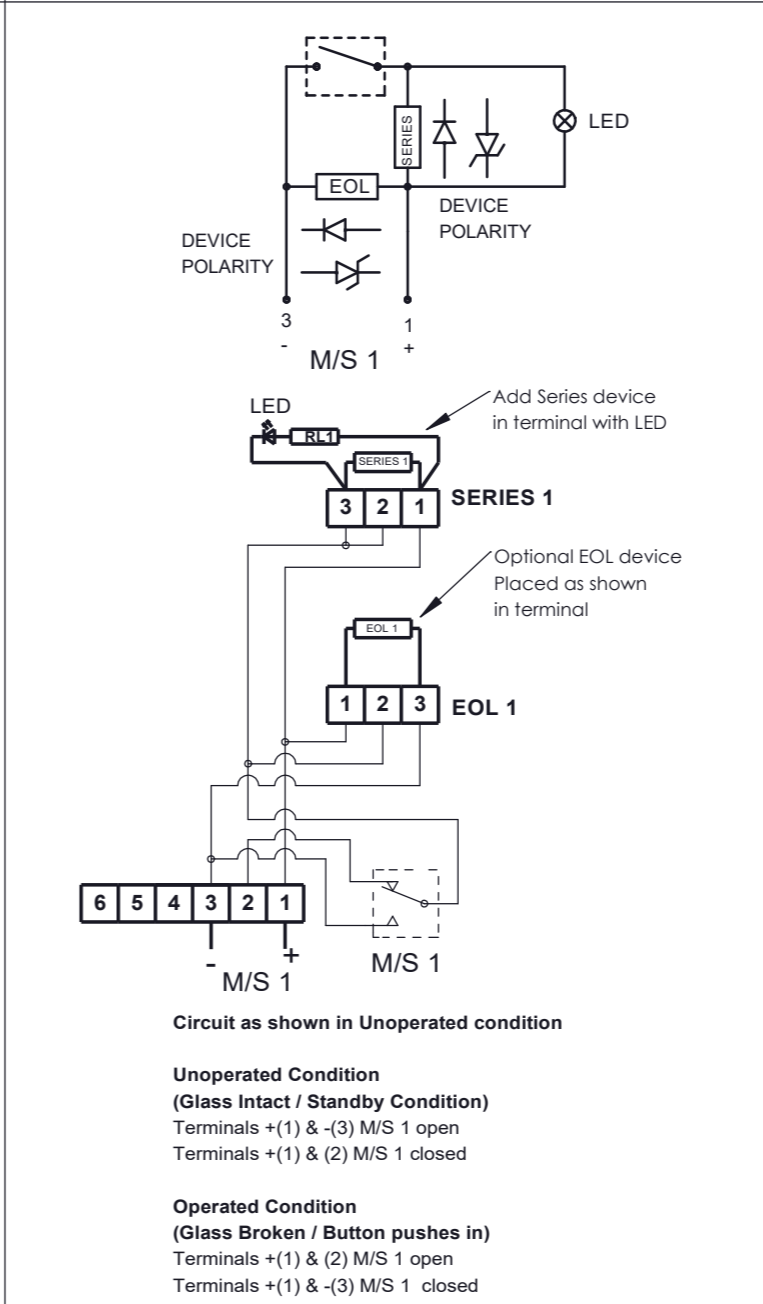
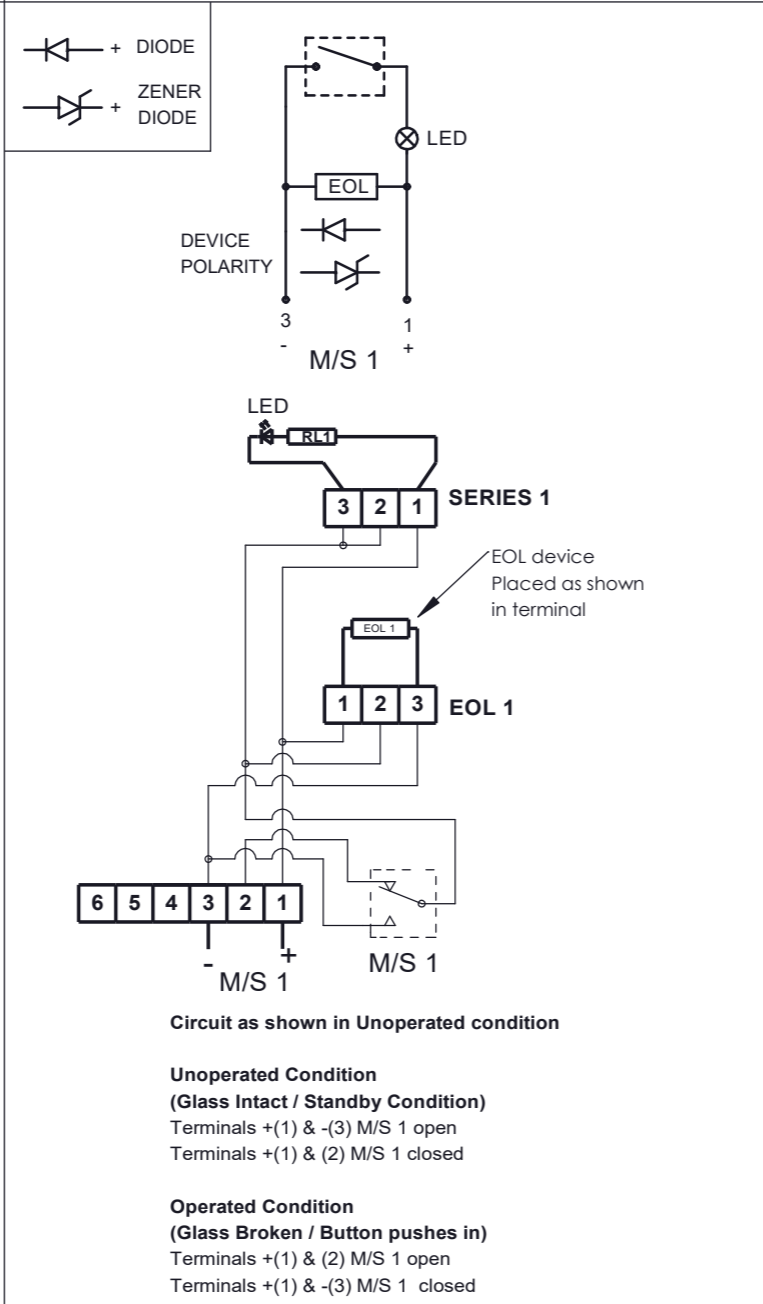
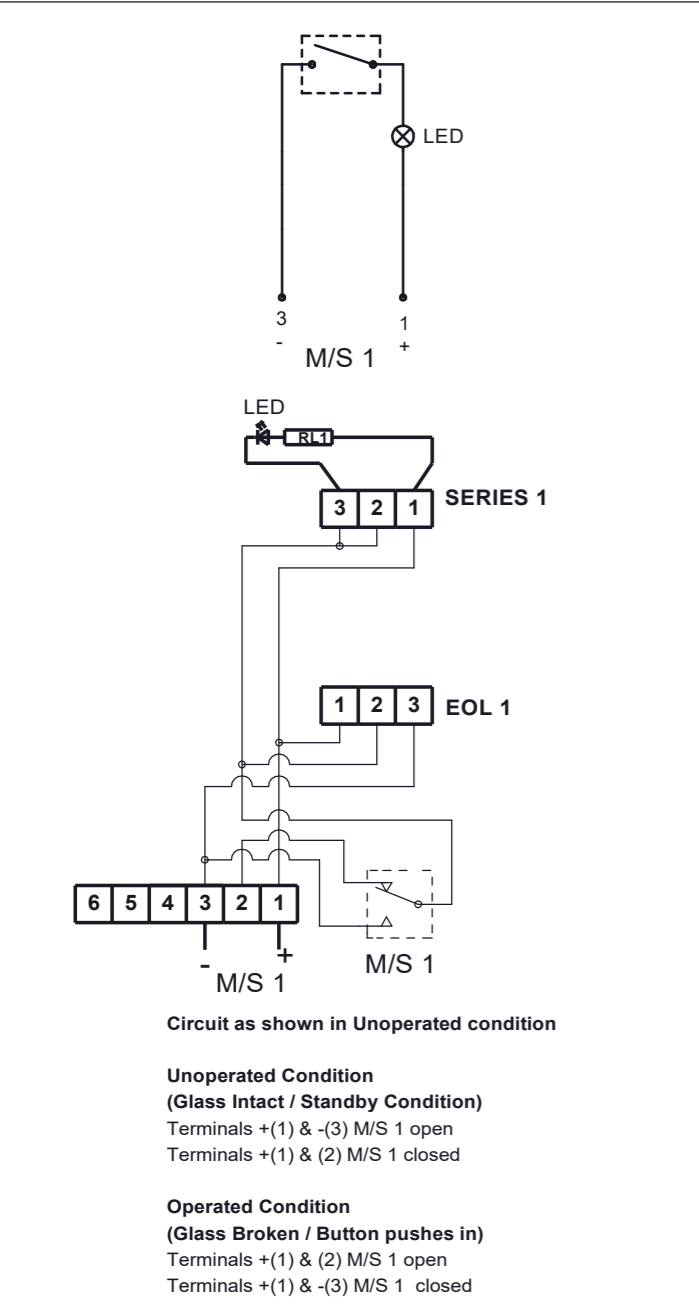
Notes:
1. Units have the option to remove the LED current-limiting resistor RL1 option 'L' using LED option 'C'. In all other cases shown RL1 is included.



Module Device Codes		
	EOL	Series
Resistor	ExxxR	SxxxR
Diode	ED1	SD1
Zener Diode	ExxxZ	SxxxZ
LED	N/A	L or C

ISSUE	MOD No.	REASON - INITIAL - DATE
1	ACN0127	Addition of LED version ; Options clarified RNP 20-08-2023

SINGLE SWITCH	CONFIG. P4 -1	SINGLE SWITCH WITH SERIES DEVICES	CONFIG. P4-2	SINGLE SWITCH WITH EOL & SERIES DEVICES	CONFIG. P4-3	SINGLE SWITCH WITH EOL & ALT SERIES DEVICES	CONFIG. P4-4
SWITCH TYPE [s] [S] TERMINALS [t] [P] PRODUCT OPTION [o] [1] LED INDICATOR [u] [L]	Single PCB Version Default LED with RL1	SWITCH TYPE [s] [S] TERMINALS [t] [P] PRODUCT OPTION [o] [1] LED INDICATOR [u] [L] EOL MODULE [e] [Exxxx]	Single PCB Version Default LED with RL1 EOL Device	SWITCH TYPE [s] [S] TERMINALS [t] [P] PRODUCT OPTION [o] [1] LED INDICATOR [u] [L] MODULES [e][s] [Exxxx][Sxxxx]	Single PCB Version Default LED with RL1 EOL + Series	SWITCH TYPE [s] [S] TERMINALS [t] [P] PRODUCT OPTION [o] [W] LED INDICATOR [u] [L] MODULE [e][s] [Exxxx][Sxxxx]	Single PCB Version Alt. EOL Pos'n. LED with RL1 EOL + Series



DRAWING TO BS8888:2000
GEOMETRIC TOLERANCES TO ISO1101:1983
LINEAR DIMENSIONAL TOLS
ANGULAR DIMENSIONAL TOLS

STANDARDS
GNE_xCP7 ; STExCP8 ; WP7 units with PCB

DRAWN	R.N.POTTS	DATE	20-08-2023
CHECKED	B.ISARD	DATE	20-08-2023
APPROVED	R.N.POTTS	DATE	20-08-2023

SURFACE FINISH	WEIGHT (Kg)
MATERIAL	
ALTERNATIVE MATERIAL	

THIS DRAWING AND ANY INFORMATION OR DESCRIPTIVE MATTER THEREIN IS COMMUNICATED IN CONFIDENCE AND IS THE COPYRIGHT PROPERTY OF EUROPEAN SAFETY SYSTEMS LTD. NEITHER THE WHOLE OR ANY EXTRACT MAY BE DISCLOSED, LOANED, COPIED OR USED FOR MANUFACTURING OR TENDERING PURPOSES WITHOUT THEIR WRITTEN CONSENT.

© EUROPEAN SAFETY SYSTEMS LTD. AS PER LATEST DATE OF ISSUE SHOWN ABOVE

EUROPEAN SAFETY SYSTEMS LTD
IMPRESS HOUSE
MANSELL ROAD
ACTON
LONDON W3 7QH
WWW.E2S.COM

ALL DIMENSIONS IN MM IF IN DOUBT, ASK - DO NOT SCALE				A3
TITLE GNE_xCP7 ; STExCP8 ; WP7 CALL POINT WIRING / CIRCUIT OPERATION DIAGRAM				
SCALE	SHEET	DRAWING NUMBER		
NTS	4 OF 8	D202-06-212		

DUAL MICROSWITCH LED DEVICES

SHEET 5

GNEXCP7-BG[s][t][l][e][m][d][v][o][x]-[u][e][s] LED Indicator [u]
 Switch Type [s] Product Version [v] Product Option [o] EOL Module [e]
 Terminals [t] Series

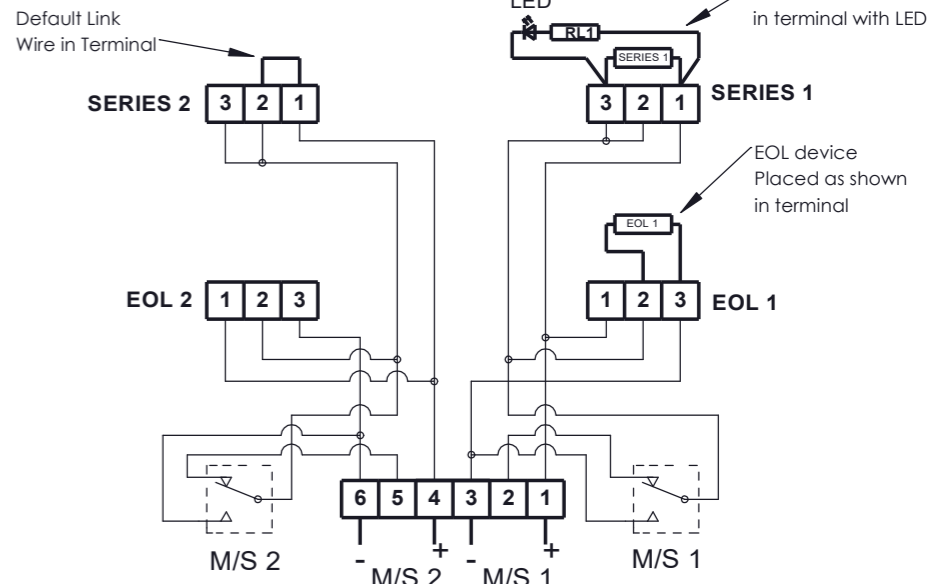
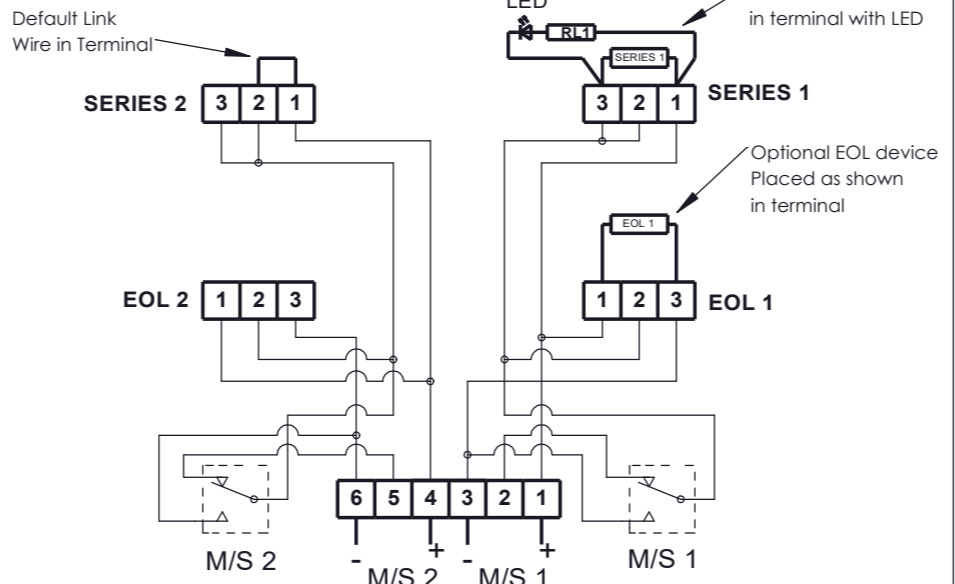
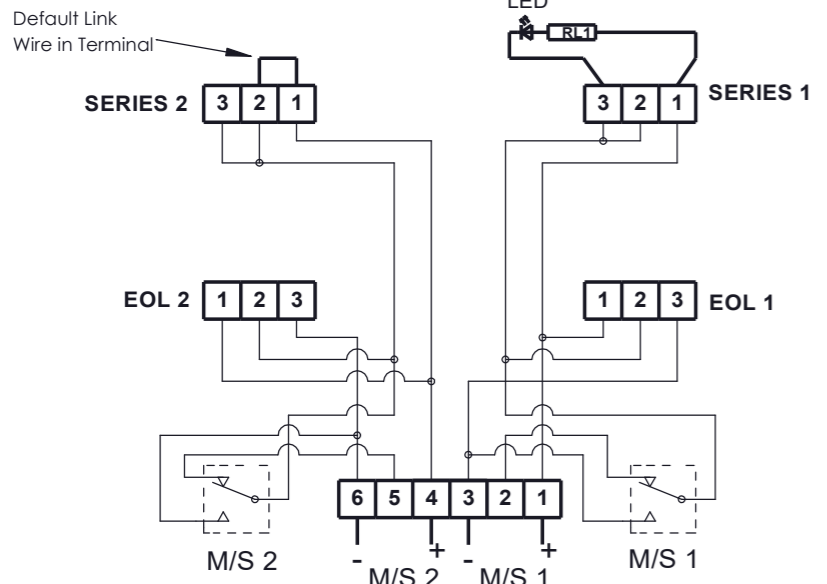
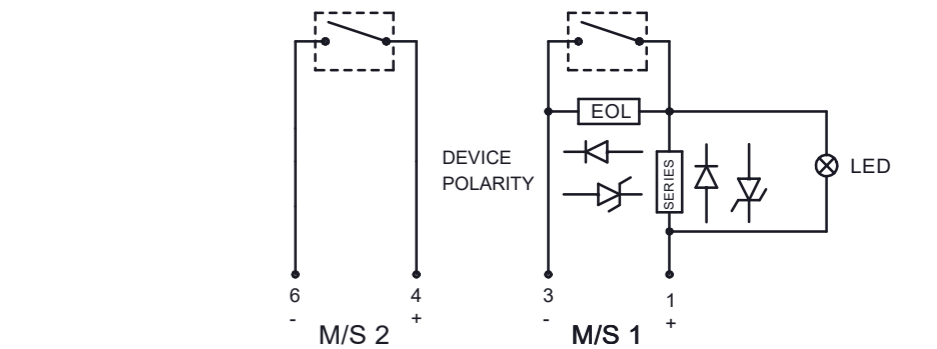
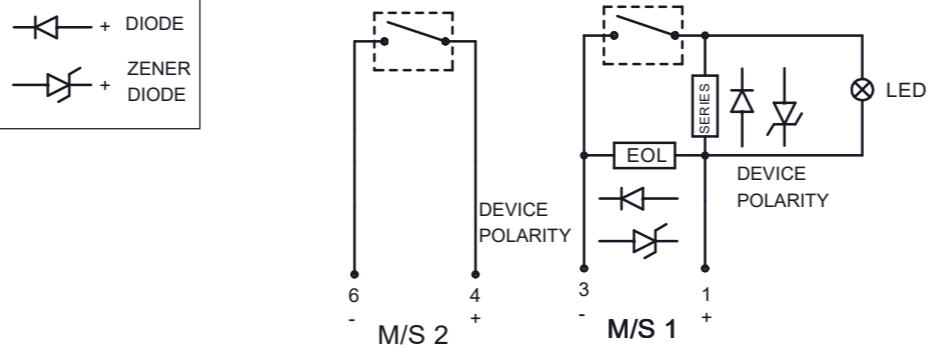
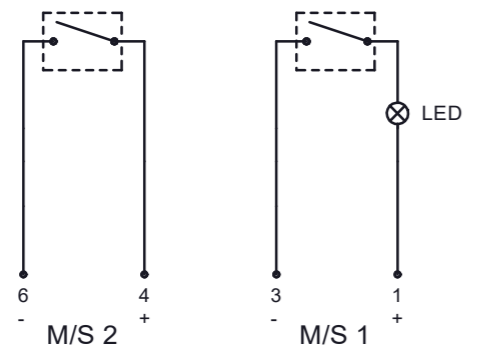
Module Device Codes		
	EOL	Series
Resistor	ExxxR	SxxxR
Diode	ED1	SD1
Zener Diode	ExxxZ	SxxxZ
LED	N/A	L or C

ISSUE	MOD No.	REASON - INITIAL - DATE
1	ACN0127	INTRODUCTION RNP 20-08-2023

Notes:
 1. Units have the option to remove the LED current-limiting resistor RL1 option 'L' using LED option 'C'. In all other cases shown RL1 is included.

DUAL SWITCH WITH LED	CONFIG. P5-1	DUAL SWITCH WITH LED, EOL & SERIES DEVICES	CONFIG. P5-2	DUAL SWITCH WITH LED, EOL & ALT. SERIES DEVICES	CONFIG. P5-3
-----------------------------	---------------------	---	---------------------	--	---------------------

SWITCH TYPE [s] [D] TERMINALS [t] [P] PRODUCT OPTION [o] [1] LED INDICATOR [u] [L]	Dual PCB Version Default LED with RL1	SWITCH TYPE [s] [D] TERMINALS [t] [P] PRODUCT OPTION [o] [1] LED INDICATOR [u] [L] MODULES [e][s] [Exxxx][Sxxxx]	Dual PCB Version Default LED with RL1 EOL + Series	SWITCH TYPE [s] [D] TERMINALS [t] [P] PRODUCT OPTION [o] [W] LED INDICATOR [u] [L] MODULES [e][s] [Exxxx][Sxxxx]	Dual PCB Version Alt. EOL Pos'n. LED with RL1 EOL + Series
---	--	--	--	--	--



Circuit as shown in Unoperated condition

Unoperated Condition (Glass Intact / Standby Condition)
 Terminals +(1) & -(3) M/S 1 and +(4) & -(6) M/S 2 open
 Terminals +(1) & (2) M/S 1 and +(4) & (5) M/S 2 closed

Operated Condition (Glass Broken / Button pushes in)
 Terminals +(1) & (2) M/S 1 and +(4) & (5) M/S 2 open
 Terminals +(1) & -(3) M/S 1 and +(4) & -(6) M/S 2 closed

Circuit as shown in Unoperated condition

Unoperated Condition (Glass Intact / Standby Condition)
 Terminals +(1) & -(3) M/S 1 and +(4) & -(6) M/S 2 open
 Terminals +(1) & (2) M/S 1 and +(4) & (5) M/S 2 closed

Operated Condition (Glass Broken / Button pushes in)
 Terminals +(1) & (2) M/S 1 and +(4) & (5) M/S 2 open
 Terminals +(1) & -(3) M/S 1 and +(4) & -(6) M/S 2 closed

Circuit as shown in Unoperated condition

Unoperated Condition (Glass Intact / Standby Condition)
 Terminals +(1) & -(3) M/S 1 and +(4) & -(6) M/S 2 open
 Terminals +(1) & (2) M/S 1 and +(4) & (5) M/S 2 closed

Operated Condition (Glass Broken / Button pushes in)
 Terminals +(1) & (2) M/S 1 and +(4) & (5) M/S 2 open
 Terminals +(1) & -(3) M/S 1 and +(4) & -(6) M/S 2 closed

DRAWING TO BS8888:2000
 GEOMETRIC TOLERANCES TO ISO1101:1983
 LINEAR DIMENSIONAL TOLS
 ANGULAR DIMENSIONAL TOLS

STANDARDS
GNExCP7 ; STExCP8 ; WP7 units with PCB

DRAWN	DATE
R.N.POTTS	20-08-2023
CHECKED	DATE
B.ISARD	20-08-2023
APPROVED	DATE
R.N.POTTS	20-08-2023

SURFACE FINISH

WEIGHT (Kg)

MATERIAL

ALTERNATIVE MATERIAL

THIS DRAWING AND ANY INFORMATION OR DESCRIPTIVE MATTER THEREIN IS COMMUNICATED IN CONFIDENCE AND IS THE COPYRIGHT PROPERTY OF EUROPEAN SAFETY SYSTEMS LTD. NEITHER THE WHOLE OR ANY EXTRACT MAY BE DISCLOSED, LOANED, COPIED OR USED FOR MANUFACTURING OR TENDERING PURPOSES WITHOUT THEIR WRITTEN CONSENT.

© EUROPEAN SAFETY SYSTEMS LTD. AS PER LATEST DATE OF ISSUE SHOWN ABOVE

EUROPEAN SAFETY SYSTEMS LTD
 IMPRESS HOUSE
 MANSELL ROAD
 ACTON
 LONDON W3 7QH
 WWW.E2S.COM

ALL DIMENSIONS IN MM
 IF IN DOUBT, ASK - DO NOT SCALE

TITLE **GNExCP7 ; STExCP8 ; WP7 CALL POINT WIRING / CIRCUIT OPERATION DIAGRAM**

SCALE NTS SHEET 5 OF 8 DRAWING NUMBER **D202-06-212**

DUAL MICROSWITCH LED & DEVICES DUPLICATED

SHEET 6

Module Device Codes

ISSUE	MOD No.	REASON - INITIAL - DATE
1	ACN0127	INTRODUCTION RNP 20-08-2023

	EOL	Series
Resistor	ExxxR	SxxxR
Diode	ED1	SD1
Zener Diode	ExxxZ	SxxxZ
LED	N/A	L or C

GNEXCP7-BG[s][t][l][e][m][d][v][o][x]-[u][e][s]
 Switch Type [s] Terminals [t] Product Version [v] Product Option [o] LED Indicator [u] Series Module [s] EOL Module [e]

Notes:
 1. Units have the option to remove the LED current-limiting resistor RL1 option 'L' using LED option 'C'. In all other cases shown RL1 is included.

DUAL SWITCH WITH LED, EOL & SERIES DEVICES DUPLICATED

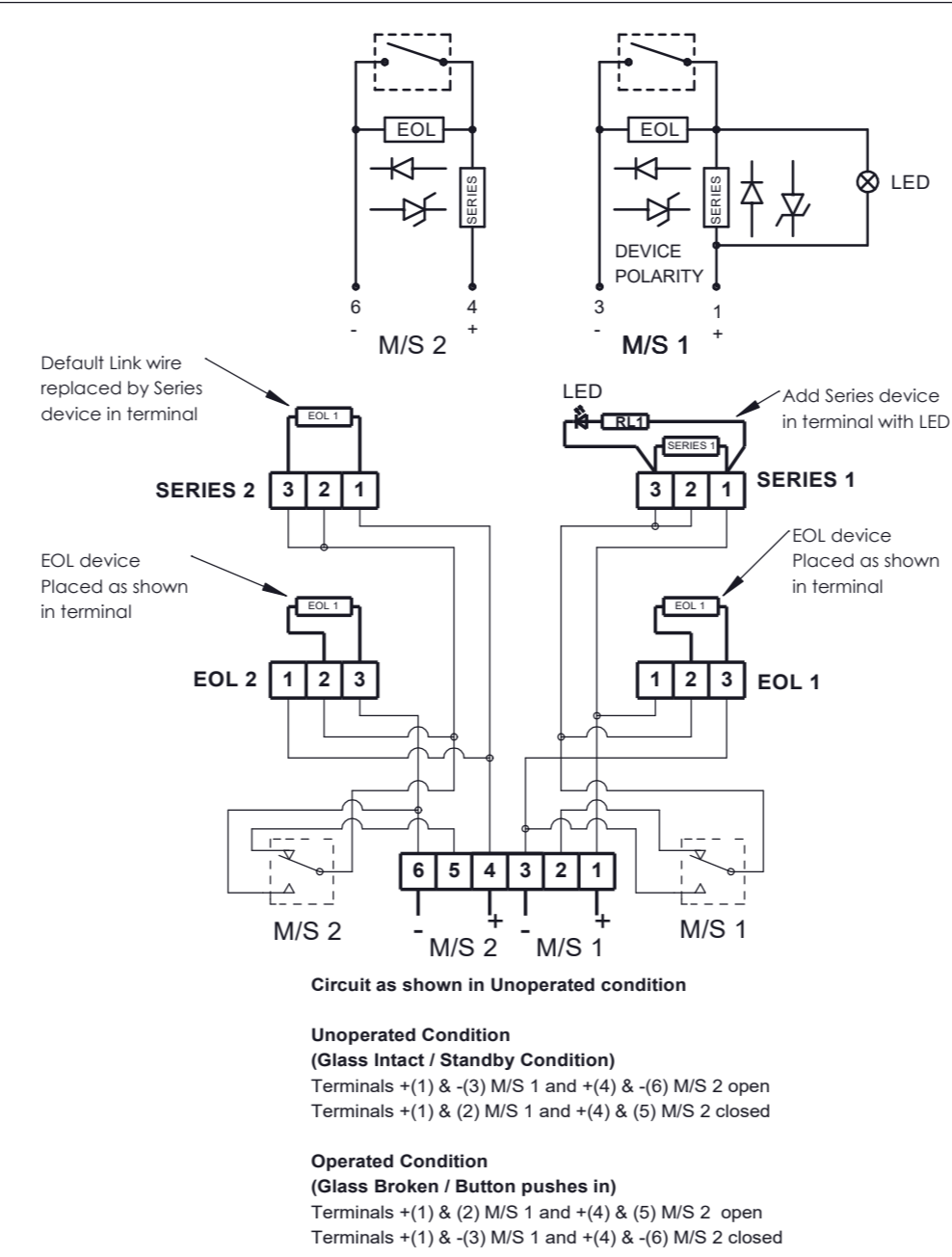
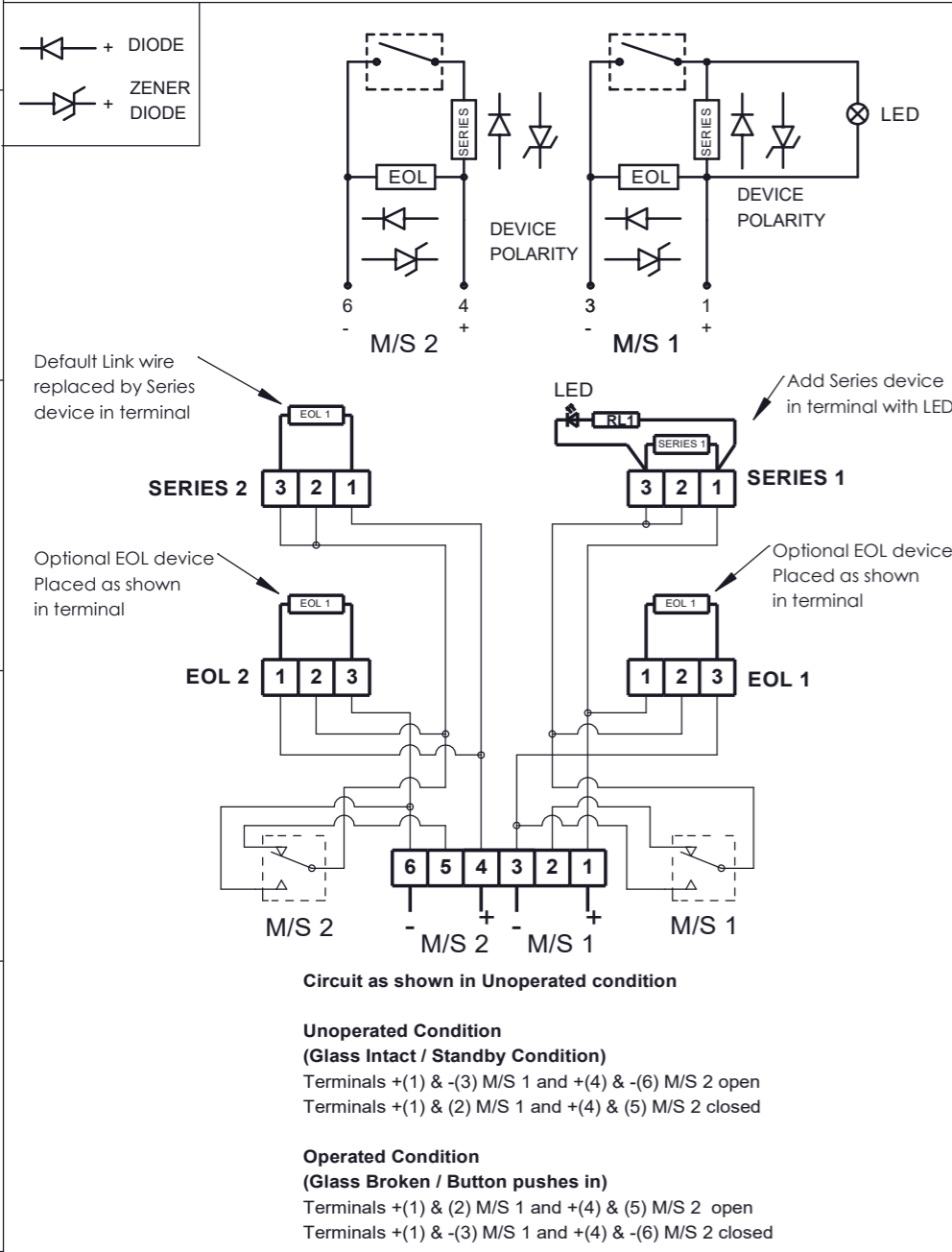
CONFIG. P6-1

DUAL SWITCH WITH LED, EOL & ALT. SERIES DEVICES DUPLICATED

CONFIG. P6-2

SWITCH TYPE [s] [D] Dual
 TERMINALS [t] [P] PCB Version
 PRODUCT OPTION [o] [2] Duplicate EOL/Series
 LED INDICATOR [u] [L] LED with RL1
 MODULES [e][s] [Exxxx][Sxxxx] EOL + Series

SWITCH TYPE [s] [D] Dual
 TERMINALS [t] [P] PCB Version
 PRODUCT OPTION [o] [Y] Alt. EOL Pos'n duplicated
 LED INDICATOR [u] [L] LED with RL1
 MODULES [e][s] [Exxxx][Sxxxx] EOL + Series



DRAWING TO BS8888:2000
 GEOMETRIC TOLERANCES TO ISO1101:1983
 LINEAR DIMENSIONAL TOLS
 ANGULAR DIMENSIONAL TOLS

STANDARDS
GNExCP7 ; STExCP8 ; WP7 units with PCB

DRAWN	R.N.POTTS	DATE	20-08-2023
CHECKED	B.ISARD	DATE	20-08-2023
APPROVED	R.N.POTTS	DATE	20-08-2023

SURFACE FINISH	WEIGHT (Kg)
MATERIAL	
ALTERNATIVE MATERIAL	

THIS DRAWING AND ANY INFORMATION OR DESCRIPTIVE MATTER THEREIN IS COMMUNICATED IN CONFIDENCE AND IS THE COPYRIGHT PROPERTY OF EUROPEAN SAFETY SYSTEMS LTD. NEITHER THE WHOLE OR ANY EXTRACT MAY BE DISCLOSED, LOANED, COPIED OR USED FOR MANUFACTURING OR TENDERING PURPOSES WITHOUT THEIR WRITTEN CONSENT.

© EUROPEAN SAFETY SYSTEMS LTD. AS PER LATEST DATE OF ISSUE SHOWN ABOVE

EUROPEAN SAFETY SYSTEMS LTD
 IMPRESS HOUSE
 MANSELL ROAD
 ACTON
 LONDON W3 7QH
 WWW.E2S.COM

ALL DIMENSIONS IN MM IF IN DOUBT, ASK - DO NOT SCALE				A3
TITLE GNExCP7 ; STExCP8 ; WP7 CALL POINT WIRING / CIRCUIT OPERATION DIAGRAM				
SCALE	SHEET	DRAWING NUMBER		
NTS	6 OF 8	D202-06-212		

DUAL MICROSWITCH IN PARALLEL, & DEVICES

SHEET 7

GNEXCP7-BG[s][t][l][e][m][d][v][o][x]-[u][e][s] Series
 Switch Type [s] Product Version [v] Product Option [o] EOL Module [e]
 Terminals [t] LED Indicator [u]

Module Device Codes		
	EOL	Series
Resistor	ExxxR	SxxxR
Diode	ED1	SD1
Zener Diode	ExxxZ	SxxxZ
LED	N/A	L or C

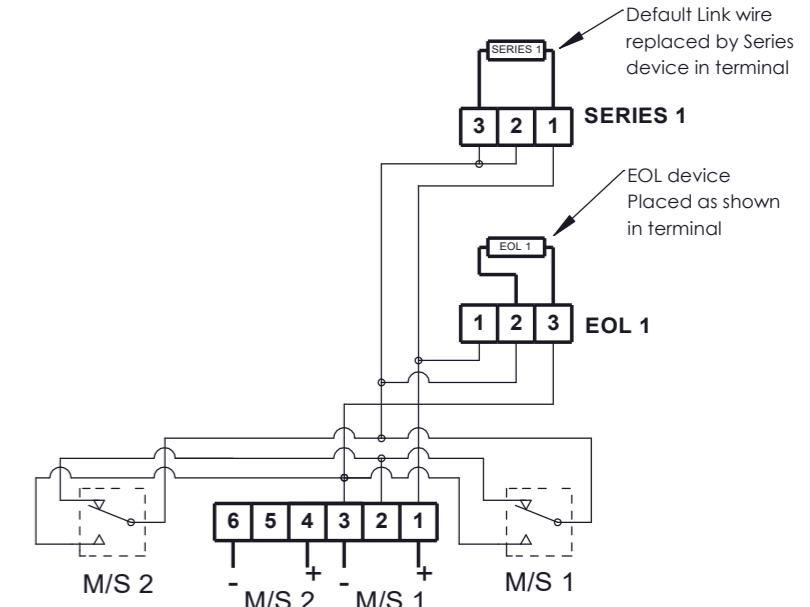
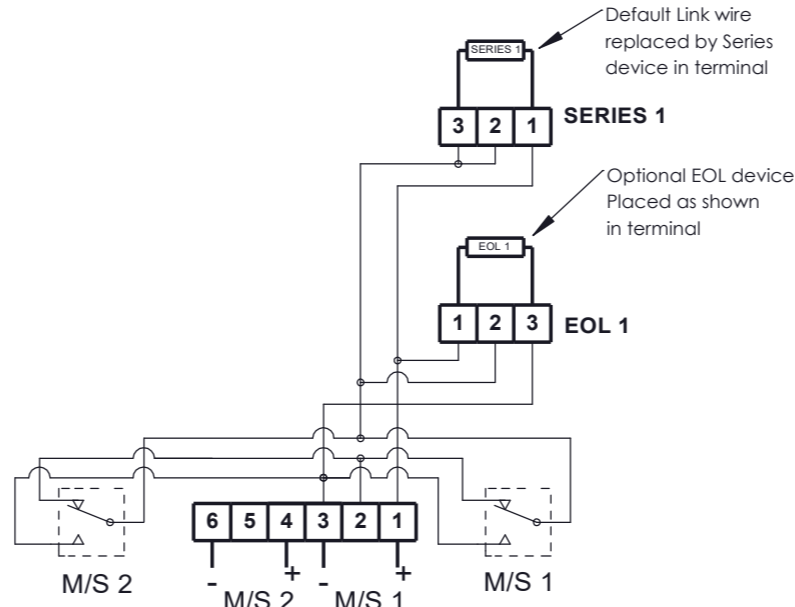
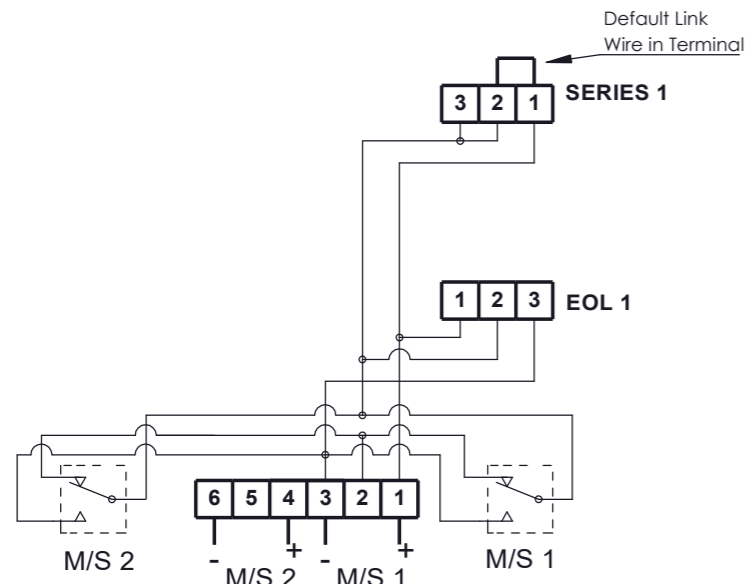
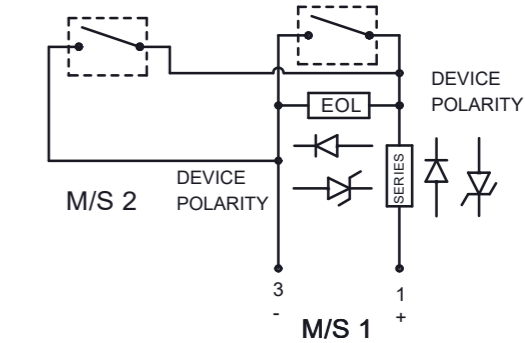
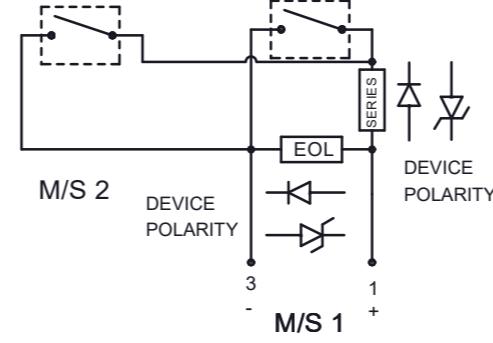
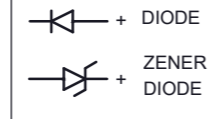
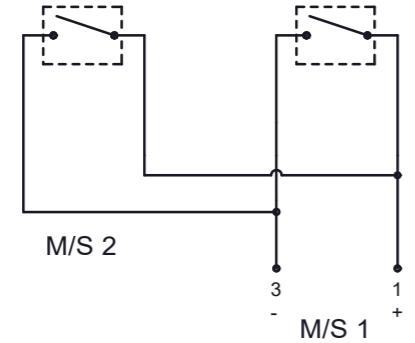
ISSUE	MOD No.	REASON - INITIAL - DATE
1	ACN0127	INTRODUCTION RNP 20-08-2023

Notes:
 1. Units have the option to remove the LED current-limiting resistor RL1 option 'L' using LED option 'C'. In all other cases shown RL1 is included.

DUAL SWITCH PARALLEL	CONFIG. P7-1	DUAL SWITCH, PARALLEL WITH EOL & SERIES DEVICES	CONFIG. P7-2	DUAL SWITCH, PARALLEL WITH EOL & ALT. SERIES DEVICES	CONFIG. P7-3
----------------------	--------------	---	--------------	--	--------------

SWITCH TYPE [s] [D] TERMINALS [t] [P] PRODUCT OPTION [o] [P] LED INDICATOR [u] [N]	Dual PCB Version Parallel Wiring No LED	SWITCH TYPE [s] [D] TERMINALS [t] [P] PRODUCT OPTION [o] [P] LED INDICATOR [u] [N] MODULES [e][s] [Exxxx][Sxxxx]	Dual PCB Version Parallel Wiring No LED EOL + Series	SWITCH TYPE [s] [D] TERMINALS [t] [P] PRODUCT OPTION [o] [V] LED INDICATOR [u] [N] MODULES [e][s] [Exxxx][Sxxxx]	Dual PCB Version Parallel Wiring Alt. EOL Pos'n. No LED EOL + Series
---	--	--	--	--	--

Note :- Use when EOL and/or series devices are fitted during installation, or if no series devices are required.



Circuit as shown in Unoperated condition

Unoperated Condition (Glass Intact / Standby Condition)
 Terminals +(1) & -(3) M/S 1 and +(4) & -(6) M/S 2 open
 Terminals +(1) & (2) M/S 1 and +(4) & (5) M/S 2 closed

Operated Condition (Glass Broken / Button pushes in)
 Terminals +(1) & (2) M/S 1 and +(4) & (5) M/S 2 open
 Terminals +(1) & -(3) M/S 1 and +(4) & -(6) M/S 2 closed

Circuit as shown in Unoperated condition

Unoperated Condition (Glass Intact / Standby Condition)
 Terminals +(1) & -(3) M/S 1 and +(4) & -(6) M/S 2 open
 Terminals +(1) & (2) M/S 1 and +(4) & (5) M/S 2 closed

Operated Condition (Glass Broken / Button pushes in)
 Terminals +(1) & (2) M/S 1 and +(4) & (5) M/S 2 open
 Terminals +(1) & -(3) M/S 1 and +(4) & -(6) M/S 2 closed

Circuit as shown in Unoperated condition

Unoperated Condition (Glass Intact / Standby Condition)
 Terminals +(1) & -(3) M/S 1 and +(4) & -(6) M/S 2 open
 Terminals +(1) & (2) M/S 1 and +(4) & (5) M/S 2 closed

Operated Condition (Glass Broken / Button pushes in)
 Terminals +(1) & (2) M/S 1 and +(4) & (5) M/S 2 open
 Terminals +(1) & -(3) M/S 1 and +(4) & -(6) M/S 2 closed

DRAWING TO BS8888:2000
 GEOMETRIC TOLERANCES TO ISO1101:1983
 LINEAR DIMENSIONAL TOLS
 ANGULAR DIMENSIONAL TOLS

DRAWN	DATE
R.N.POTTS	20-08-2023
CHECKED	DATE
B.ISARD	20-08-2023
APPROVED	DATE
R.N.POTTS	20-08-2023

SURFACE FINISH	WEIGHT (Kg)
MATERIAL	
ALTERNATIVE MATERIAL	

THIS DRAWING AND ANY INFORMATION OR DESCRIPTIVE MATTER THEREIN IS COMMUNICATED IN CONFIDENCE AND IS THE COPYRIGHT PROPERTY OF EUROPEAN SAFETY SYSTEMS LTD. NEITHER THE WHOLE OR ANY EXTRACT MAY BE DISCLOSED, LOANED, COPIED OR USED FOR MANUFACTURING OR TENDERING PURPOSES WITHOUT THEIR WRITTEN CONSENT.

© EUROPEAN SAFETY SYSTEMS LTD. AS PER LATEST DATE OF ISSUE SHOWN ABOVE

EUROPEAN SAFETY SYSTEMS LTD
 IMPRESS HOUSE
 MANSELL ROAD
 ACTON
 LONDON W3 7QH
 WWW.E2S.COM

ALL DIMENSIONS IN MM IF IN DOUBT, ASK - DO NOT SCALE				A3
TITLE GNEXCP7 ; STExCP8 ; WP7 CALL POINT WIRING / CIRCUIT OPERATION DIAGRAM				
SCALE	SHEET	DRAWING NUMBER		
NTS	7 OF 8	D202-06-212		

DUAL MICROSWITCH IN PARALLEL, LED & DEVICES

SHEET 8

Module Device Codes

ISSUE	MOD No.	REASON - INITIAL - DATE
1	ACN0127	INTRODUCTION RNP 20-08-2023

Resistor	ExxxR	SxxxR
Diode	ED1	SD1
Zener Diode	ExxxZ	SxxxZ
LED	N/A	L or C

Notes:
1. Units have the option to remove the LED current-limiting resistor RL1 option 'L' using LED option 'C'. In all other cases shown RL1 is included.

GNEXCP7-BG[s][t][l][e][m][d][v][o][x]-[u][e][s]
 Switch Type [s] Terminals [t] Product Version [v] Product Option [o] LED Indicator [u] Series Module [s] EOL Module [e]

DUAL SWITCH PARALLEL WITH LED

CONFIG. P8-1

DUAL SWITCH PARALLEL WITH LED, EOL & SERIES DEVICES

CONFIG. P8-2

DUAL SWITCH PARALLEL WITH LED, EOL & ALT. SERIES DEVICES

CONFIG. P8-3

SWITCH TYPE [s] [D]
 TERMINALS [t] [P]
 PRODUCT OPTION [o] [P]
 LED INDICATOR [u] [L]

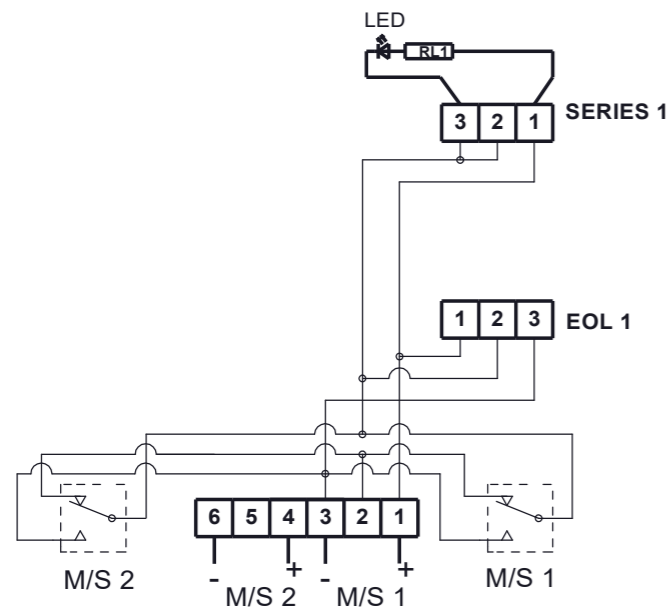
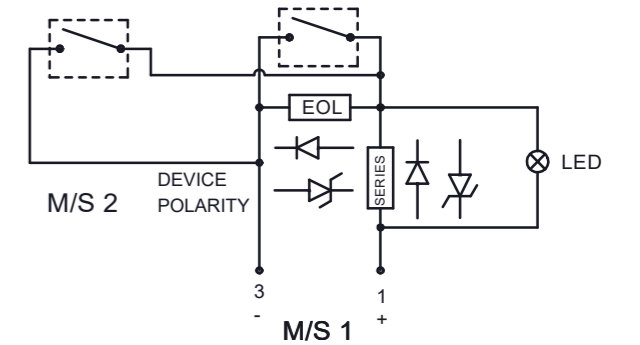
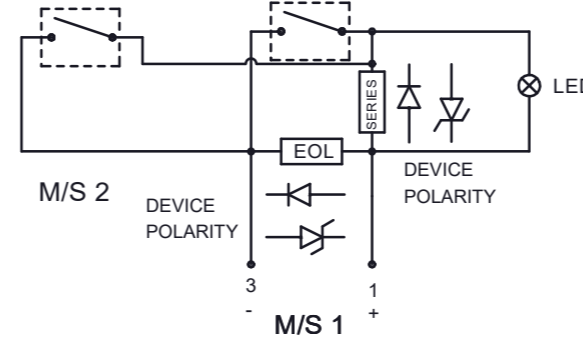
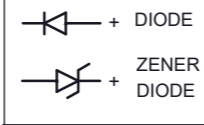
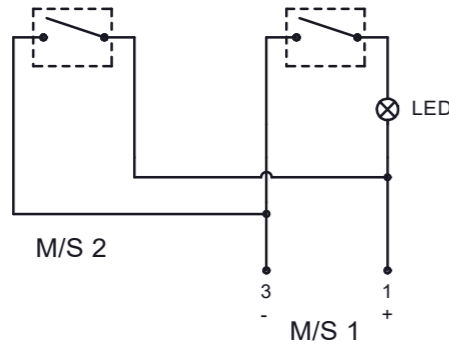
Dual PCB Version
 Parallel Wiring
 LED with RL1

SWITCH TYPE [s] [D]
 TERMINALS [t] [P]
 PRODUCT OPTION [o] [P]
 LED INDICATOR [u] [L]
 MODULES [e][s] [Exxxx][Sxxxx]

Dual PCB Version
 Parallel Wiring
 LED with RL1
 EOL + Series

SWITCH TYPE [s] [D]
 TERMINALS [t] [P]
 PRODUCT OPTION [o] [V]
 LED INDICATOR [u] [L]
 MODULES [e][s] [Exxxx][Sxxxx]

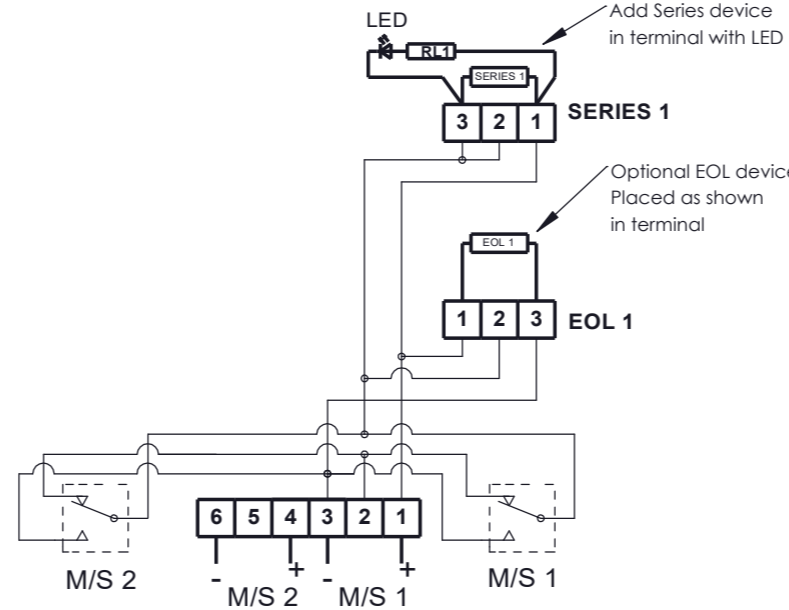
Dual PCB Version
 Parallel Wiring Alt. EOL Pos'n.
 LED with RL1
 EOL + Series



Circuit as shown in Unoperated condition

Unoperated Condition (Glass Intact / Standby Condition)
 Terminals +(1) & -(3) M/S 1 and +(4) & -(6) M/S 2 open
 Terminals +(1) & (2) M/S 1 and +(4) & (5) M/S 2 closed

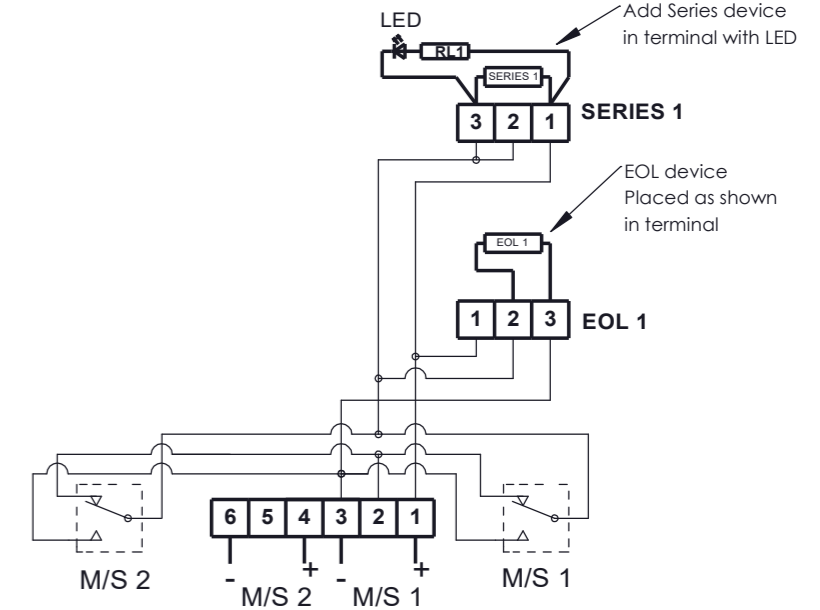
Operated Condition (Glass Broken / Button pushes in)
 Terminals +(1) & (2) M/S 1 and +(4) & (5) M/S 2 open
 Terminals +(1) & -(3) M/S 1 and +(4) & -(6) M/S 2 closed



Circuit as shown in Unoperated condition

Unoperated Condition (Glass Intact / Standby Condition)
 Terminals +(1) & -(3) M/S 1 and +(4) & -(6) M/S 2 open
 Terminals +(1) & (2) M/S 1 and +(4) & (5) M/S 2 closed

Operated Condition (Glass Broken / Button pushes in)
 Terminals +(1) & (2) M/S 1 and +(4) & (5) M/S 2 open
 Terminals +(1) & -(3) M/S 1 and +(4) & -(6) M/S 2 closed



Circuit as shown in Unoperated condition

Unoperated Condition (Glass Intact / Standby Condition)
 Terminals +(1) & -(3) M/S 1 and +(4) & -(6) M/S 2 open
 Terminals +(1) & (2) M/S 1 and +(4) & (5) M/S 2 closed

Operated Condition (Glass Broken / Button pushes in)
 Terminals +(1) & (2) M/S 1 and +(4) & (5) M/S 2 open
 Terminals +(1) & -(3) M/S 1 and +(4) & -(6) M/S 2 closed

DRAWING TO BS8888:2000
 GEOMETRIC TOLERANCES TO ISO1101:1983
 LINEAR DIMENSIONAL TOLS
 ANGULAR DIMENSIONAL TOLS

DRAWN R.N.POTTS DATE 20-08-2023

CHECKED B.ISARD DATE 20-08-2023

APPROVED R.N.POTTS DATE 20-08-2023

SURFACE FINISH WEIGHT (Kg)

MATERIAL

ALTERNATIVE MATERIAL

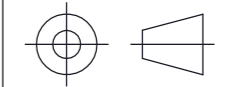
THIS DRAWING AND ANY INFORMATION OR DESCRIPTIVE MATTER THEREIN IS COMMUNICATED IN CONFIDENCE AND IS THE COPYRIGHT PROPERTY OF EUROPEAN SAFETY SYSTEMS LTD. NEITHER THE WHOLE OR ANY EXTRACT MAY BE DISCLOSED, LOANED, COPIED OR USED FOR MANUFACTURING OR TENDERING PURPOSES WITHOUT THEIR WRITTEN CONSENT.

© EUROPEAN SAFETY SYSTEMS LTD. AS PER LATEST DATE OF ISSUE SHOWN ABOVE



EUROPEAN SAFETY SYSTEMS LTD
 IMPRESS HOUSE
 MANSELL ROAD
 ACTON
 LONDON W3 7QH
 WWW.E2S.COM

ALL DIMENSIONS IN MM
 IF IN DOUBT, ASK - DO NOT SCALE



A3

TITLE **GNEXCP7 ; STEXCP8 ; WP7 CALL POINT WIRING / CIRCUIT OPERATION DIAGRAM**

SCALE NTS SHEET 8 OF 8 DRAWING NUMBER **D202-06-212**