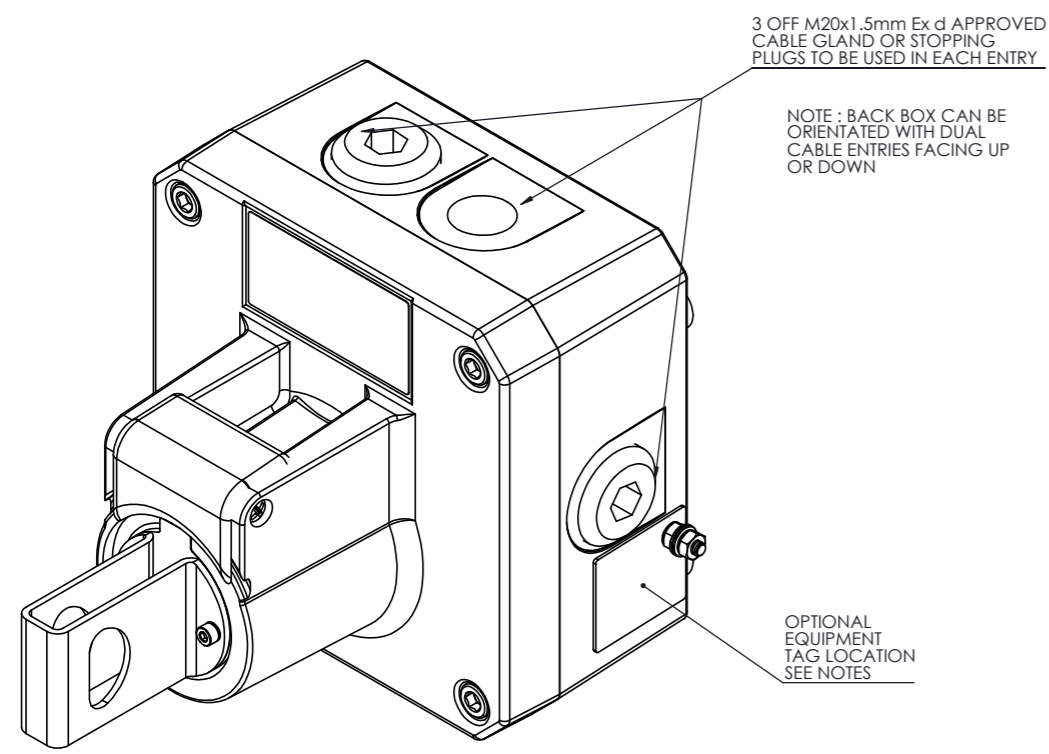
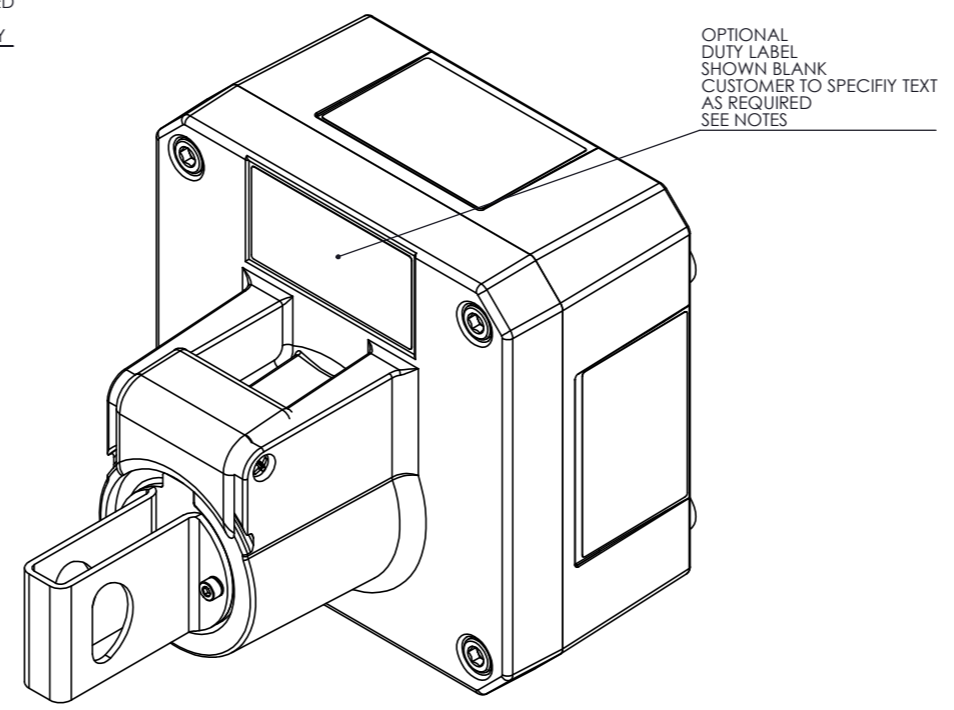


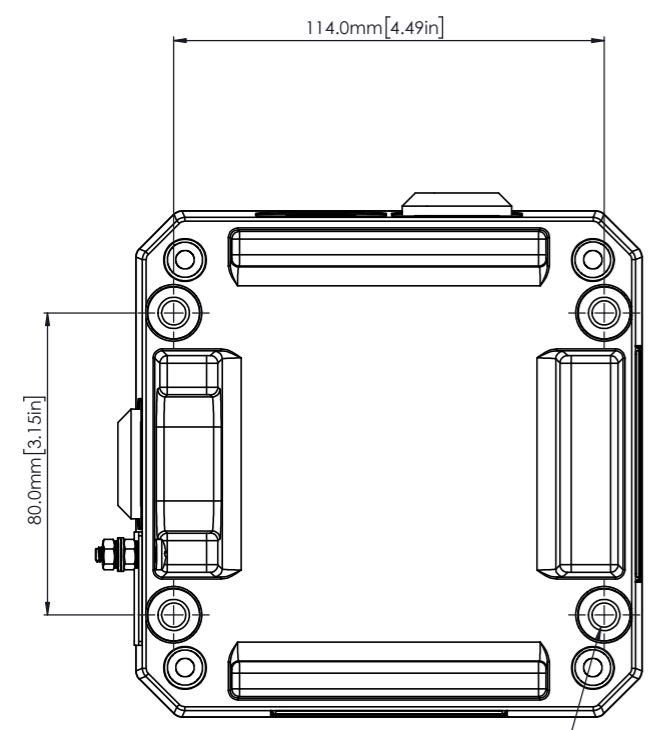
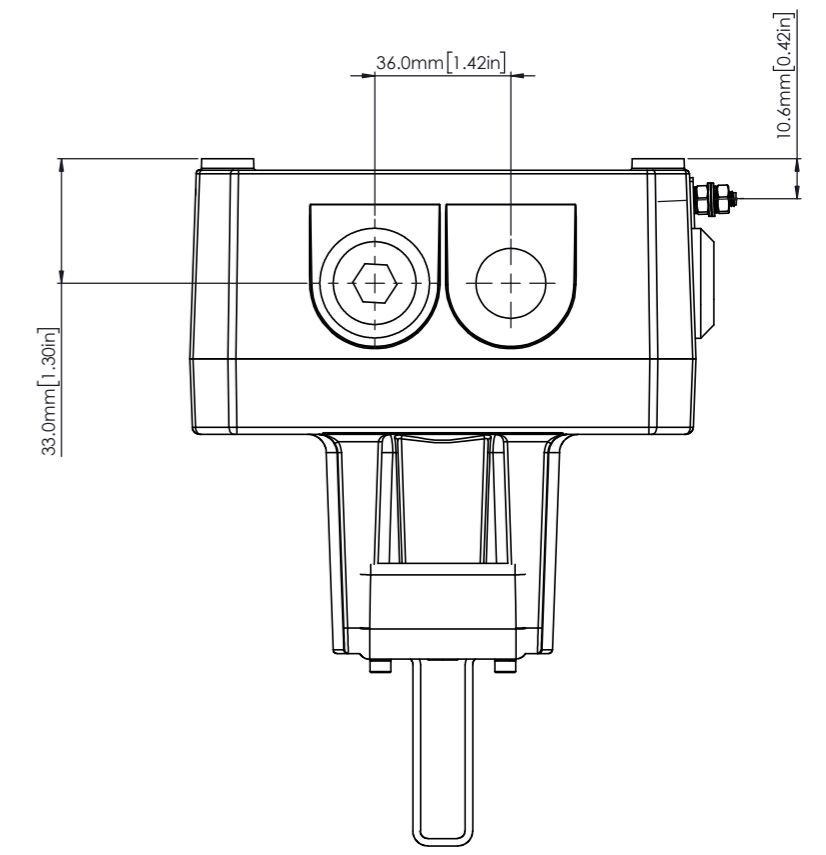
ISSUE	MOD No.	REASON - INITIAL - DATE
B		Optional duty label and equipment tag shown. RSR 11-02-2020
C		General Signaling products better defined with alternative back box entry position. RNP 10-11-2022
D		LED Option added -L and -C Optional Duty Label and Tag plate notes added. RNP 27-08-2023



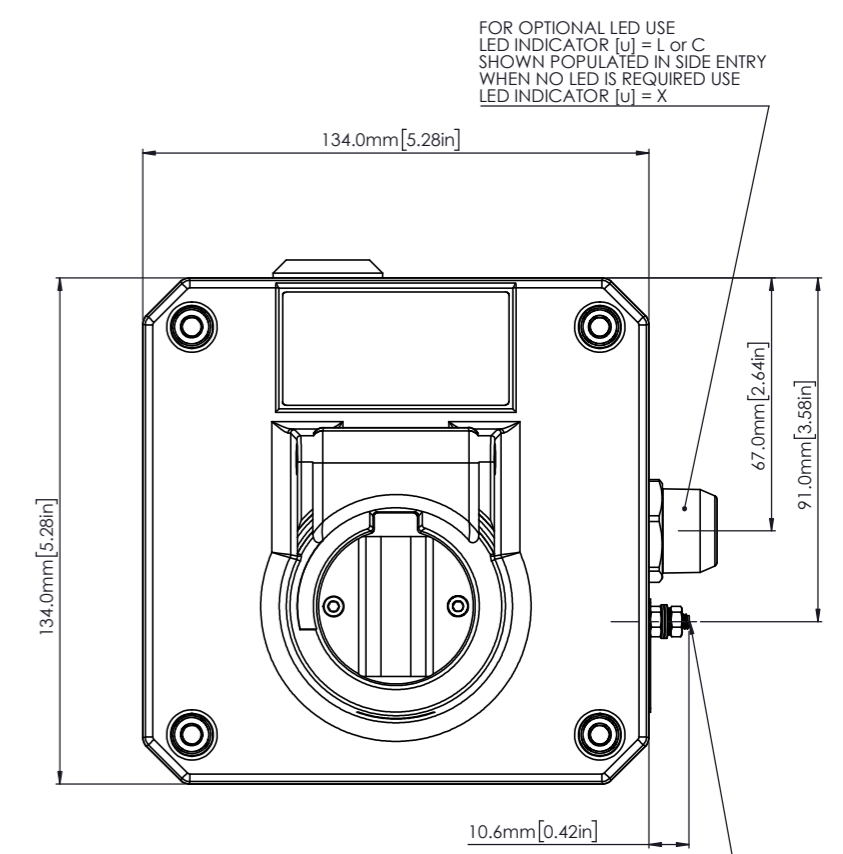
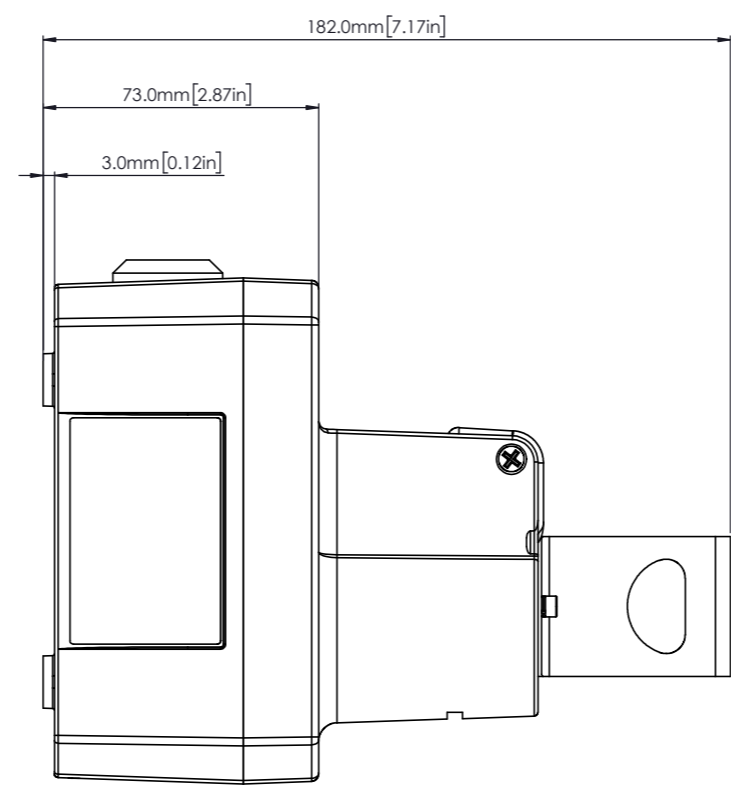
UNIT SHOWN WITH DUTY LABEL
BACK BOX WITH CABLE ENTRIES FACING UP



UNIT SHOWN WITH DUTY LABEL
BACK BOX WITH CABLE ENTRIES FACING DOWN



Ø6.4mm [0.25in]
MOUNTING HOLES 4 OFF



FOR OPTIONAL LED USE
LED INDICATOR [u] = L or C
SHOWN POPULATED IN SIDE ENTRY
WHEN NO LED IS REQUIRED USE
LED INDICATOR [u] = X

EXTERNAL M4
EARTH STUD

E2S PART No.	DESCRIPTION	DATA REFERENCE
GNExCP7-PB	GRP PUSH BUTTON DUAL ACTION CALL POINT GENERAL SIGNALING	1-24-180

NOTES :-
FOR OPTIONAL DUTY LABEL SEE DRAWING D254-00-011
FOR OPTIONAL TAG PLATE SEE DRAWING D254-00-111

DRAWING TO BS8888:2000 GEOMETRIC TOLERANCES TO ISO1101:1983 LINEAR DIMENSIONAL TOLS ANGULAR DIMENSIONAL TOLS	DRAWN R.N.POTTS	DATE 29:03:2019	SURFACE FINISH	WEIGHT (kg)	THIS DRAWING AND ANY INFORMATION OR DESCRIPTIVE MATTER THEREIN IS COMMUNICATED IN CONFIDENCE AND IS THE COPYRIGHT PROPERTY OF EUROPEAN SAFETY SYSTEMS LTD. NEITHER THE WHOLE OR ANY EXTRACT MAY BE DISCLOSED, LOANED, COPIED OR USED FOR MANUFACTURING OR TENDERING PURPOSES WITHOUT THEIR WRITTEN CONSENT. EUROPEAN SAFETY SYSTEMS LTD. AS PER LATEST DATE OF ISSUE SHOWN ABOVE	 EUROPEAN SAFETY SYSTEMS LTD IMPRESS HOUSE MANSELL ROAD ACTON LONDON W3 7QH WWW.E2S.COM	ALL DIMENSIONS IN MM IF IN DOUBT, ASK - DO NOT SCALE	 A1	
	CHECKED B.ISARD	DATE 29:03:2019	MATERIAL						
STANDARDS PRODUCT REF	APPROVED R.N.POTTS	DATE 29:03:2019	ALTERNATIVE MATERIAL			TITLE GNExCP7-PB PUSH BUTTON DUAL ACTION CALL POINT OUTLINE DRAWING	SCALE 1:1	SHEET 1 OF 1	DRAWING NUMBER D202-05-211