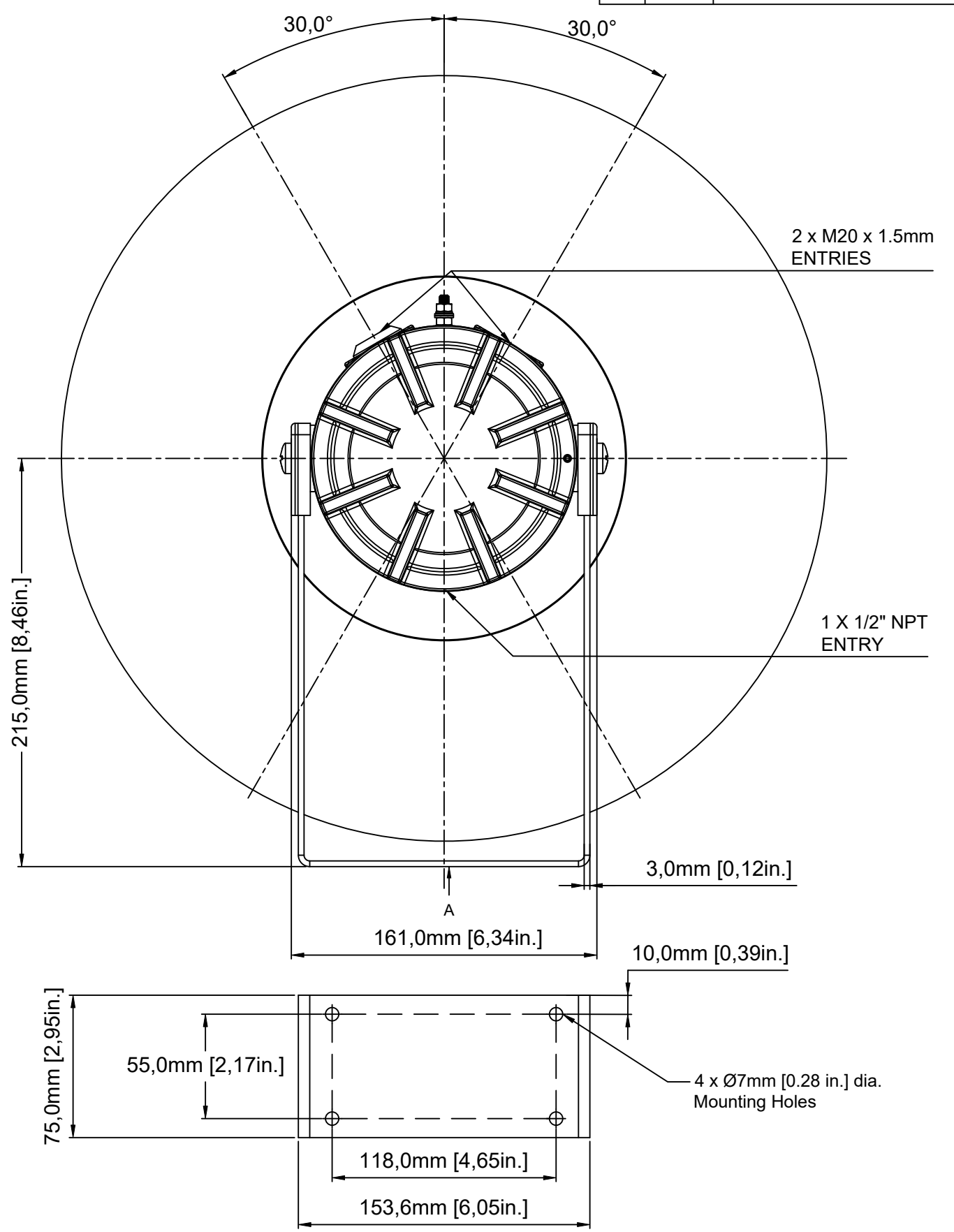
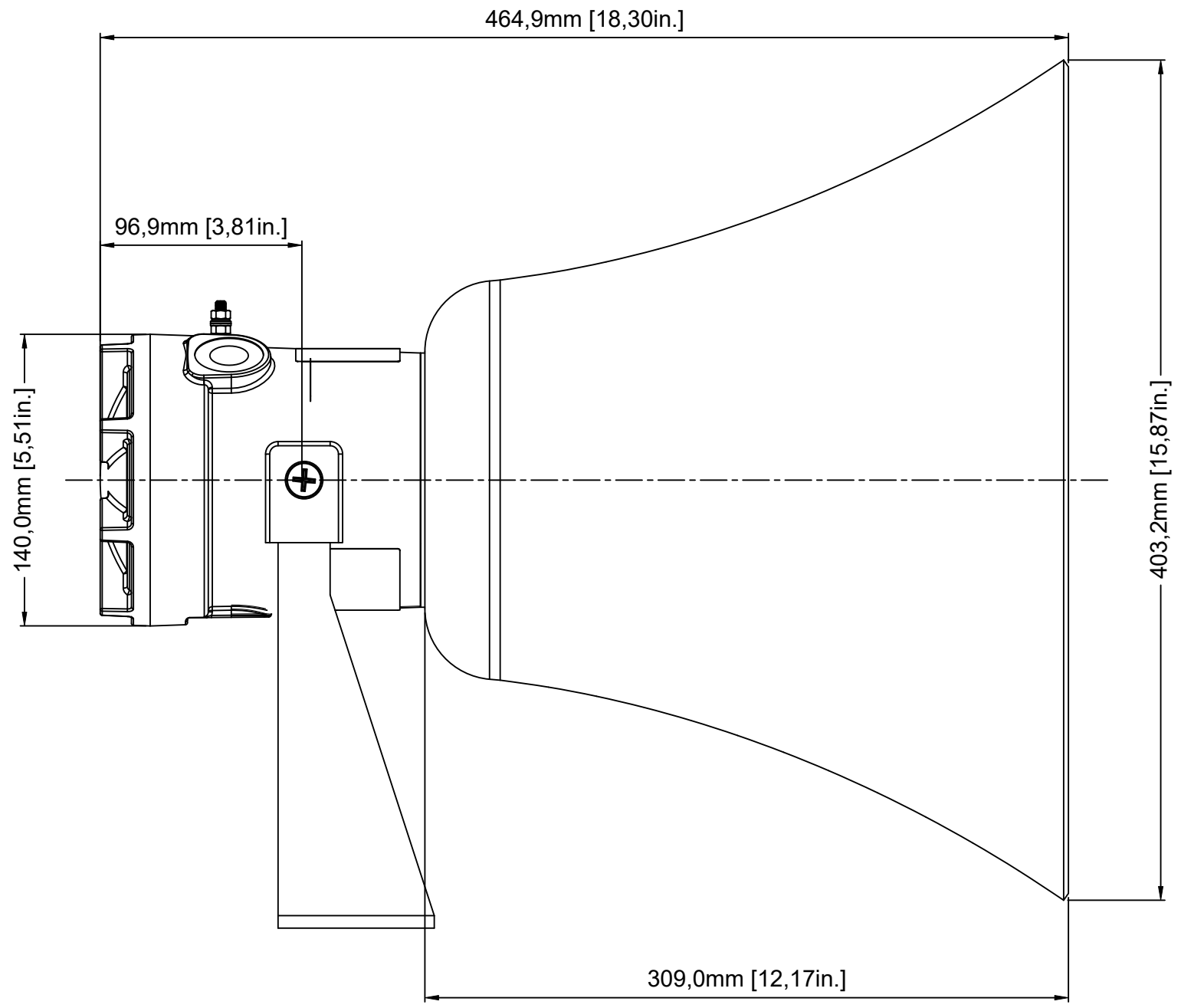


ISSUE	MOD No.	INITIAL/DATE
A		INTRODUCTION RSR 15-10-2021
B	ACN0124	D2xL and D2xS UNITS LISTED OPTIONAL EQUIPMENT TAG REMOVED LABEL NOTES ADDED MM 31-07-2023



E2S PART NO.	DESCRIPTION	DATA REFERENCE
D1xL2H...	D1xL2 25W PA LOUDSPEAKER (Ex d)	1.22.175
D1xS2H...	D1xS2 ALARM SOUNDERS (Ex d)	1.22.155
D2xL2H...	D2xLH 25W PA LOUDSPEAKER (Ex ec)	1-32-054
D2xS2H...	D2xS2H SLARM SOUNDERS (EX ec)	1-32-029

NOTE:  
FOR OPTIONAL DUTY LABEL SEE DRAWING D254-00-001  
FOR OPTIONAL TAG PLATE SEE DRAWING D254-00-101

DRAWING TO BS8888:2000 GEOMETRIC TOLERANCES TO ISO1101:1983 LINEAR DIMENSIONAL TOLS ANGULAR DIMENSIONAL TOLS		DRAWN R. S. RAIT	DATE 22-04-2020	SURFACE FINISH	WEIGHT (Kg)
STANDARDS D1x		CHECKED B. ISARD	DATE 22-04-2020	MATERIAL	
		APPROVED R. N. POTTS	DATE 22-04-2020	ALTERNATIVE MATERIAL	

THIS DRAWING AND ANY INFORMATION OR DESCRIPTIVE MATTER THEREIN IS COMMUNICATED IN CONFIDENCE AND IS THE COPYRIGHT PROPERTY OF EUROPEAN SAFETY SYSTEMS LTD. NEITHER THE WHOLE OR ANY EXTRACT MAY BE DISCLOSED, LOANED, COPIED OR USED FOR MANUFACTURING OR TENDERING PURPOSES WITHOUT THEIR WRITTEN CONSENT.

EUROPEAN SAFETY SYSTEMS LTD.  
AS PER LATEST DATE OF ISSUE SHOWN ABOVE



ALL DIMENSIONS IN MM IF IN DOUBT, ASK - DO NOT SCALE		A2
TITLE D1x S2H/L2H Ex d RANGE - SOUNDER OUTLINE		
SCALE 1:2	SHEET 1 OF 1	DRAWING NUMBER D190-05-121

SCRAP VIEW IN DIRECTION 'A'