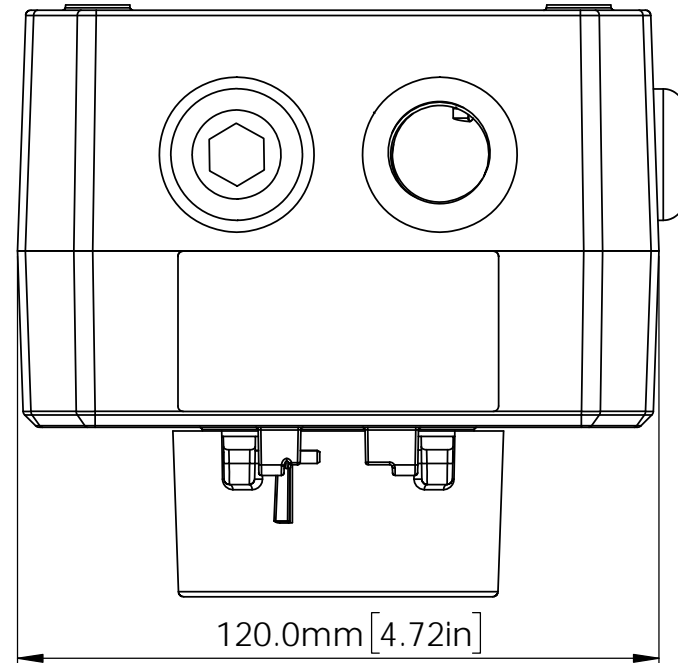


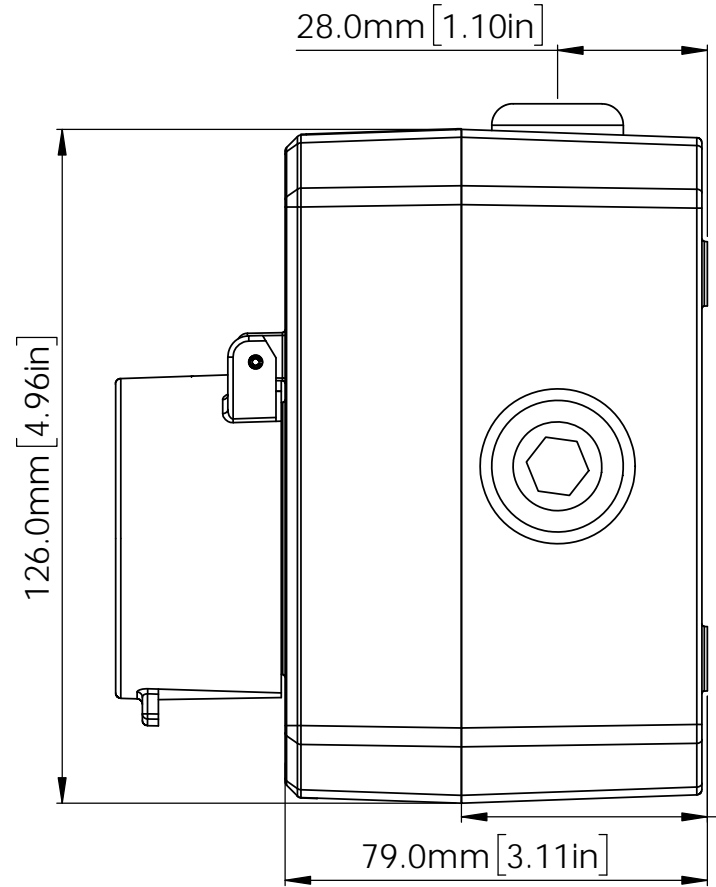
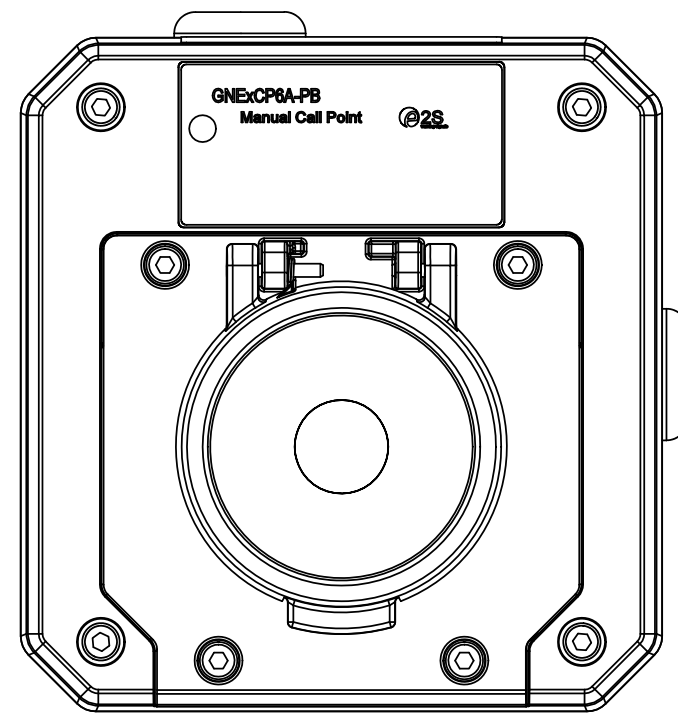
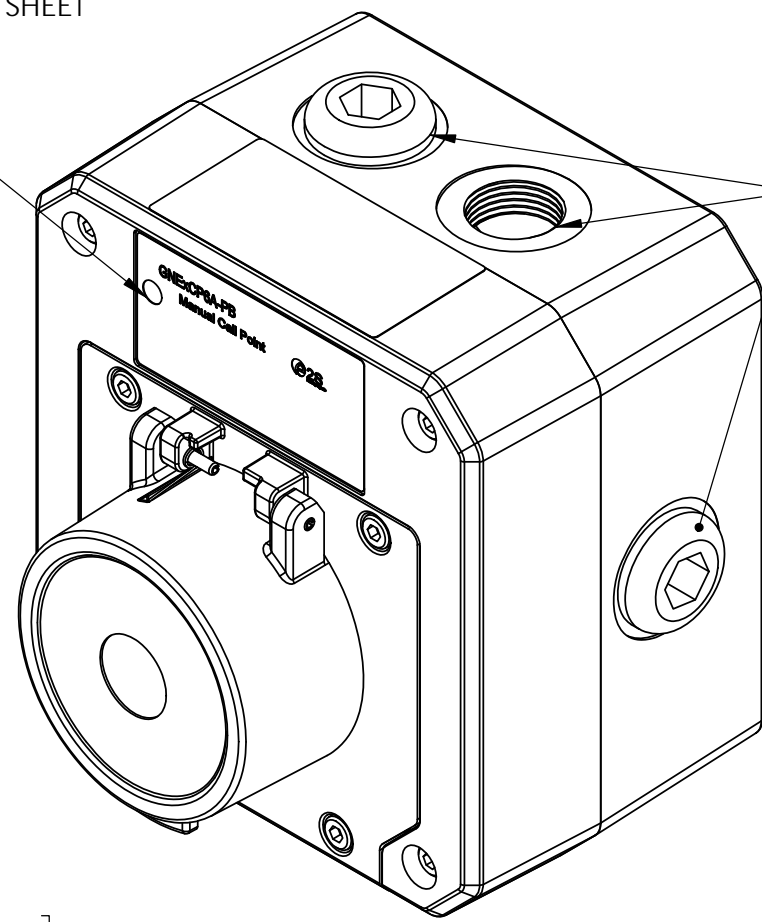
E2S PART NO.	DESCRIPTION	DATA REFERENCE	NOTE:
GNECP6A-PB GNECP6B-PB GNECP6C-PB GNECP6D-PB	GNECP6-PB PUSH BUTTON MANUAL CALL POINT	1.24.030	VENDOR TO PROVIDE DATA SHEET
GNECP6A-PT GNECP6B-PT GNECP6C-PT GNECP6D-PT	GNECP6-PT TOOL RESET MANUAL CALL POINT	1.24.050	

ISSUE	MOD No.	REASON - INITIAL - DATE
1		INTRODUCTION DAH - 03-02-2020
2		CUSTOMER INFORMATION ADDED JS - 22-05-2020
3		LABEL NOTES ADDED MM 31-07-2023

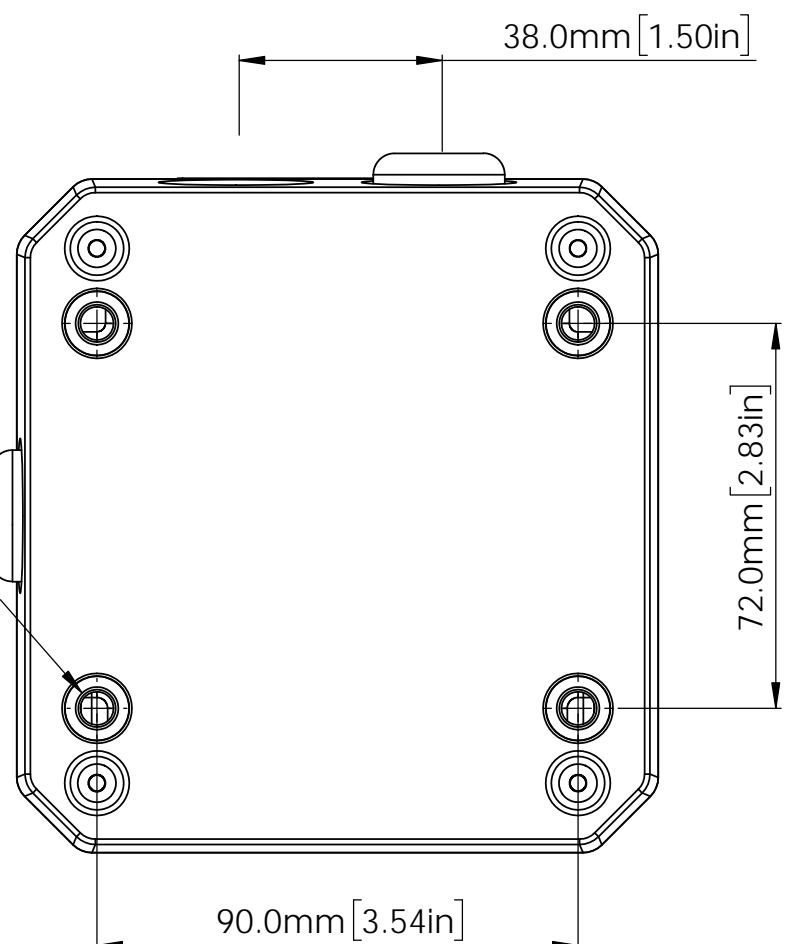


OPTIONAL L.E.D INDICATOR

ISOMETRIC VIEW



Ø6.2mm [0.24in]  
MOUNTING HOLES  
4 OFF



NOTE:  
FOR OPTIONAL DUTY LABEL SEE DRAWING D254-00-011  
FOR OPTIONAL TAG PLATE SEE DRAWING D254-00-121

DRAWING TO BS8888:2000 GEOMETRIC TOLERANCES TO ISO1101:1983 LINEAR DIMENSIONAL TOLS ANGULAR DIMENSIONAL TOLS	DRAWN D.HOWGILL DATE 03-02-20	HOUSING FINISH <b>POWDER COAT</b>	WEIGHT (Kg) <b>1.3KG / 2.86LBS</b>	THIS DRAWING AND ANY INFORMATION OR DESCRIPTIVE MATTER THEREIN IS COMMUNICATED IN CONFIDENCE AND IS THE COPYRIGHT PROPERTY OF EUROPEAN SAFETY SYSTEMS LTD. NEITHER THE WHOLE OR ANY EXTRACT MAY BE DISCLOSED, LOANED, COPIED OR USED FOR MANUFACTURING OR TENDERING PURPOSES WITHOUT THEIR WRITTEN CONSENT.	 EUROPEAN SAFETY SYSTEMS LTD IMPRESS HOUSE MANSELL ROAD ACTON LONDON W3 7QH WWW.E2S.COM	ALL DIMENSIONS IN MM IF IN DOUBT, ASK - DO NOT SCALE		 <b>A2</b>
	STANDARDS <b>GNECP6-PB</b> <b>GNECP6-PT</b>	CHECKED R.N.POTTS DATE 03-02-20	HOUSING MATERIAL <b>GRP - GLASS REINFORCED POLYESTER</b>			ALTERNATIVE MATERIAL	TITLE <b>GNECP6-PB &amp; GNECP6-PT MANUAL CALL POINT OUTLINE DRAWING</b>	
	APPROVED R.N.POTTS DATE 03-02-20			 EUROPEAN SAFETY SYSTEMS LTD. AS PER LATEST DATE OF ISSUE SHOWN ABOVE	SCALE <b>1:1</b>	SHEET <b>1 OF 1</b>	DRAWING NUMBER <b>D154-05-101</b>	