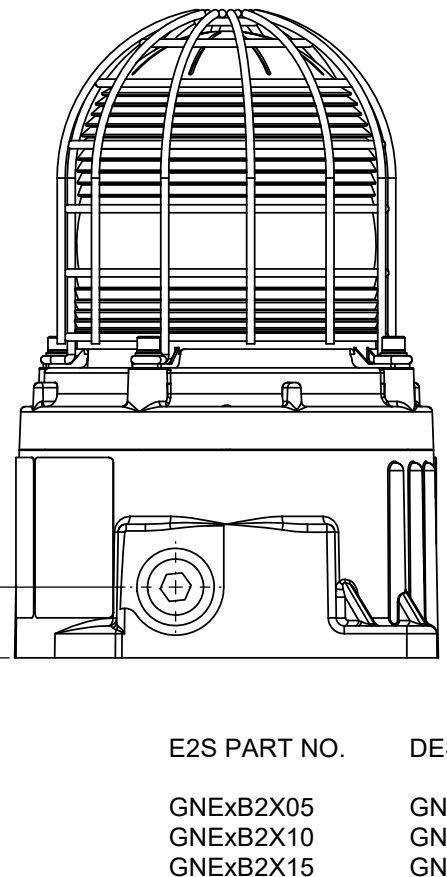
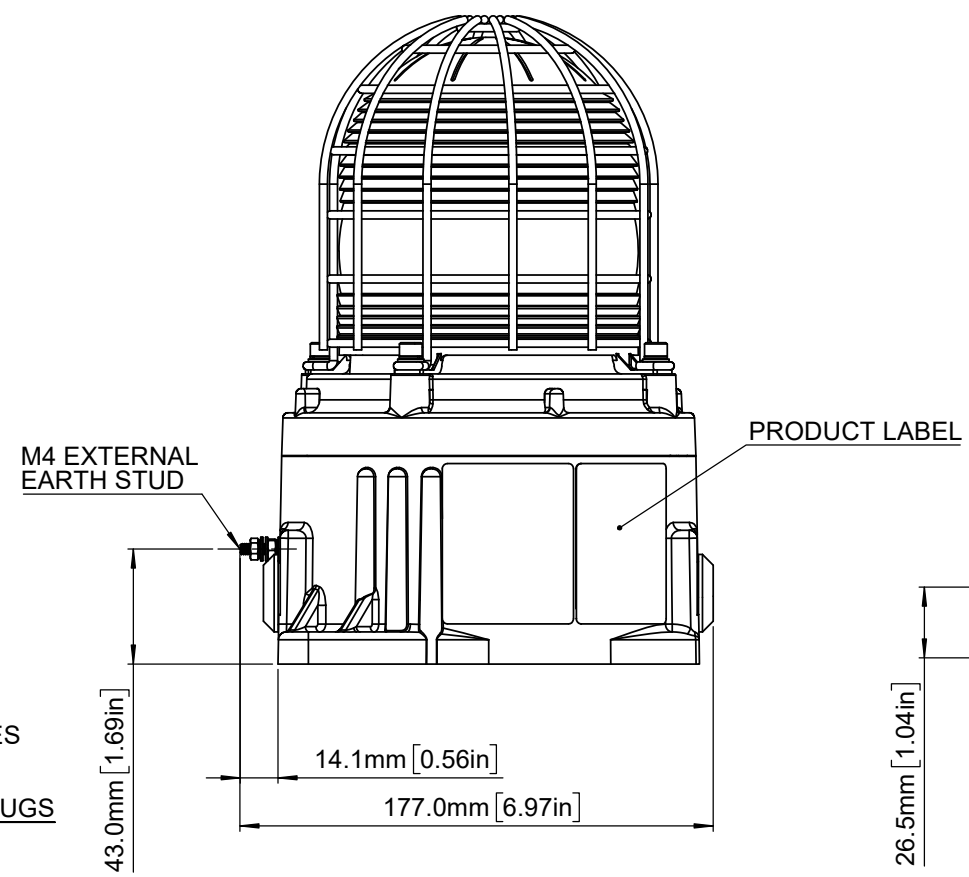
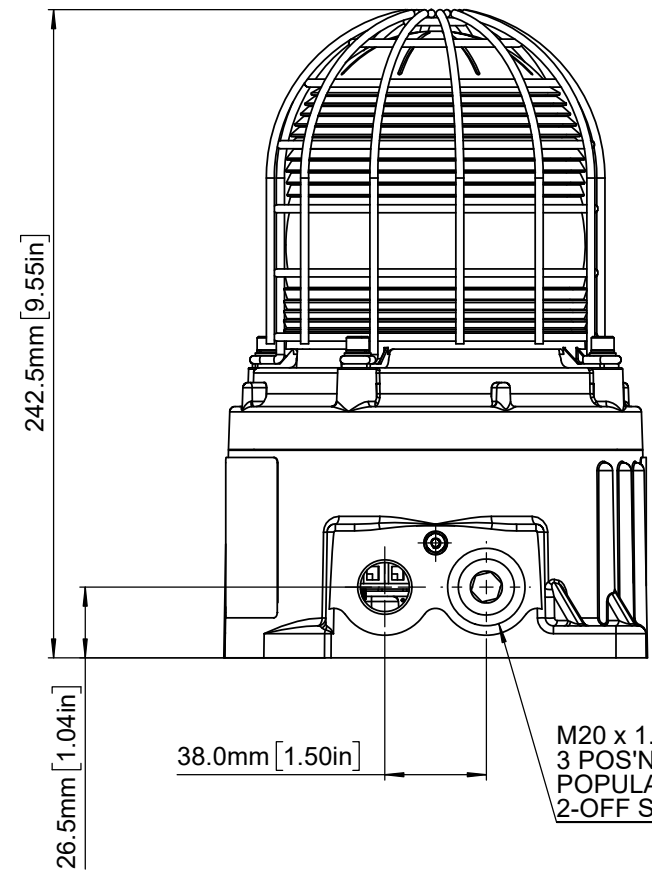
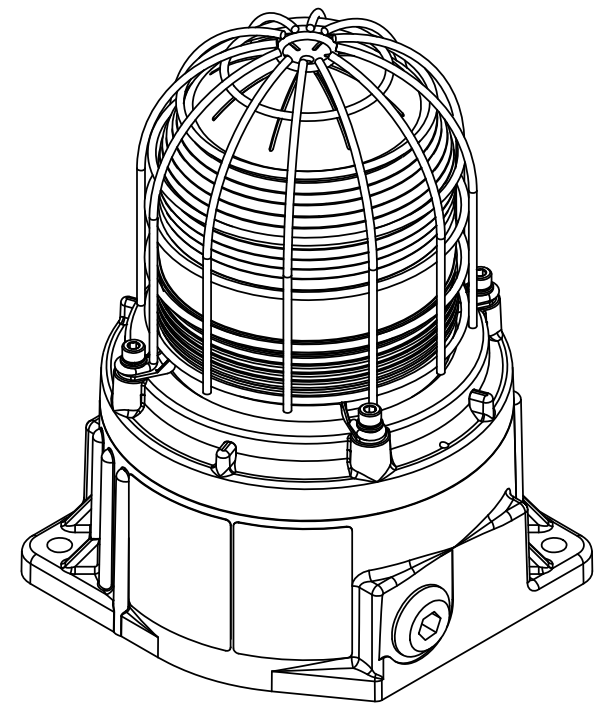
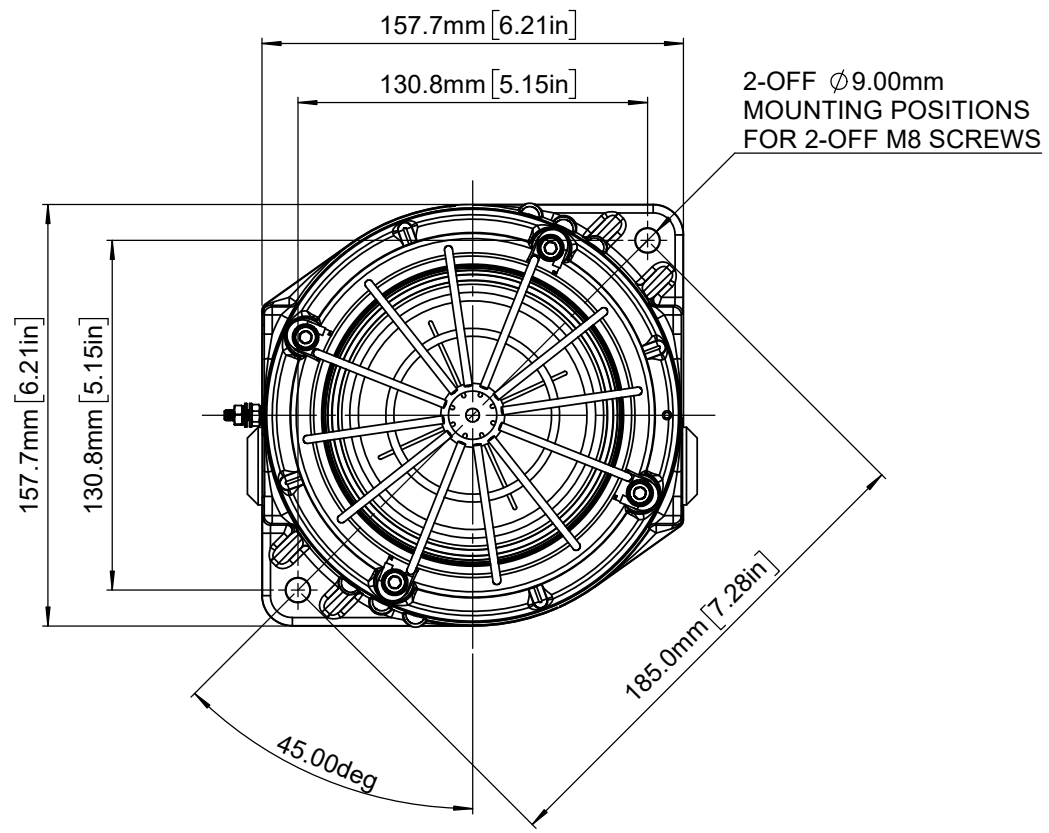


ISSUE	MOD No.	REASON - INITIAL - DATE
1		INTRODUCTION JS 22-03-2021
2		LABEL NOTES ADDED MM 31-07-2023



E2S PART NO.	DESCRIPTION	DATA REFERENCE
GNExB2X05	GNExB2 05J XENON BEACON	1-21-030
GNExB2X10	GNExB2 10J XENON BEACON	1-21-040
GNExB2X15	GNExB2 15J XENON BEACON	1-21-050
GNExB2X21	GNExB2 21J XENON BEACON	1-21-052
GNExB2LD2	GNExB2 LED BEACON	1-21-054

NOTE:
FOR OPTIONAL DUTY LABEL SEE DRAWING D254-00-001
FOR OPTIONAL TAG PLATE SEE DRAWING D254-00-101

DRAWING TO BS8888:2000 GEOMETRIC TOLERANCES TO ISO1101:1983 LINEAR DIMENSIONAL TOLS ANGULAR DIMENSIONAL TOLS	DRAWN J.SPILLER	DATE 22-03-2021	SURFACE FINISH	WEIGHT (kg)	THIS DRAWING AND ANY INFORMATION OR DESCRIPTIVE MATTER THEREIN IS COMMUNICATED IN CONFIDENCE AND IS THE COPYRIGHT PROPERTY OF EUROPEAN SAFETY SYSTEMS LTD. NEITHER THE WHOLE OR ANY EXTRACT MAY BE DISCLOSED, LOANED, COPIED OR USED FOR MANUFACTURING OR TENDERING PURPOSES WITHOUT THEIR WRITTEN CONSENT.	 EUROPEAN SAFETY SYSTEMS LTD IMPRESS HOUSE MANSELL ROAD ACTON LONDON W3 7QH WWW.E2S.COM	ALL DIMENSIONS IN MM IF IN DOUBT, ASK - DO NOT SCALE			 A2
	CHECKED R.N.POTTS	DATE 22-03-2021					TITLE GNExB2X 05J/10J/15J/21J XENON BEACON & LED BEACON - OUTLINE DRAWING			
	APPROVED R.N.POTTS	DATE 22-03-2021					ALTERNATIVE MATERIAL	SCALE 1:2	SHEET 1 OF 1	