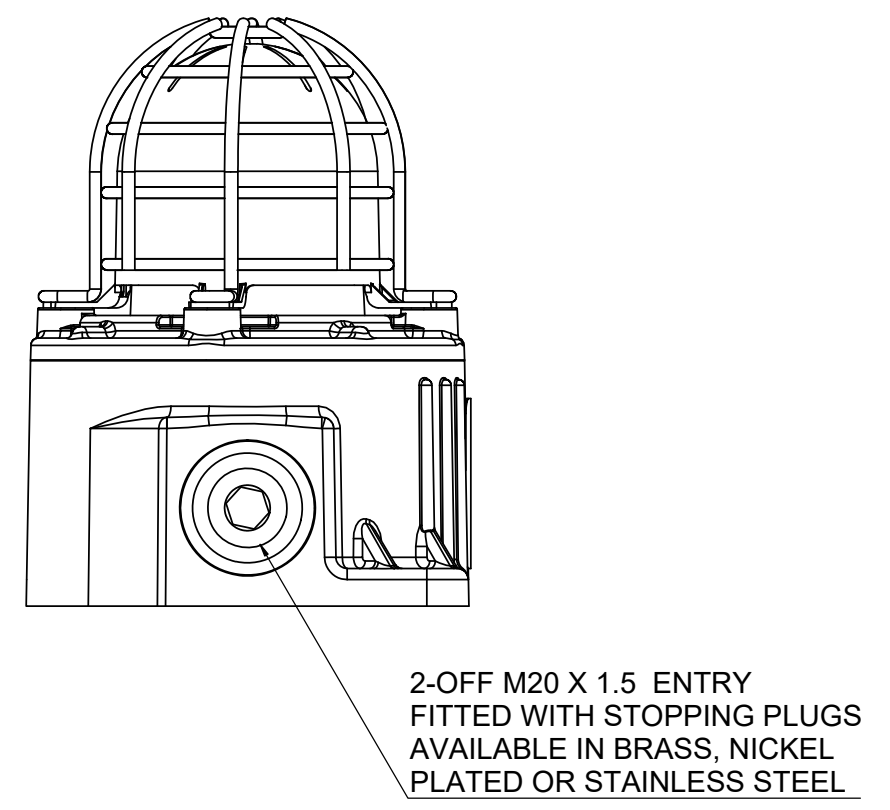
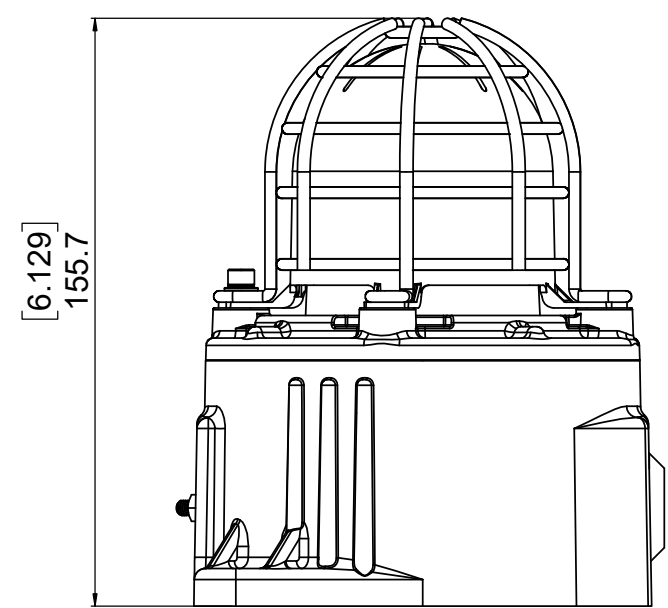
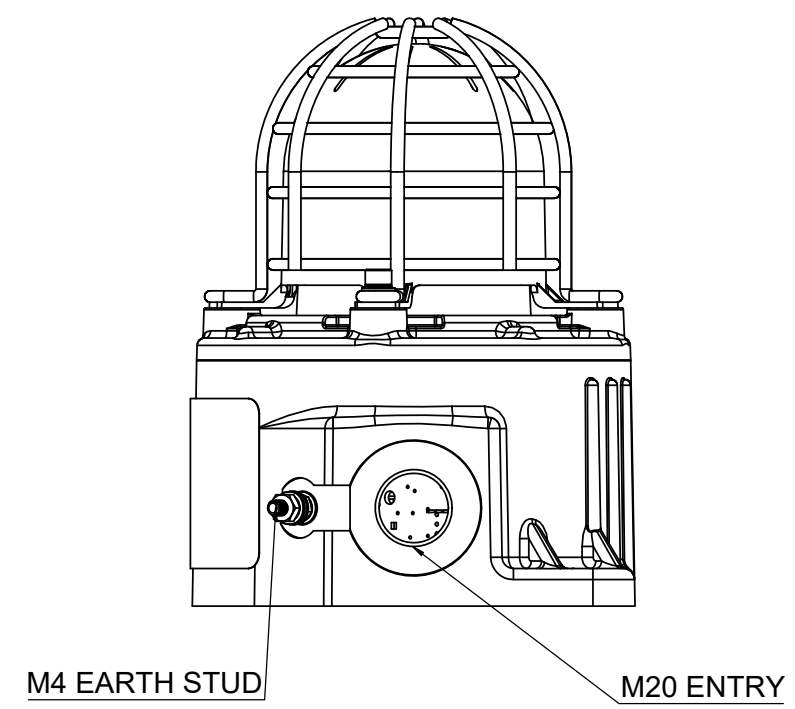
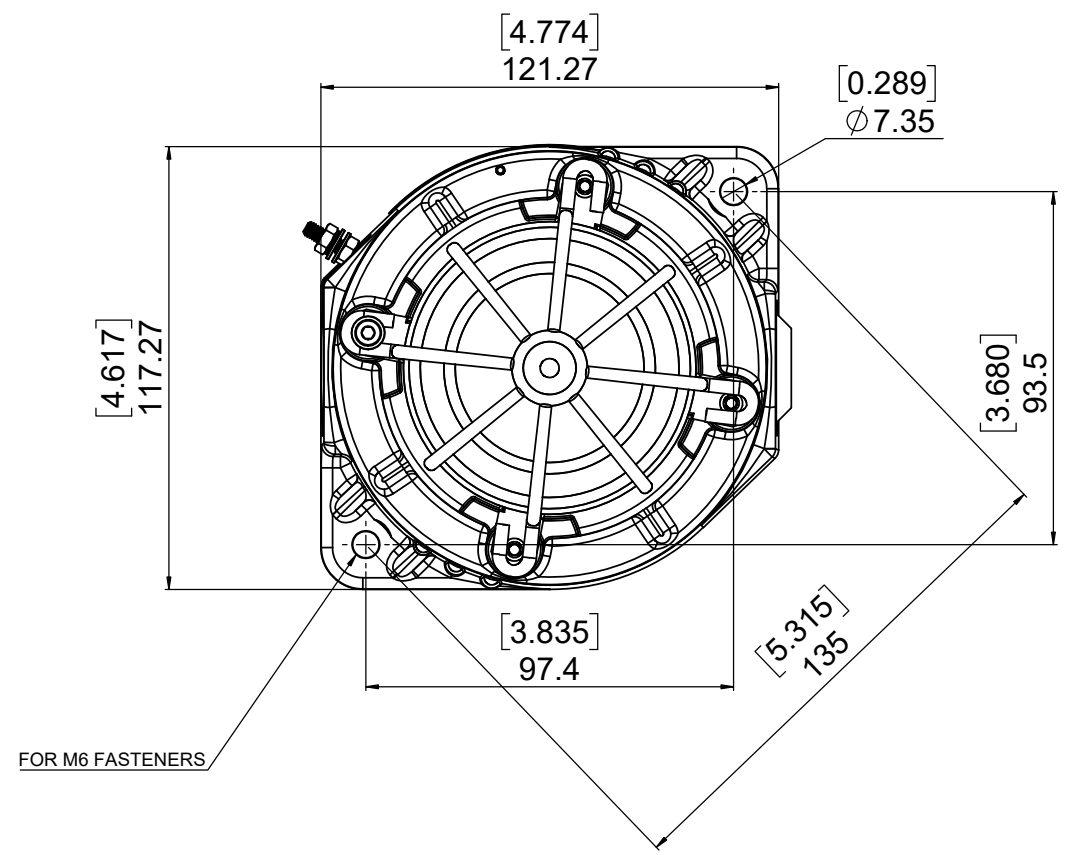


ISSUE	MOD No.	REASON - INITIAL - DATE
A		INTRODUCTION - JS - 22/05/20
B		LABEL NOTES ADDED MM 31-07-2023



E2S PART NO.	DESCRIPTION	DATA REFERENCE
GNExB1X05...	GNExB1 BEACON	1.21.020

NOTE:
FOR OPTIONAL DUTY LABEL SEE DRAWING D254-00-001
FOR OPTIONAL TAG PLATE SEE DRAWING D254-00-101

DIMENSION IN MM & [INCHES]

DRAWING TO BS888:2000 GEOMETRIC TOLERANCES TO ISO1101:1983 LINEAR DIMENSIONAL TOLS ANGULAR DIMENSIONAL TOLS	DRAWN	DATE	HOUSING FINISH	WEIGHT (kg)	THIS DRAWING AND ANY INFORMATION OR DESCRIPTIVE MATTER THEREIN IS COMMUNICATED IN CONFIDENCE AND IS THE COPYRIGHT PROPERTY OF EUROPEAN SAFETY SYSTEMS LTD. NEITHER THE WHOLE OR ANY EXTRACT MAY BE DISCLOSED, LOANED, COPIED OR USED FOR MANUFACTURING OR TENDERING PURPOSES WITHOUT THEIR WRITTEN CONSENT.	 EUROPEAN SAFETY SYSTEMS LTD IMPRESS HOUSE MANSELL ROAD ACTON LONDON W3 7QH WWW.E2S.COM	<small>ALL DIMENSIONS IN MM IF IN DOUBT, ASK - DO NOT SCALE</small>		A1
	CHECKED	DATE	HOUSING MATERIAL	1.5KG / 3.3LBS					
STANDARDS GNExB1	APPROVED	DATE	UV STABLE GRP (GLASS REINFORCED PLASTIC)	ALTERNATIVE MATERIAL	 EUROPEAN SAFETY SYSTEMS LTD. AS PER LATEST DATE OF ISSUE SHOWN ABOVE.	<small>TITLE</small> GNExB1 BEACON OUTLINE DRAWING	<small>SCALE</small> 1:1	<small>SHEET</small> 1 OF 1	<small>DRAWING NUMBER</small> D155-05-201