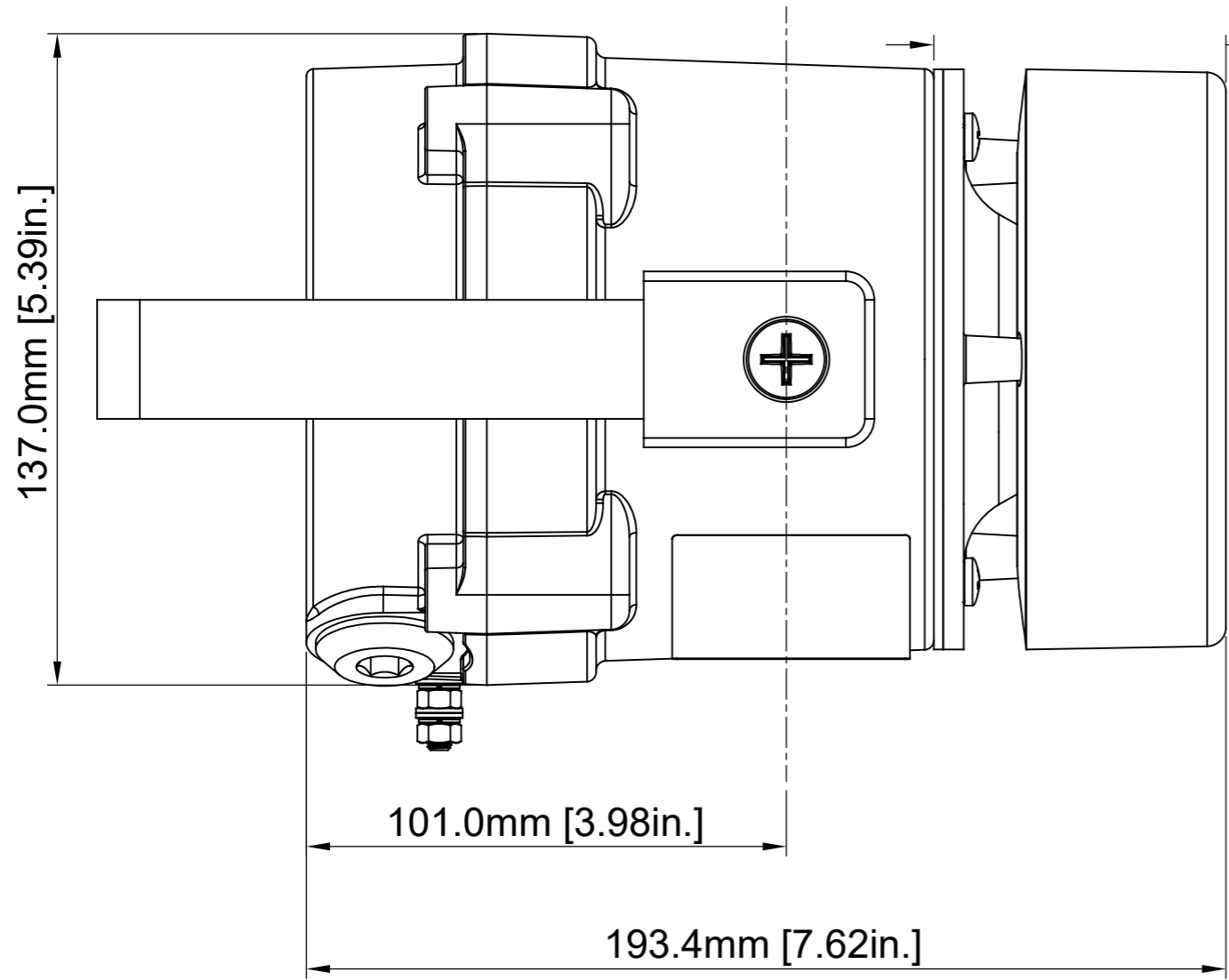


ISSUE	MOD No.	INITIAL/DATE
1		TAKEN FROM SK0257 RSR 15-11-2022
2		LABEL NOTES ADDED MM 31-07-2023



61.4mm [2.42in.]

2-OFF M20 X 1.5mm
ENTRIES
1-OFF STOPPING
PLUG INCL.

3.0mm [0.12in.]

12.5mm [0.49in.]

3-OFF Ø7.0mm [Ø0.28 in.]
MOUNTING HOLES

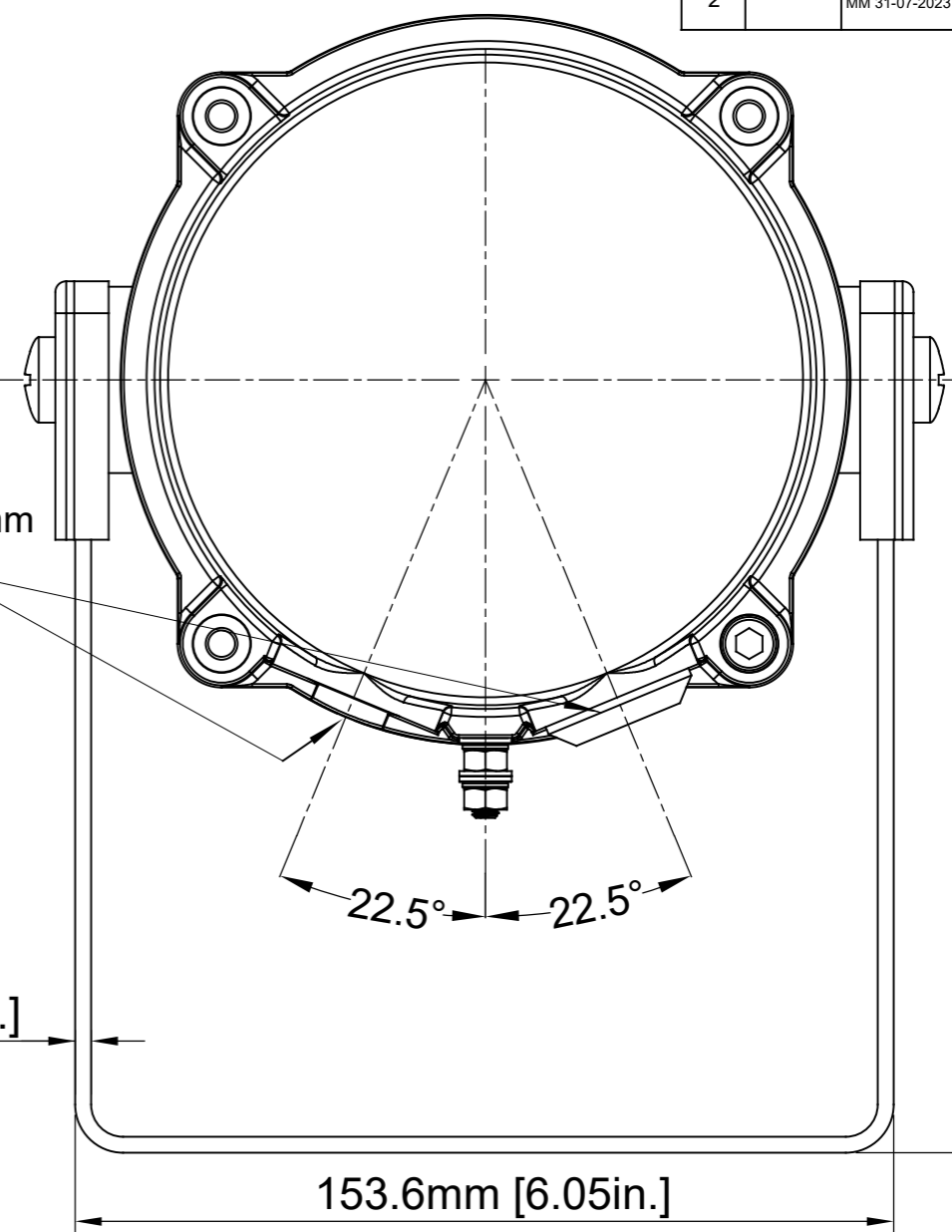
30.0mm [1.18in.]

30.0mm [1.18in.]

25.0mm [0.98in.]

153.6mm [6.05in.]

145.0mm [5.71in.]



E2S PART NO.	DESCRIPTION	DATA REFERENCE
BExS110D-R...	BExS110 RADIAL HORN ALARM SOUNDERS (Ex d VERSION)	1.22.060
BExH120D-R...	BExH120 RADIAL HORN 'HOOTRONIC' SIREN	1.22.080

NOTE:
FOR OPTIONAL DUTY LABEL SEE DRAWING D254-00-001
FOR OPTIONAL TAG PLATE SEE DRAWING D254-00-101

DRAWING TO BS8888:2000 GEOMETRIC TOLERANCES TO ISO1101:1983 LINEAR DIMENSIONAL TOLS ANGULAR DIMENSIONAL TOLS	DRAWN R.RAIT	DATE 06-09-2022	SURFACE FINISH	WEIGHT (Kg)	THIS DRAWING AND ANY INFORMATION OR DESCRIPTIVE MATTER THEREIN IS COMMUNICATED IN CONFIDENCE AND IS THE COPYRIGHT PROPERTY OF EUROPEAN SAFETY SYSTEMS LTD. NEITHER THE WHOLE OR ANY EXTRACT MAY BE DISCLOSED, LOANED, COPIED OR USED FOR MANUFACTURING OR TENDERING PURPOSES WITHOUT THEIR WRITTEN CONSENT.	 warning signals EUROPEAN SAFETY SYSTEMS LTD IMPRESS HOUSE MANSELL ROAD ACTON LONDON W3 7QH WWW.E2S.COM	ALL DIMENSIONS IN MM IF IN DOUBT, ASK - DO NOT SCALE	 A2		
	CHECKED B.ISARD	DATE 06-09-2022							MATERIAL	
	APPROVED R.POTTS	DATE 06-09-2022							ALTERNATIVE MATERIAL	
STANDARDS					© EUROPEAN SAFETY SYSTEMS LTD. AS PER LATEST DATE OF ISSUE SHOWN ABOVE	 warning signals EUROPEAN SAFETY SYSTEMS LTD IMPRESS HOUSE MANSELL ROAD ACTON LONDON W3 7QH WWW.E2S.COM	TITLE BEx S110/H120 Ex d RANGE - RADIAL HORN SOUNDER OUTLINE	SCALE NTS	SHEET 1 OF 1	DRAWING NUMBER D210-05-021