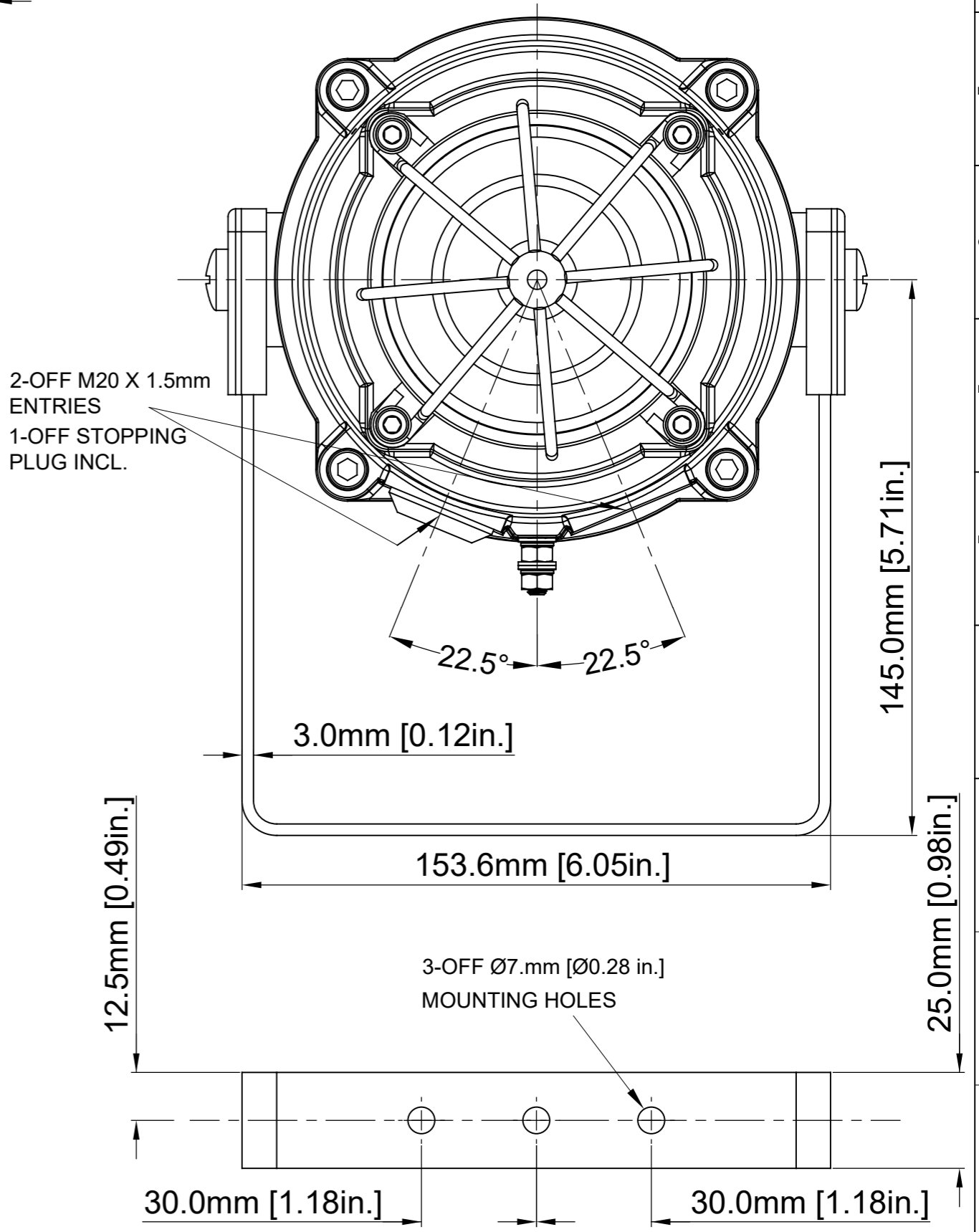
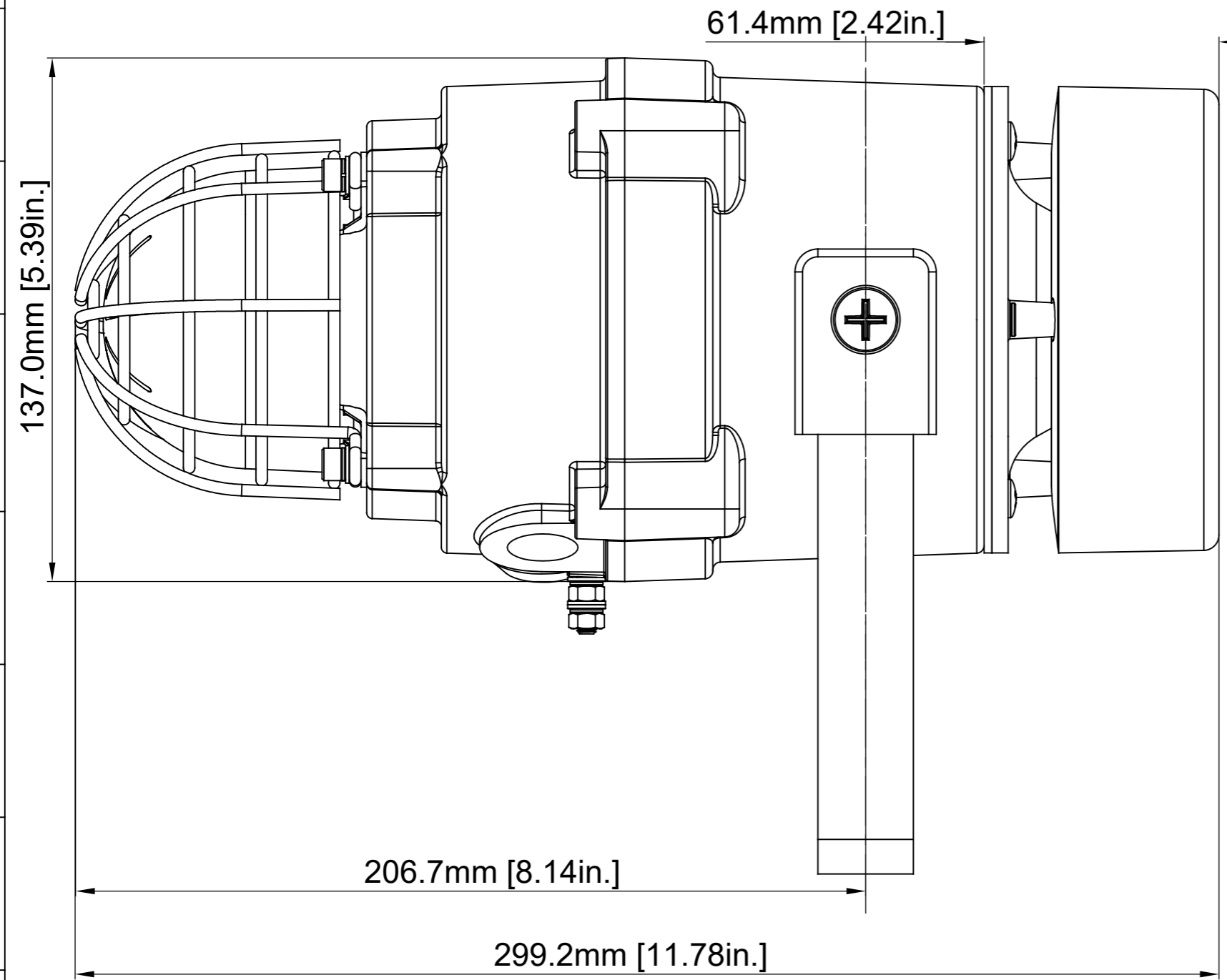


ISSUE	MOD No.	INITIAL/DATE
1		TAKEN FROM SK0259 RSR 15-11-2022
2		LABEL NOTES ADDED MM 31-07-2023



E2S PART NO.	DESCRIPTION	DATA REFERENCE
BExCS110-05D-P-R...	BExCS110-05 RADIAL COMBINATION HORN & STROBE	1.23.020
BExCS110-L2D-P-R...	BExCS110-L2 RADIAL COMBINATION HORN & LED	1.23.041

NOTE:
FOR OPTIONAL DUTY LABEL SEE DRAWING D254-00-001
FOR OPTIONAL TAG PLATE SEE DRAWING D254-00-101

DRAWING TO BS8888:2000 GEOMETRIC TOLERANCES TO ISO1101:1983 LINEAR DIMENSIONAL TOLS ANGULAR DIMENSIONAL TOLS	DRAWN R.RAIT	DATE 06-09-2022	SURFACE FINISH	WEIGHT (Kg)	THIS DRAWING AND ANY INFORMATION OR DESCRIPTIVE MATTER THEREIN IS COMMUNICATED IN CONFIDENCE AND IS THE COPYRIGHT PROPERTY OF EUROPEAN SAFETY SYSTEMS LTD. NEITHER THE WHOLE OR ANY EXTRACT MAY BE DISCLOSED, LOANED, COPIED OR USED FOR MANUFACTURING OR TENDERING PURPOSES WITHOUT THEIR WRITTEN CONSENT.	 warning signals EUROPEAN SAFETY SYSTEMS LTD IMPRESS HOUSE MANSELL ROAD ACTON LONDON W3 7QH WWW.E2S.COM	ALL DIMENSIONS IN MM IF IN DOUBT, ASK - DO NOT SCALE	 A2
	CHECKED B.ISARD	DATE 06-09-2022	MATERIAL	TITLE BExCS110 Ex d RANGE - RADIAL COMBINED UNIT OUTLINE				
	APPROVED R.POTTS	DATE 06-09-2022	ALTERNATIVE MATERIAL	SCALE NTS			SHEET 1 OF 1	