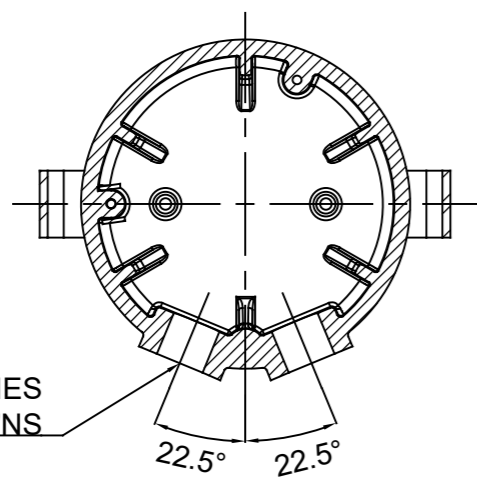
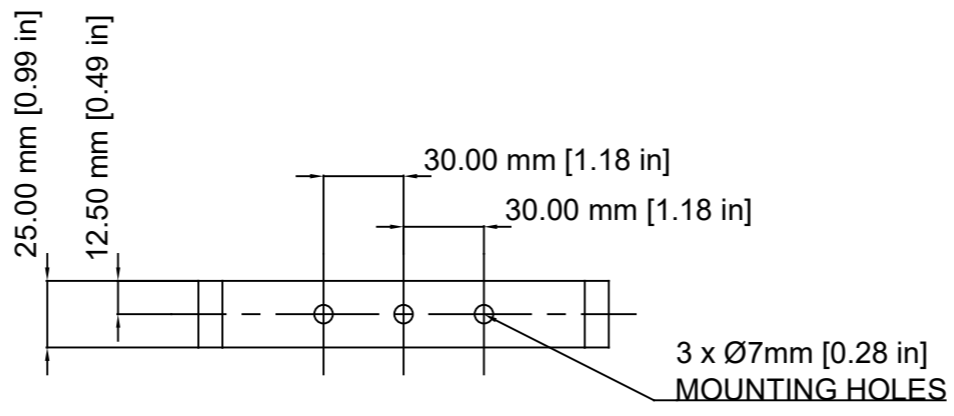
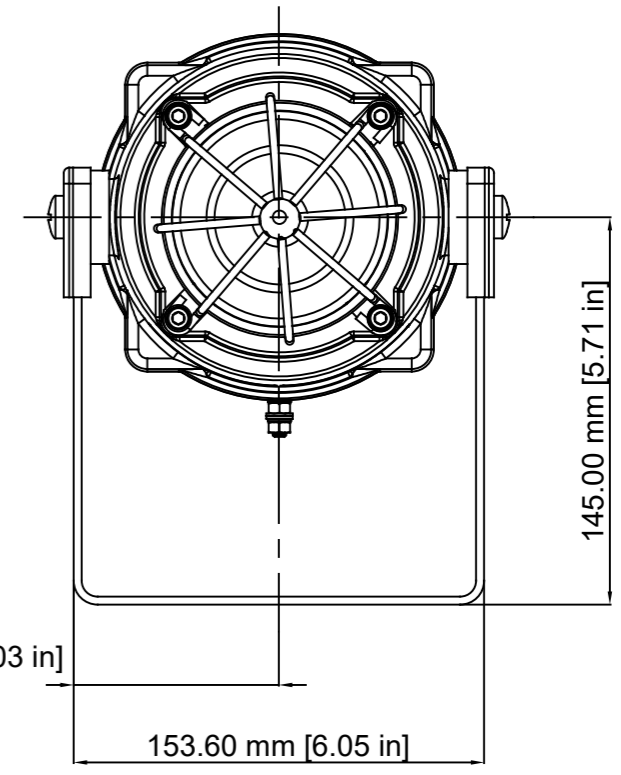
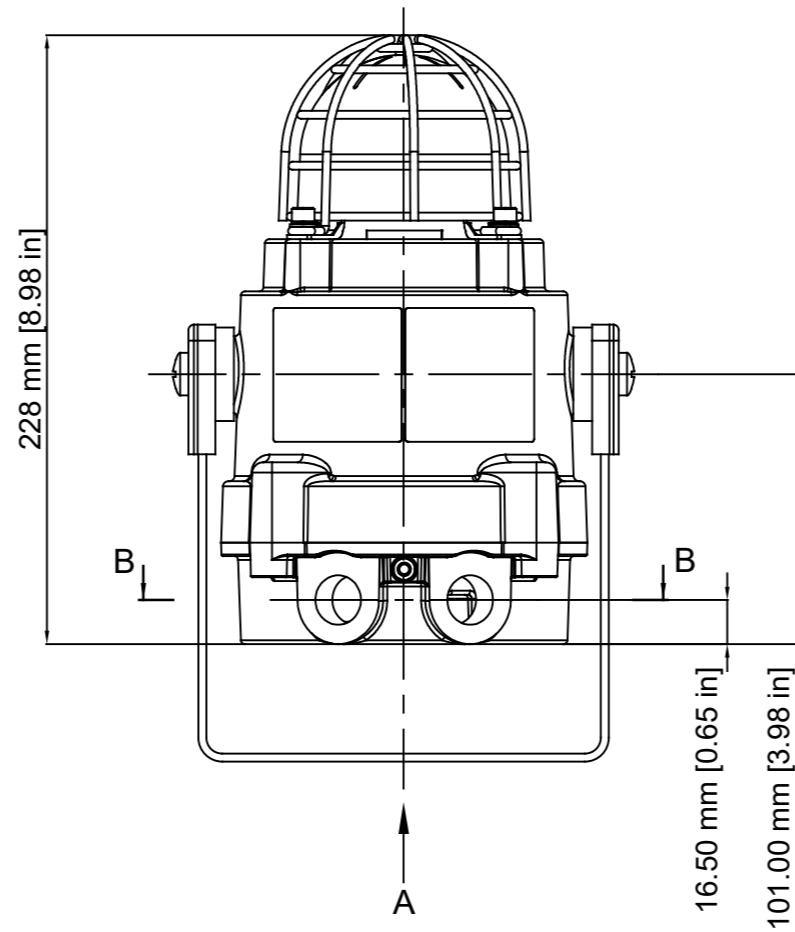


ISSUE	MOD No.	INITIAL/DATE
1		INTRODUCTION MA 02-08-2021
2		AMENDED CODES RSR 16-09-2022
3		LABEL NOTES ADDED MM 31-07-2023



SECTION B-B
SCALE 1:2



SCRAP VIEW IN DIRECTION 'A'

NOTE:
VENDER TO PROVIDE DATASHEET

E2S PART NO.	DESCRIPTION	DATA REFERENCE
BExBG05D-P...	BExBG05 XENON BEACON (Ex d VERSION)	1.21.110
BExBG10D-P...	BExBG10 XENON BEACON (Ex d VERSION)	1.21.120
BExBG15D-P...	BExBG15 XENON BEACON (Ex d VERSION)	1.21.130
BExBG21D-P...	BExBG21 XENON BEACON	1.21.090
BExBGL2D-P...	BExBGL2 LED BEACON	1.21.101
BExTBG05D-P...	BETxBG05 ZONE 1, 2, 21 & 22 TELEPHONE BEACON	1.21.150

NOTE:
FOR OPTIONAL DUTY LABEL SEE DRAWING D254-00-001
FOR OPTIONAL TAG PLATE SEE DRAWING D254-00-101

DRAWING TO BS8888:2000 GEOMETRIC TOLERANCES TO ISO1101:1983 LINEAR DIMENSIONAL TOLS ANGULAR DIMENSIONAL TOLS	DRAWN M.ABALOS	DATE 02-08-2021	SURFACE FINISH	WEIGHT (Kg)	THIS DRAWING AND ANY INFORMATION OR DESCRIPTIVE MATTER THEREIN IS COMMUNICATED IN CONFIDENCE AND IS THE COPYRIGHT PROPERTY OF EUROPEAN SAFETY SYSTEMS LTD. NEITHER THE WHOLE OR ANY EXTRACT MAY BE DISCLOSED, LOANED, COPIED OR USED FOR MANUFACTURING OR TENDERING PURPOSES WITHOUT THEIR WRITTEN CONSENT.	 warning signals EUROPEAN SAFETY SYSTEMS LTD IMPRESS HOUSE MANSELL ROAD ACTON LONDON W3 7QH WWW.E2S.COM	ALL DIMENSIONS IN MM IF IN DOUBT, ASK - DO NOT SCALE		A2
	STANDARDS	CHECKED B.ISARD	DATE 02-08-2021	MATERIAL					
					EUROPEAN SAFETY SYSTEMS LTD. AS PER LATEST DATE OF ISSUE SHOWN ABOVE	TITLE BExBG Ex d BEACON OUTLINE			
					©	SCALE 1:2	SHEET 1 OF 1	DRAWING NUMBER D210-05-201	