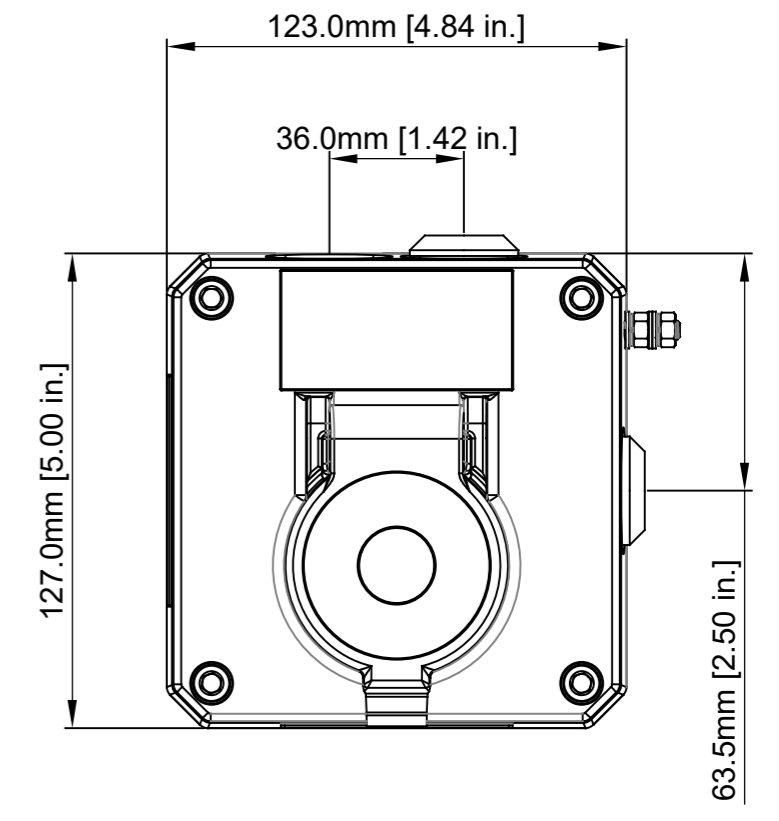
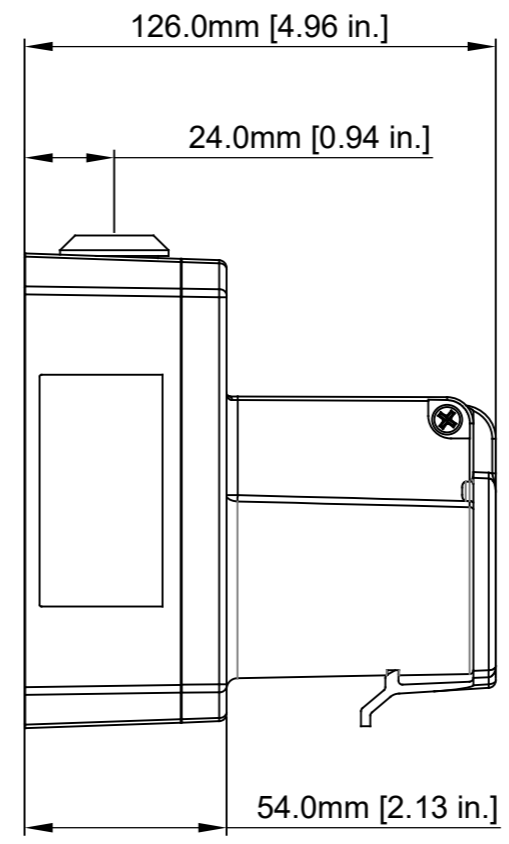
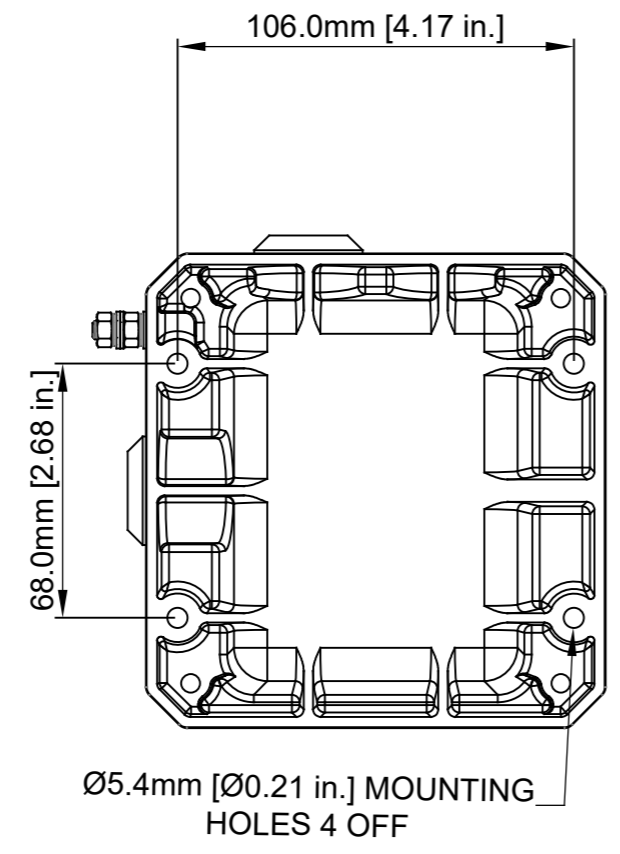
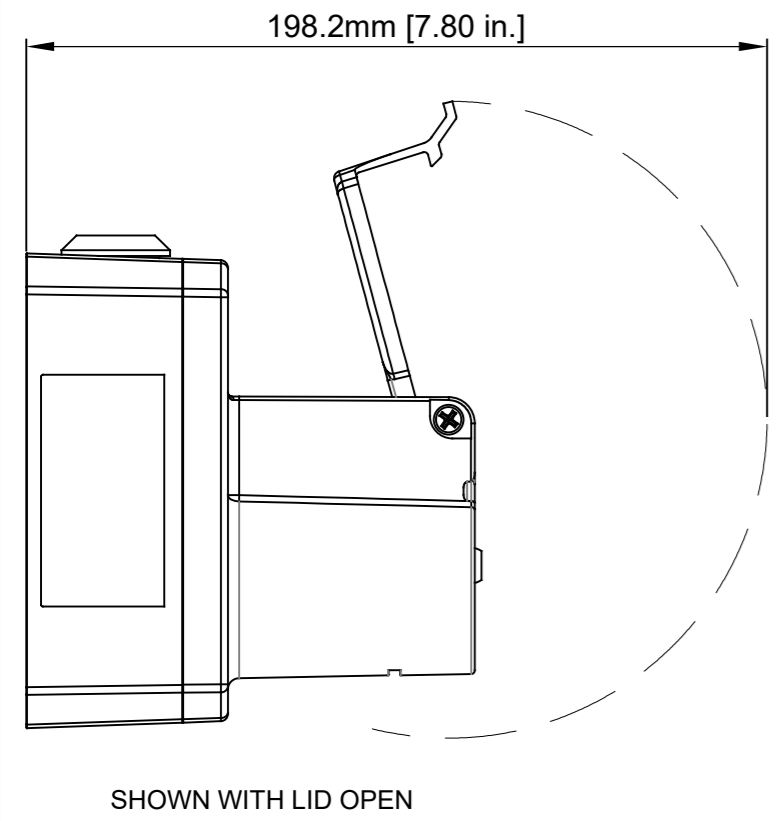
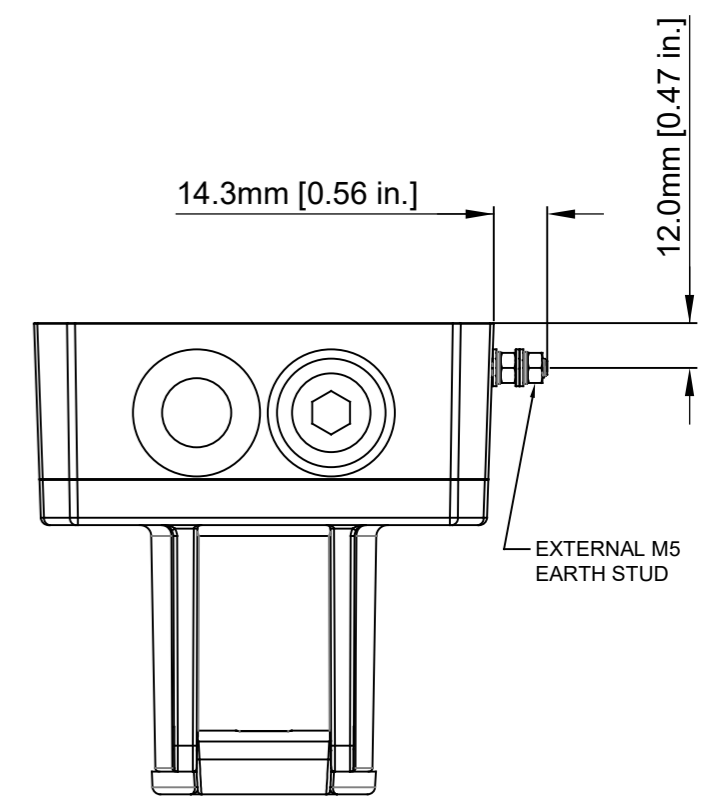
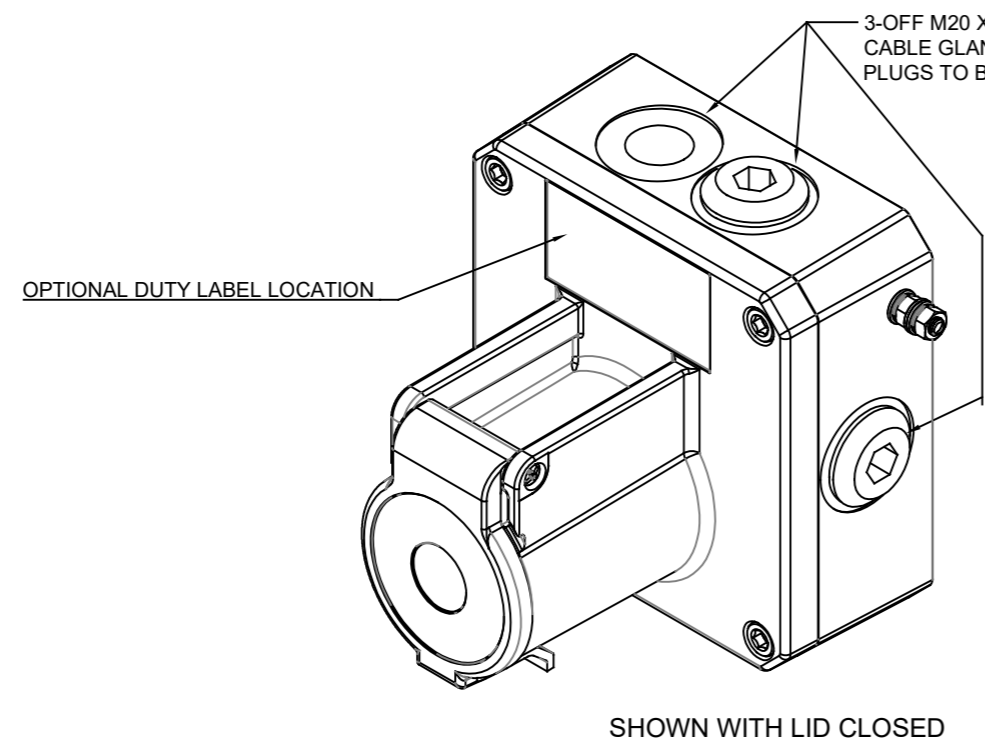


ISSUE	MOD No.	INITIAL/DATE
A		DRAWING CREATED FROM SK0450 RSR 03-02-2020
B		OPTIONAL TAG REMOVED LABEL NOTES ADDED MM 31-07-2023



E2S PART NO.	DESCRIPTION	DATA REFERENCE
STExCP8-PM...	STAINLESS STEEL CP8 PUSH BUTTON (MOMENTARY) CALL POINT	1.24.130
STExCP8-PT...	STAINLESS STEEL CP8 PUSH BUTTON (TOOL RESET) CALL POINT	1.24.130

NOTE:
 FOR OPTIONAL DUTY LABEL SEE DRAWING D254-00-011
 FOR OPTIONAL TAG PLATE SEE DRAWING D254-00-111

DRAWING TO BS 8886:2000 GEOMETRIC TOLERANCES TO ISO 1101:1983 LINEAR DIMENSION TOLS ANGULAR DIMENSION TOLS	DRAWN R.S. RAIT	DATE 24-10-16	SURFACE FINISH	WEIGHT (Kg)	THIS DRAWING AND ANY INFORMATION OR DESCRIPTIVE MATTER THEREIN IS COMMUNICATED IN CONFIDENCE AND IS THE COPYRIGHT PROPERTY OF EUROPEAN SAFETY SYSTEMS LTD. NEITHER THE WHOLE OR ANY EXTRACT MAY BE DISCLOSED, LOANED, COPIED OR USED FOR MANUFACTURING OR TENDERING PURPOSES WITHOUT THEIR WRITTEN CONSENT. © EUROPEAN SAFETY SYSTEMS LTD. AS PER LATEST DATE OF ISSUE SHOWN ABOVE.	 EUROPEAN SAFETY SYSTEMS LTD INFESS HOUSE MANSELL ROAD ACTON LONDON W3 7JH WWW.E2S.COM	ALL DIMENSIONS IN MM IF IN DOUBT, ASK - DO NOT SCALE	 A1
	STANDARDS	CHECKED B. ISARD	DATE 24-10-16	MATERIAL			ALTERNATIVE MATERIAL	