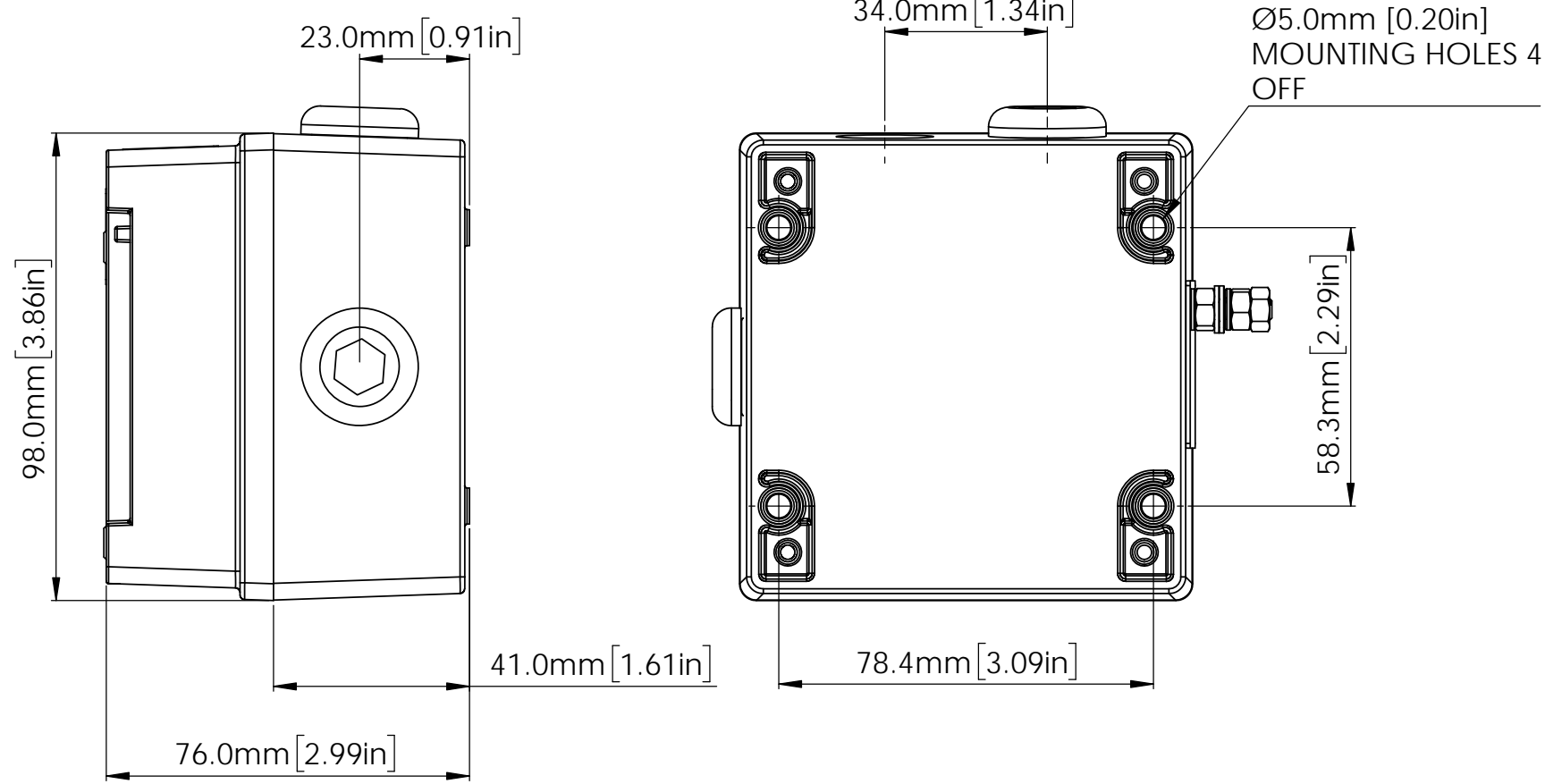
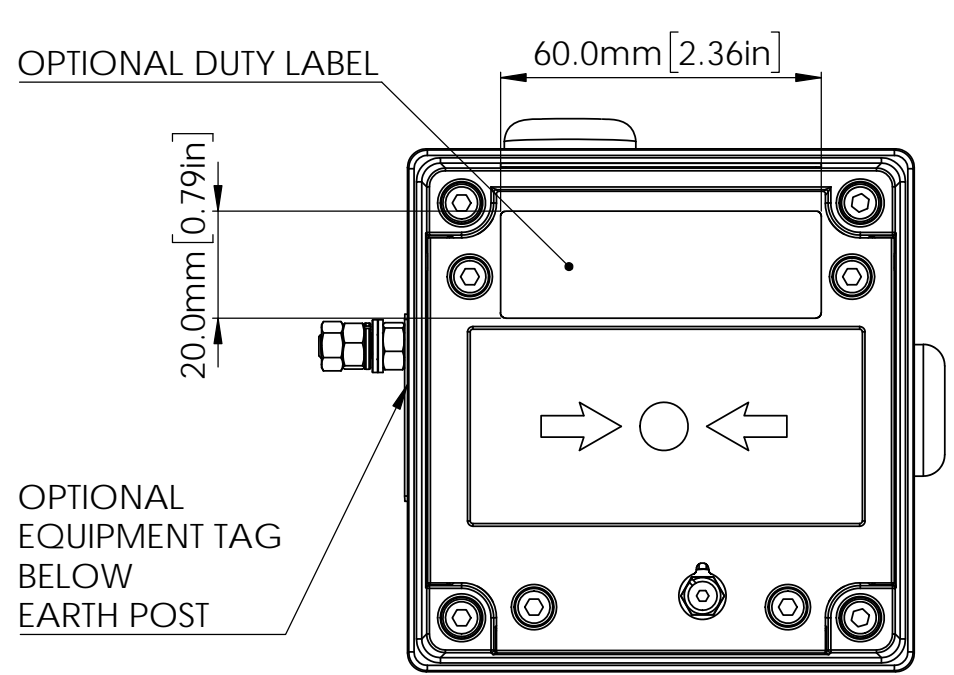
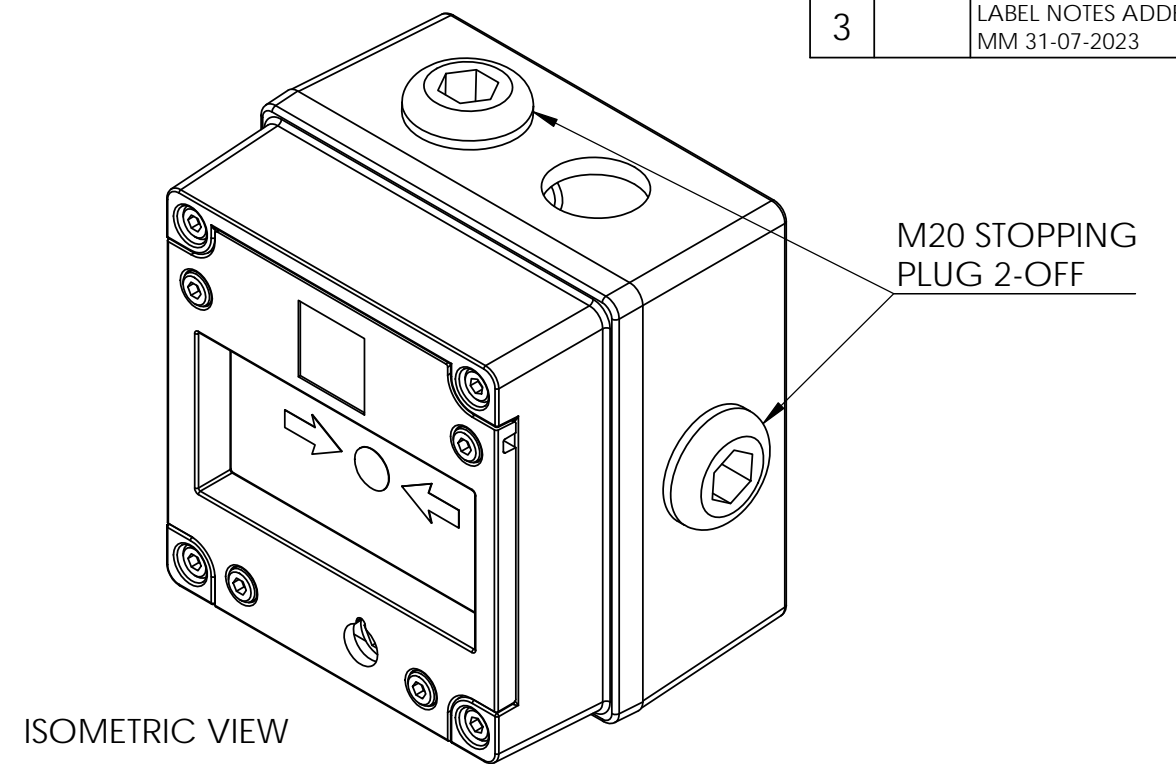
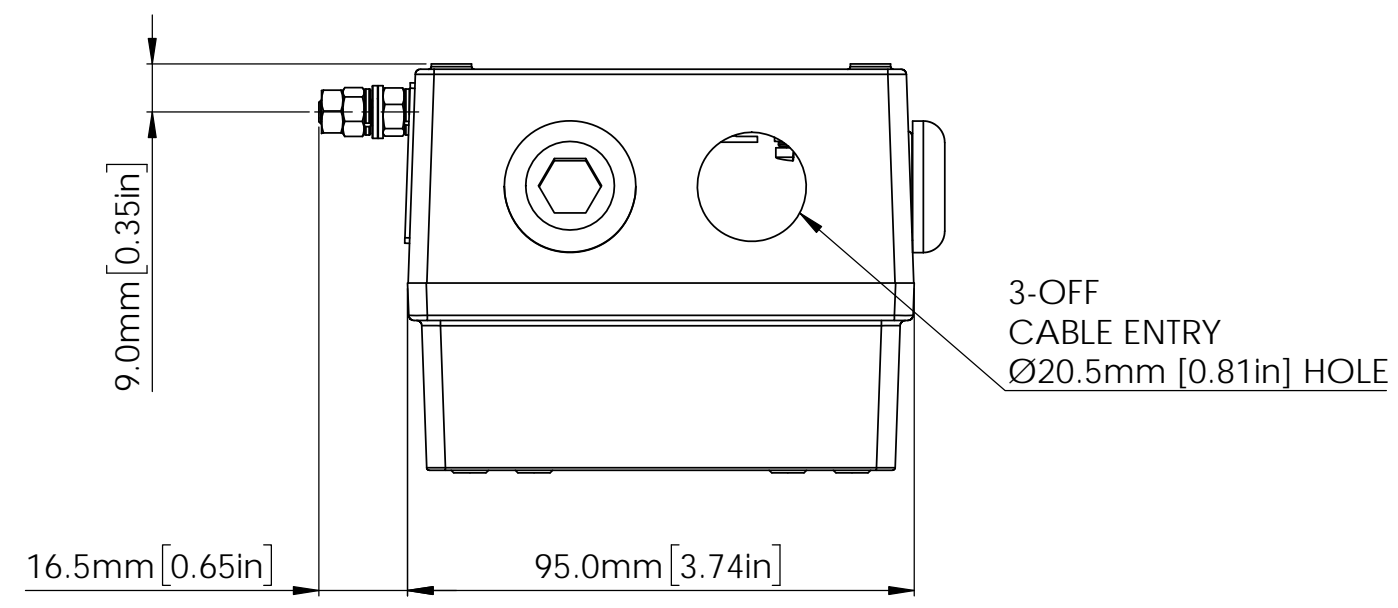


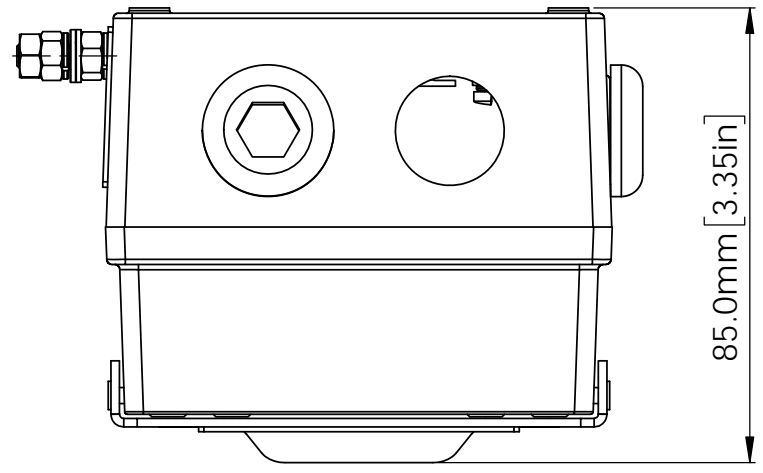
E2S PART NO.	DESCRIPTION	DATA REFERENCE	ISSUE	MOD No.	REASON - INITIAL - DATE
BExCP3A-BG BExCP3B-BG BExCP3C-BG BExCP3D-BG	BExCP3-BG BREAK GLASS MANUAL CALL POINT	1.24.070	1		INTRODUCTION DAH - 31-01-20
			2		SHEET 2 LIFT FLAP OPTION ADDED DAH - 23-11-20
IS-CP4A-BG IS-CP4B-BG	IS-CP4-BG BREAK GLASS MANUAL CALL POINT	1.14.010	3		LABEL NOTES ADDED MM 31-07-2023



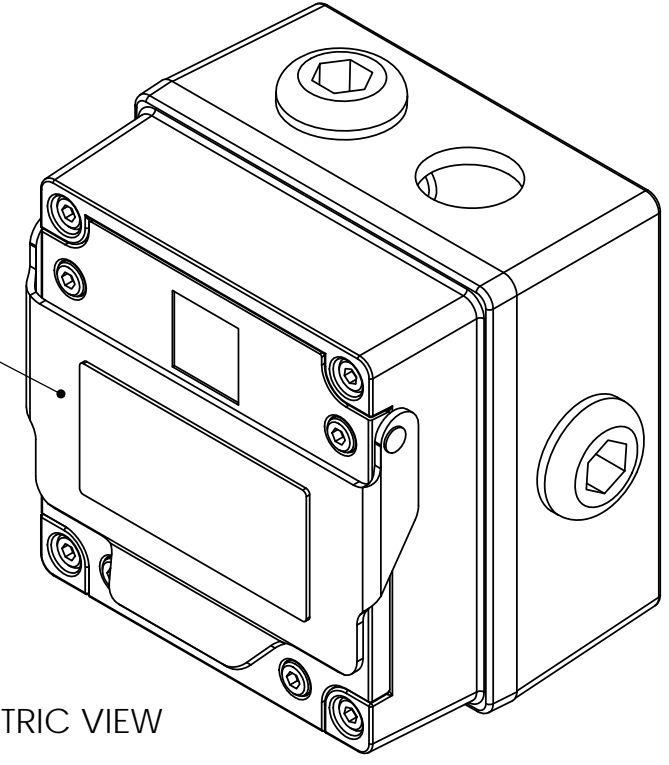
NOTE:  
FOR OPTIONAL DUTY LABEL SEE DRAWING D254-00-021  
FOR OPTIONAL TAG PLATE SEE DRAWING D254-00-111

DRAWING TO BS8888:2000 GEOMETRIC TOLERANCES TO ISO1101:1983 LINEAR DIMENSIONAL TOLS ANGULAR DIMENSIONAL TOLS	DRAWN D.HOWGILL	DATE 31-01-20	SURFACE FINISH POWDER COAT	WEIGHT (kg)	THIS DRAWING AND ANY INFORMATION OR DESCRIPTIVE MATTER THEREIN IS COMMUNICATED IN CONFIDENCE AND IS THE COPYRIGHT PROPERTY OF EUROPEAN SAFETY SYSTEMS LTD. NEITHER THE WHOLE OR ANY EXTRACT MAY BE DISCLOSED, LOANED, COPIED OR USED FOR MANUFACTURING OR TENDERING PURPOSES WITHOUT THEIR WRITTEN CONSENT.	 EUROPEAN SAFETY SYSTEMS LTD IMPRESS HOUSE MANSELL ROAD ACTON LONDON W3 7QH WWW.E2S.COM	ALL DIMENSIONS IN MM IF IN DOUBT, ASK - DO NOT SCALE			A2
	STANDARDS BExCP3 IS-CP4	CHECKED R.N.POTTS	DATE 31-01-20	MATERIAL			ALTERNATIVE MATERIAL	TITLE BExCP3-BG / IS-CP4-BG BREAK GLASS MANUAL CALL POINT OUTLINE		

E2S PART NO.	DESCRIPTION	DATA REFERENCE	ISSUE	MOD No.	REASON - INITIAL - DATE
BExCP3A-BG BExCP3B-BG BExCP3C-BG BExCP3D-BG	BExCP3-BG BREAK GLASS MANUAL CALL POINT	1.24.070	1		INTRODUCTION DAH - 31-01-20
			2		SHEET 2 LIFT FLAP OPTION ADDED DAH - 23-11-20
IS-CP4A-BG IS-CP4B-BG	IS-CP4-BG BREAK GLASS MANUAL CALL POINT	1.14.010	3		LABEL NOTES ADDED MM 31-07-2023

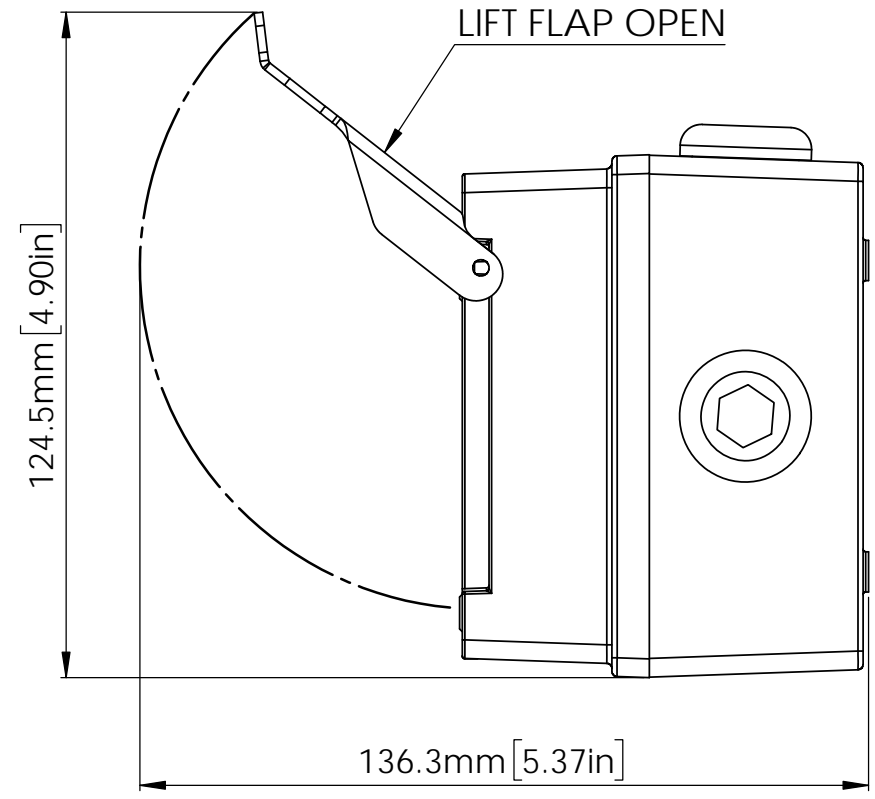
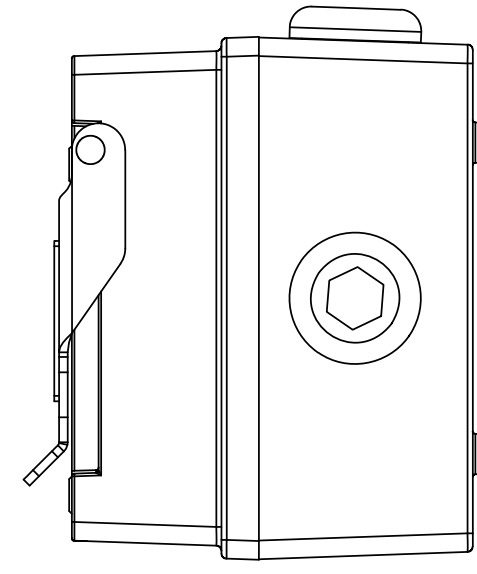
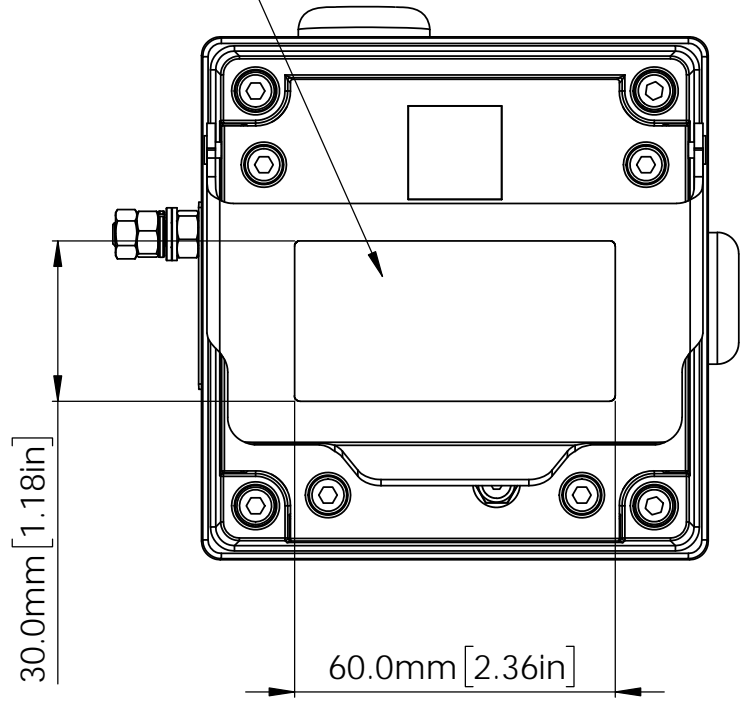


OPTIONAL  
LIFT FLAP



ISOMETRIC VIEW

OPTIONAL DUTY LABEL



NOTE:  
FOR OPTIONAL DUTY LABEL SEE DRAWING D254-00-011  
FOR OPTIONAL TAG PLATE SEE DRAWING D254-00-111

DRAWING TO BS8888:2000 GEOMETRIC TOLERANCES TO ISO1101:1983 LINEAR DIMENSIONAL TOLS ANGULAR DIMENSIONAL TOLS	DRAWN	DATE	SURFACE FINISH <b>POWDER COAT</b>	WEIGHT (kg)	THIS DRAWING AND ANY INFORMATION OR DESCRIPTIVE MATTER THEREIN IS COMMUNICATED IN CONFIDENCE AND IS THE COPYRIGHT PROPERTY OF EUROPEAN SAFETY SYSTEMS LTD. NEITHER THE WHOLE OR ANY EXTRACT MAY BE DISCLOSED, LOANED, COPIED OR USED FOR MANUFACTURING OR TENDERING PURPOSES WITHOUT THEIR WRITTEN CONSENT.	 EUROPEAN SAFETY SYSTEMS LTD IMPRESS HOUSE MANSELL ROAD ACTON LONDON W3 7QH WWW.E2S.COM	ALL DIMENSIONS IN MM IF IN DOUBT, ASK - DO NOT SCALE			<b>A2</b>
	CHECKED	DATE					TITLE <b>BExCP3-BG / IS-CP4-BG BREAK GLASS MANUAL CALL POINT OUTLINE</b>			
	STANDARDS BExCP3 IS-CP4	APPROVED	DATE	ALTERNATIVE MATERIAL			SCALE <b>1:1</b>	SHEET <b>2 OF 2</b>	DRAWING NUMBER <b>D150-05-001</b>	