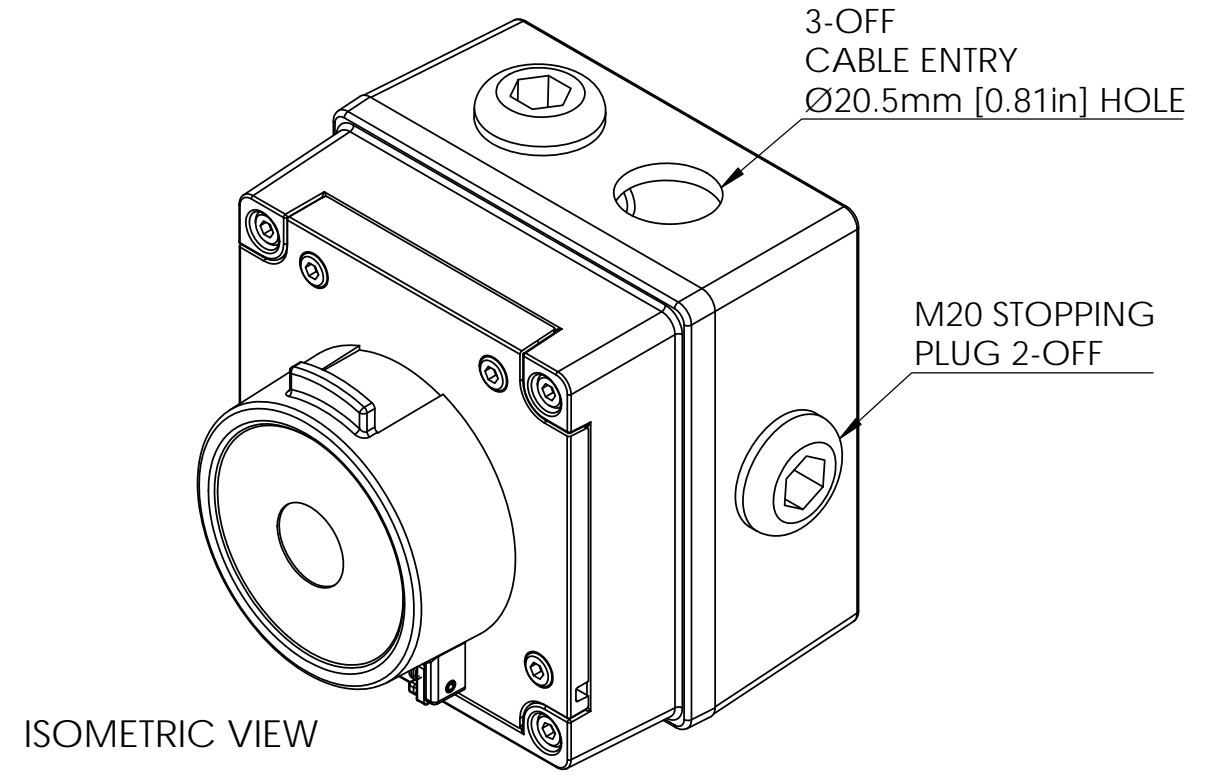
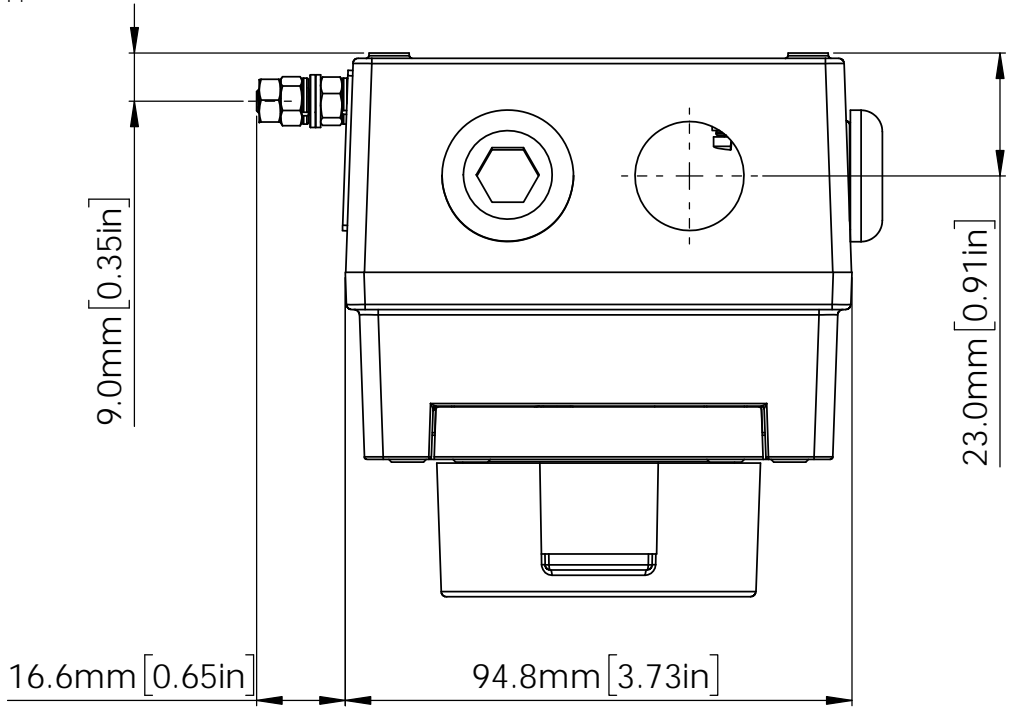
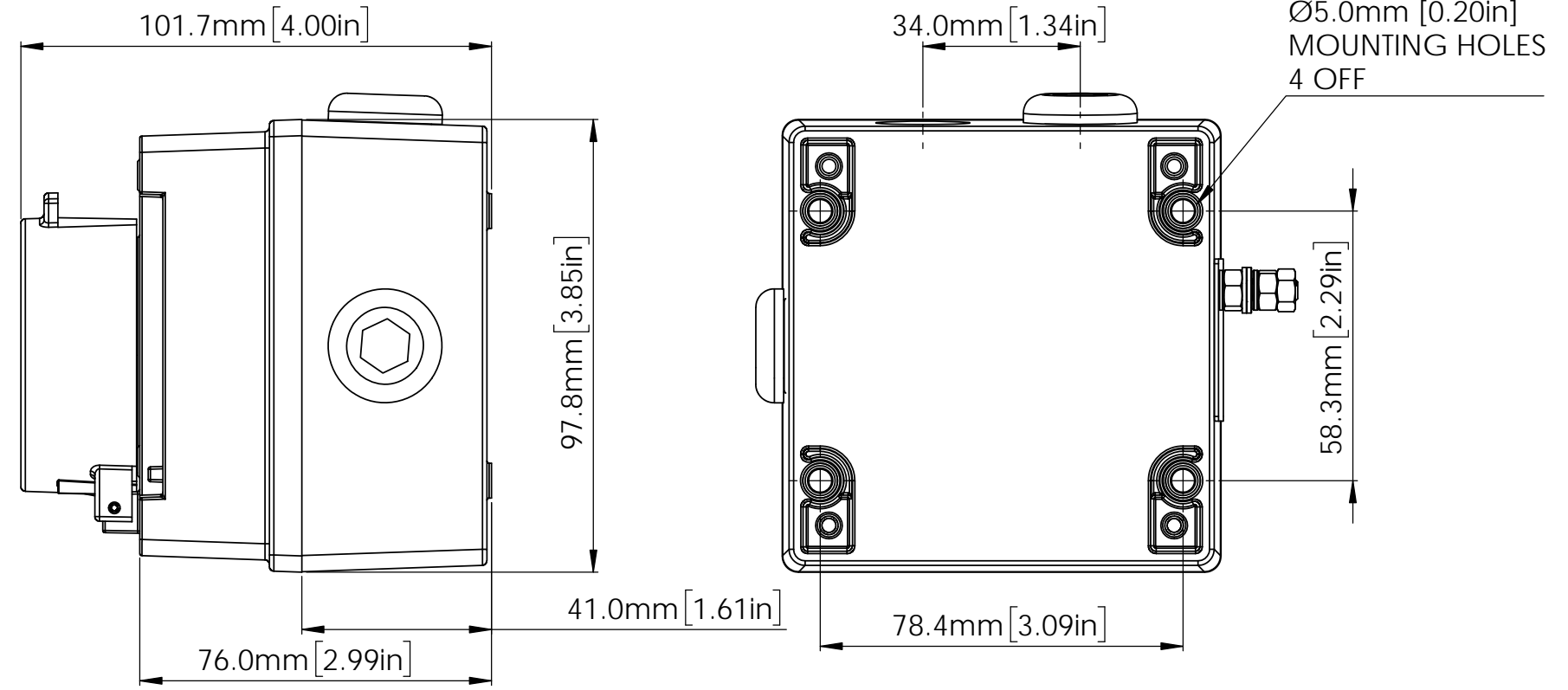
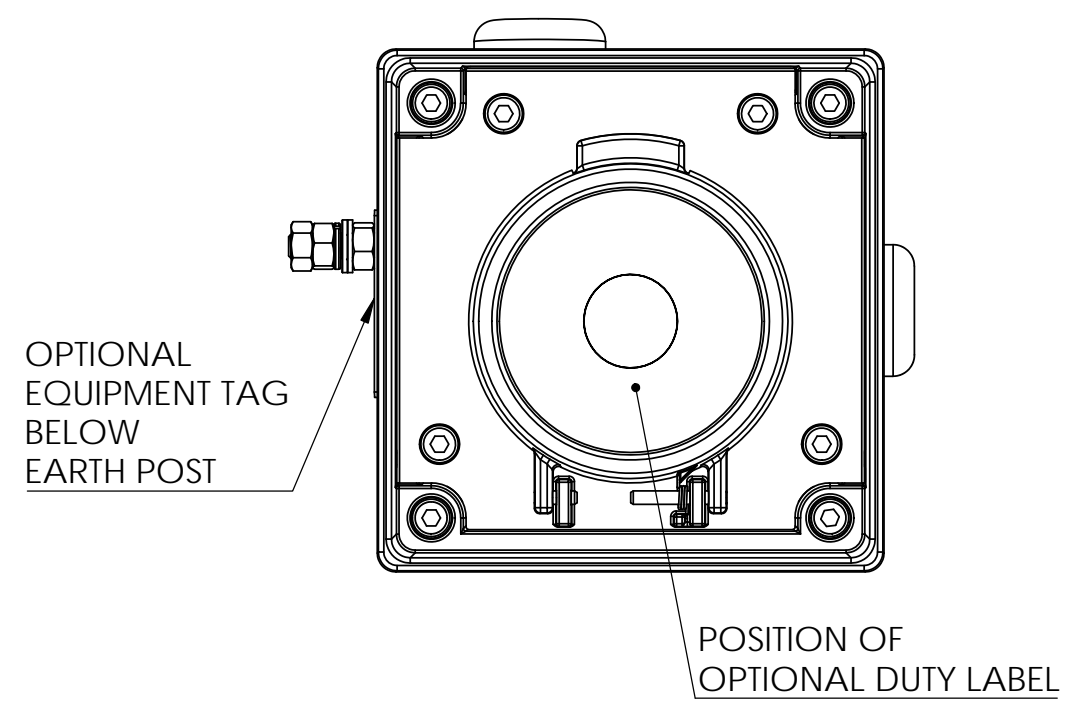


| ISSUE | MOD No. | REASON - INITIAL - DATE |
|-------|---------|------------------------------------|
| 1 | | INTRODUCTION DAH - 31-01-20 |
| 2 | | LABEL NOTES ADDED MM 31-07-2023 |

| E2S PART NO. | DESCRIPTION | DATA REFERENCE |
|--|---|----------------|
| BExCP3A-PB BExCP3B-PB BExCP3C-PB BExCP3D-PB | BExCP3-PB PUSH BUTTON MANUAL CALL POINT | 1.24.080 |
| BExCP3A-PT BExCP3B-PT BExCP3C-PT BExCP3D-PT | BExCP3-PT TOOL RESET MANUAL CALL POINT | 1.24.090 |
| IS-CP4A-PB IS-CP4B-PB | IS-CP4-PB PUSH BUTTON MANUAL CALL POINT | 1.14.020 |
| IS-CP4A-PT IS-CP4B-PT | IS-CP4-PT TOOL RESET MANUAL CALL POINT | 1.14.030 |



ISOMETRIC VIEW



NOTE:
FOR OPTIONAL DUTY LABEL SEE DRAWING D254-00-071
FOR OPTIONAL TAG PLATE SEE DRAWING D254-00-111

| | | | | | | | | | | |
|---|---|----------------------|-------------------------------|-------------|---|---|--|--------------|-----------------|-------------------------------|
| DRAWING TO BS8888:2000 GEOMETRIC TOLERANCES TO ISO1101:1983 LINEAR DIMENSIONAL TOLS ANGULAR DIMENSIONAL TOLS | DRAWN D.HOWGILL | DATE 31-01-20 | SURFACE FINISH POWDER COAT | WEIGHT (Kg) | THIS DRAWING AND ANY INFORMATION OR DESCRIPTIVE MATTER THEREIN IS COMMUNICATED IN CONFIDENCE AND IS THE COPYRIGHT PROPERTY OF EUROPEAN SAFETY SYSTEMS LTD. NEITHER THE WHOLE OR ANY EXTRACT MAY BE DISCLOSED, LOANED, COPIED OR USED FOR MANUFACTURING OR TENDERING PURPOSES WITHOUT THEIR WRITTEN CONSENT. | EUROPEAN SAFETY SYSTEMS LTD IMPRESS HOUSE MANSELL ROAD ACTON LONDON W3 7QH WWW.E2S.COM | ALL DIMENSIONS IN MM IF IN DOUBT, ASK - DO NOT SCALE | | A2 | |
| | STANDARDS BExCP3-PB/PT IS-CP4-PB/PT | CHECKED R.N.POTTS | DATE 31-01-20 | MATERIAL | | | | | | ALTERNATIVE MATERIAL |
| | APPROVED R.N.POTTS | DATE 31-01-20 | | | EUROPEAN SAFETY SYSTEMS LTD. AS PER LATEST DATE OF ISSUE SHOWN ABOVE | | TITLE BExCP3-PB / BExCP3-PT / IS-CP4-PB / IS-CP4-PT CALL POINT OUTLINE DRAWING | SCALE 1:1 | SHEET 1 OF 1 | DRAWING NUMBER D150-05-101 |