

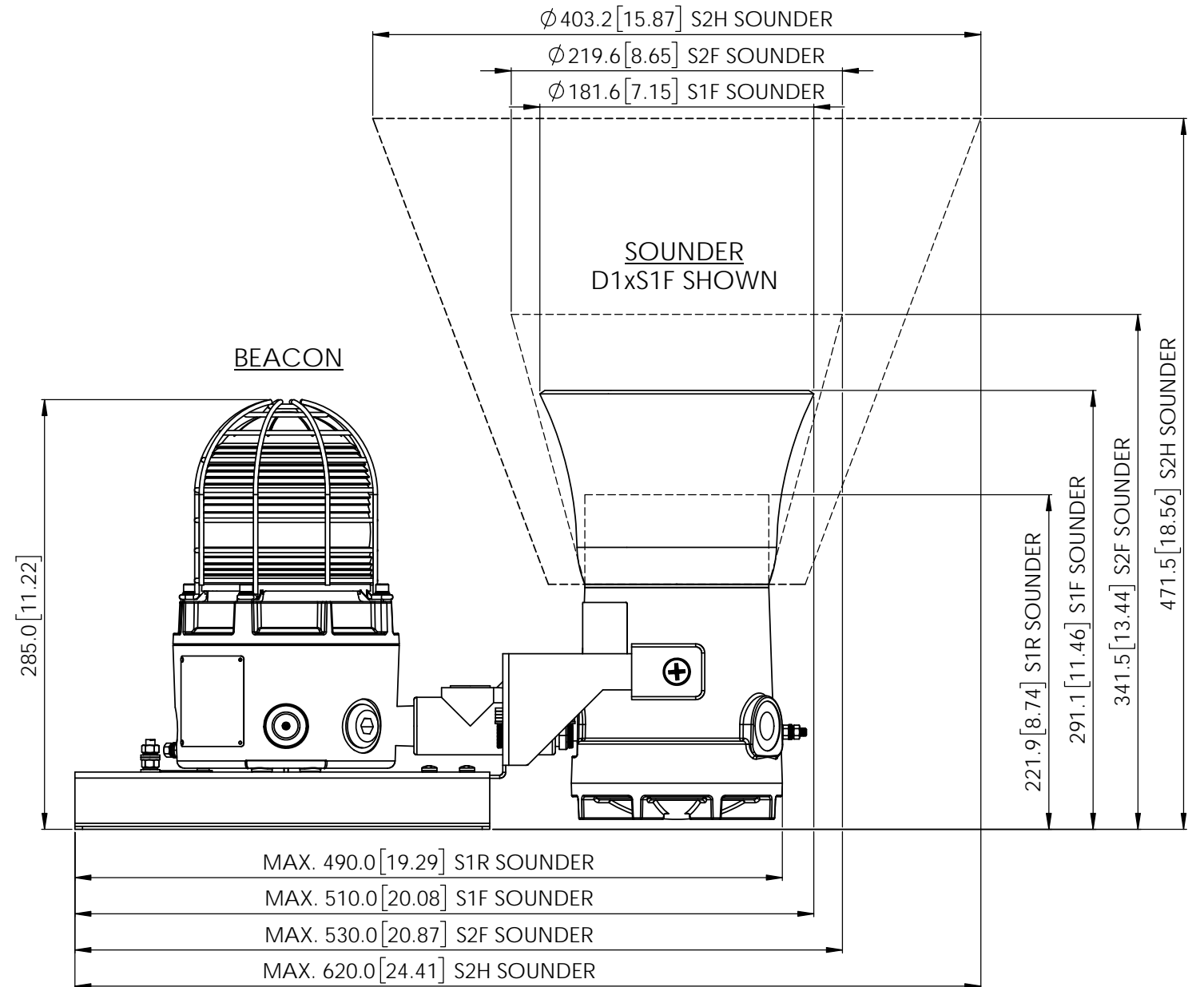
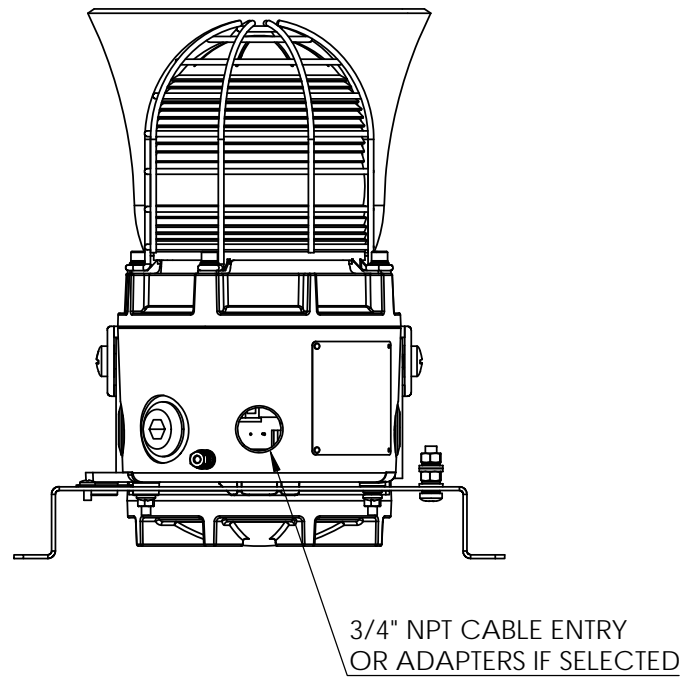
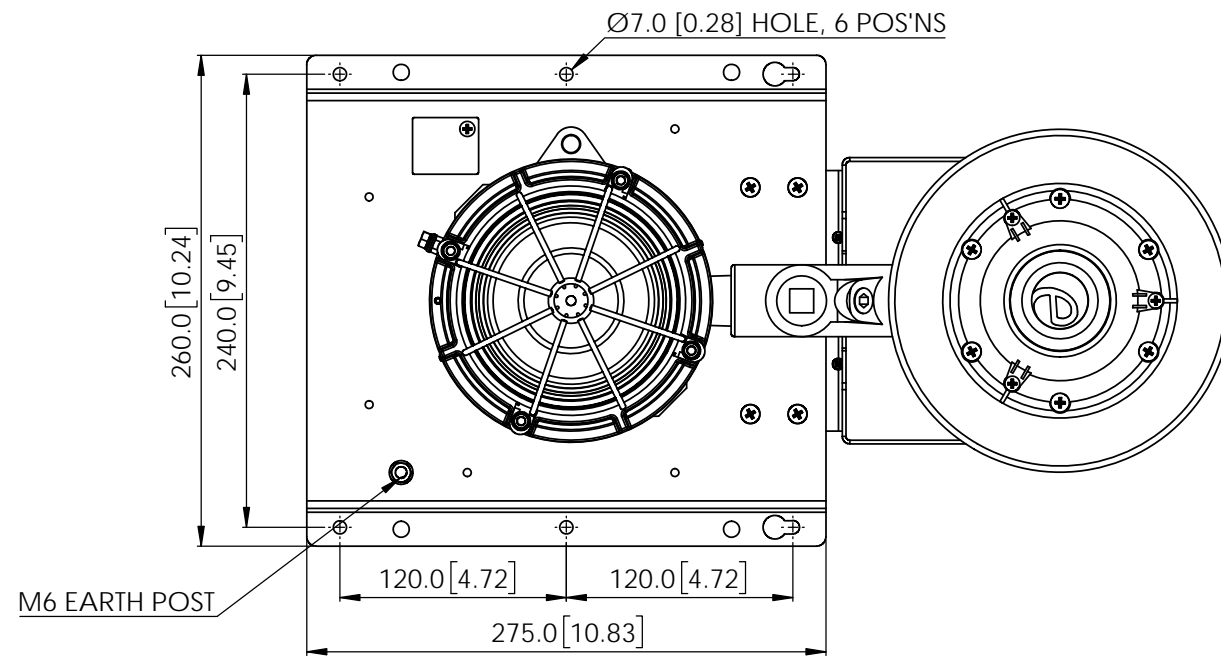
E2S PART NO
D1x[C3][N2][XX][XXX]

DESCRIPTION
D1xC3 STACK
BEACON & ALARM HORN

DATA REFERENCE
1-26-080

ISSUE	MOD No.	REASON - INITIAL - DATE
1		INTRODUCTION DAH - 09-08-19
2		ADDED S2H OPTION DAH - 03-10-22
3		LABEL NOTES ADDED MM 31-07-2023

Code Options
D1xC3 Stack Type
N2 With Junction Box (J2) / Without (N2)
[XX] Beacon Type
[XXX] Sounder Type (S1R / S1F / S2F / S2H)



NOTE:
FOR TAG PLATE SEE DRAWING D254-00-111
FOR OPTIONAL DUTY LABEL, GUARD/TAG MATERIAL OPTION [3] SEE DRAWING D254-00-041
FOR OPTIONAL DUTY LABEL, GUARD/TAG MATERIAL OPTION [4 or 5] SEE DRAWING D254-00-001

DIMENSIONS IN MM & [INCHES]

DRAWING TO BS888:2000 GEOMETRIC TOLERANCES TO ISO1101:1983 LINEAR DIMENSIONAL TOLS ANGULAR DIMENSIONAL TOLS	DRAWN	DATE	SURFACE FINISH	WEIGHT (kg)	THIS DRAWING AND ANY INFORMATION OR DESCRIPTIVE MATTER THEREIN IS COMMUNICATED IN CONFIDENCE AND IS THE COPYRIGHT PROPERTY OF EUROPEAN SAFETY SYSTEMS LTD. NEITHER THE WHOLE OR ANY EXTRACT MAY BE DISCLOSED, LOANED, COPIED OR USED FOR MANUFACTURING OR TENDERING PURPOSES WITHOUT THEIR WRITTEN CONSENT.	 EUROPEAN SAFETY SYSTEMS LTD IMPRESS HOUSE MANSELL ROAD ACTON LONDON W3 7QH WWW.E2S.COM	ALL DIMENSIONS IN MM IF IN DOUBT, ASK - DO NOT SCALE	 A1	
	CHECKED	DATE	MATERIAL						
STANDARDS PRODUCT REF	R.N.POTTS	09-08-19			EUROPEAN SAFETY SYSTEMS LTD. AS PER LATEST DATE OF ISSUE SHOWN ABOVE	TITLE D1xC3 STACK - BEACON & ALARM HORN OUTLINE DRAWING	SCALE 1:2	SHEET 1 OF 1	DRAWING NUMBER D226-05-125
	APPROVED	DATE	ALTERNATIVE MATERIAL						
	R.N.POTTS	09-08-19							