

E2S PART NO
D1x[C3][N2][XX][XX][XX][XX][XXX]

BEACON 1
BEACON 2
BEACON 3
BEACON 4

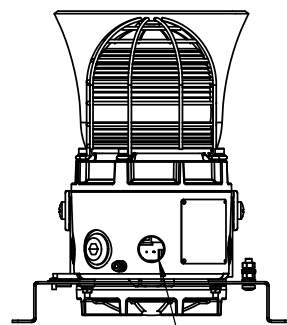
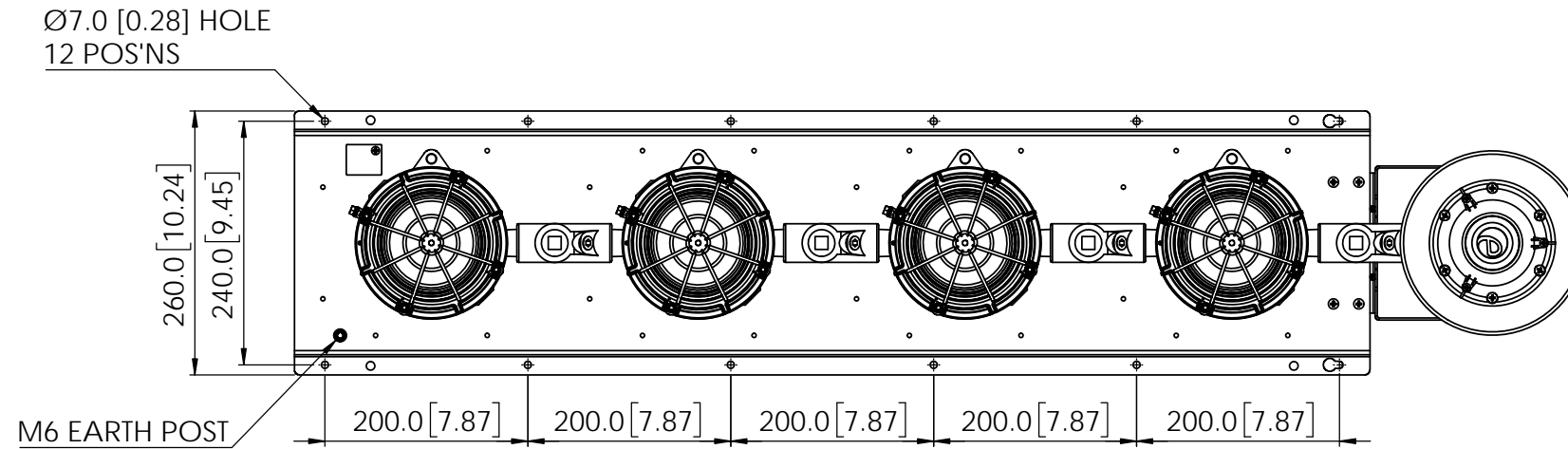
Code Options

D1xC3 Stack Type
N2 With Junction Box (J2) / Without (N2)
[XX] Beacon Type
[XXX] Sounder Type (S1R / S1F / S2F)

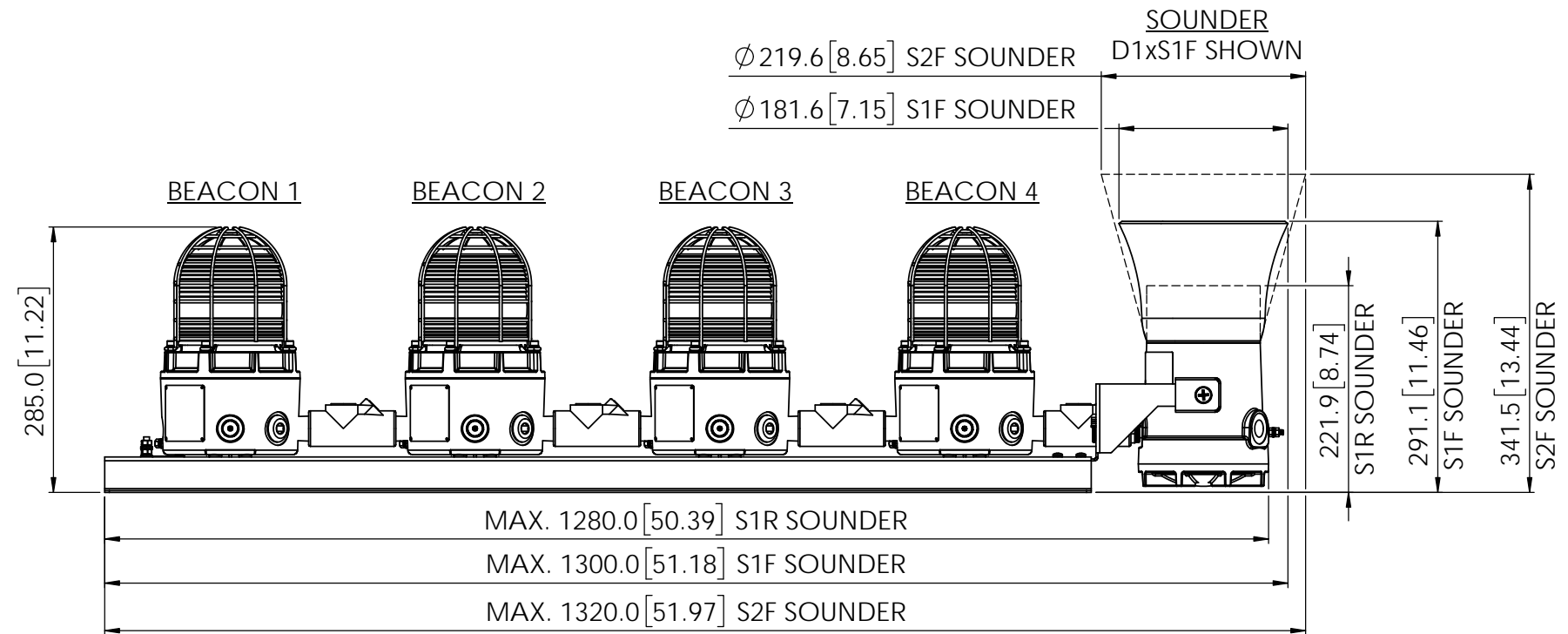
DESCRIPTION
D1xC3 STACK
4 BEACONS & ALARM HORN

DATA REFERENCE
1-26-080

ISSUE	MOD No.	REASON - INITIAL - DATE
1		INTRODUCTION DAH - 09-08-19
2		LABEL NOTES ADDED MM 31-07-2023



3/4" NPT CABLE ENTRY
OR ADAPTERS IF SELECTED



NOTE:

FOR TAG PLATE SEE DRAWING D254-00-111
FOR OPTIONAL DUTY LABEL, GUARD/TAG MATERIAL OPTION [3] SEE DRAWING D254-00-041
FOR OPTIONAL DUTY LABEL, GUARD/TAG MATERIAL OPTION [4 or 5] SEE DRAWING D254-00-001

DRAWING TO BS8888:2000 GEOMETRIC TOLERANCES TO ISO1101:1983 LINEAR DIMENSIONAL TOLS ANGULAR DIMENSIONAL TOLS	DRAWN D.HOWGILL	DATE 09-08-19	SURFACE FINISH FINISH	WEIGHT (Kg)	THIS DRAWING AND ANY INFORMATION OR DESCRIPTIVE MATTER THEREIN IS COMMUNICATED IN CONFIDENCE AND IS THE COPYRIGHT PROPERTY OF EUROPEAN SAFETY SYSTEMS LTD. NEITHER THE WHOLE OR ANY EXTRACT MAY BE DISCLOSED, LOANED, COPIED OR USED FOR MANUFACTURING OR TENDERING PURPOSES WITHOUT THEIR WRITTEN CONSENT.	 EUROPEAN SAFETY SYSTEMS LTD IMPRESS HOUSE MANSELL ROAD ACTON LONDON W3 7QH WWW.E2S.COM	ALL DIMENSIONS IN MM IF IN DOUBT, ASK - DO NOT SCALE	 A2
	CHECKED R.N.POTTS	DATE 09-08-19	MATERIAL	TITLE D2xC3 STACK - 4 BEACONS & ALARM HORN OUTLINE DRAWING				
	APPROVED R.N.POTTS	DATE 09-08-19	ALTERNATIVE MATERIAL	SCALE 1:5			SHEET 1 OF 1	