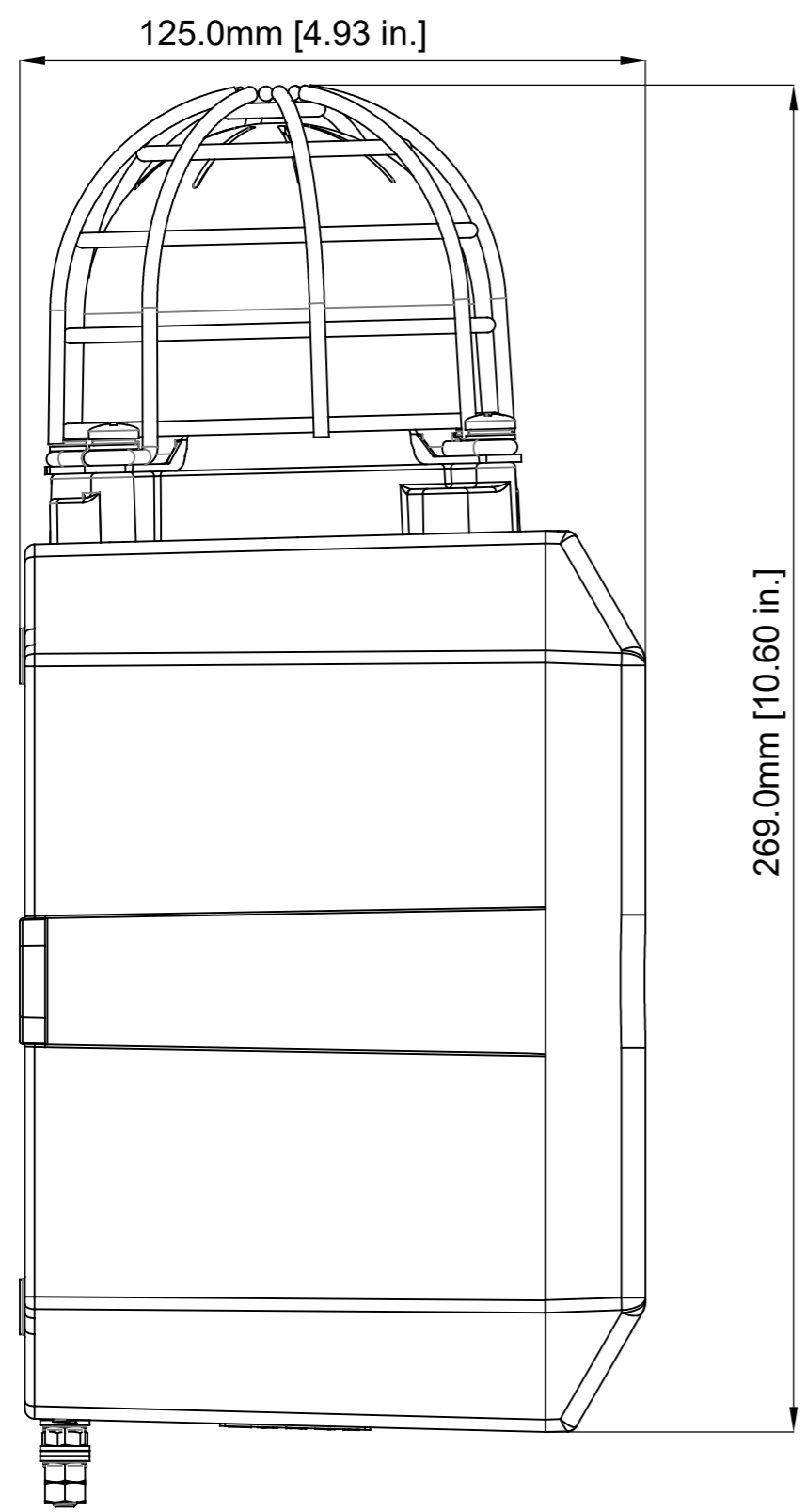
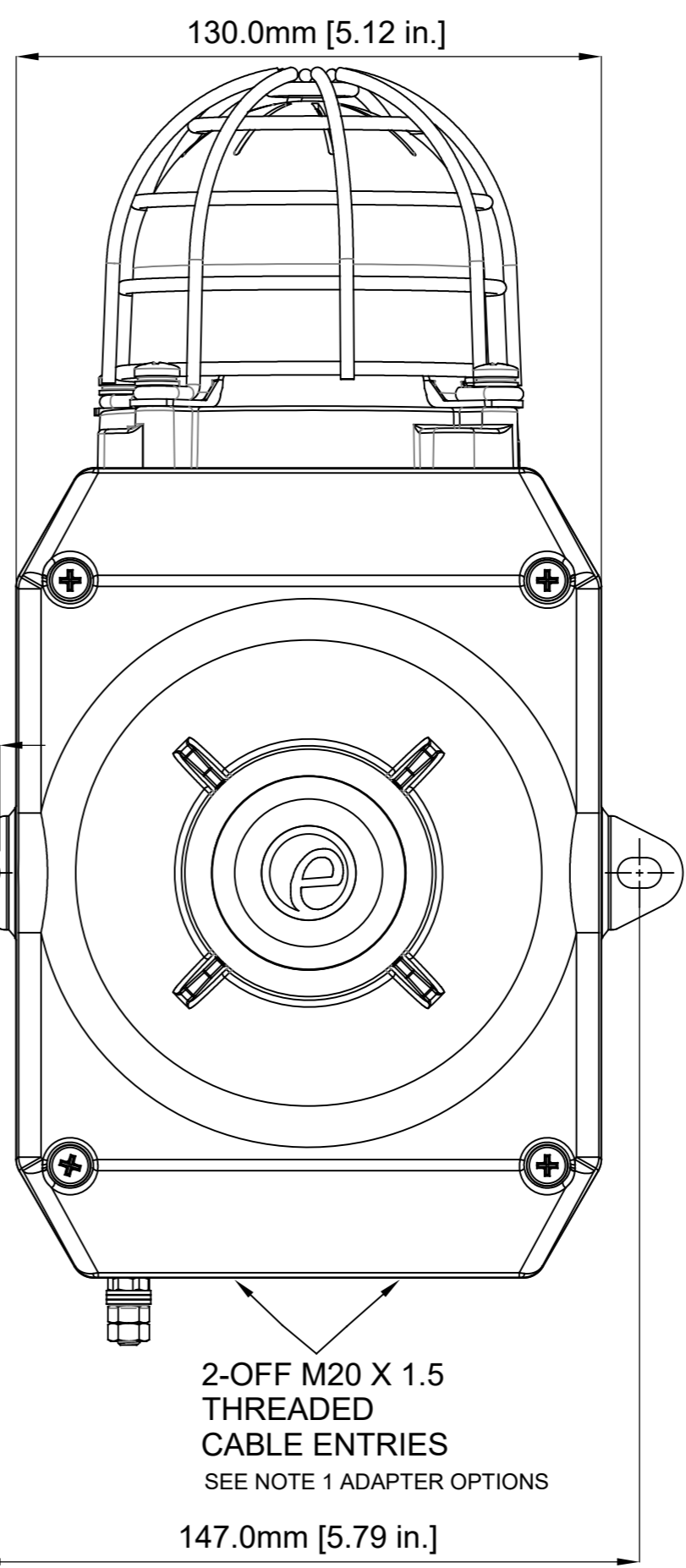


ISSUE	MOD No.	REASON - INITIAL - DATE
A		INTRODUCTION - DH - 20/05/22
B		LABEL NOTES ADDED MM 31-07-2023



9.7mm [0.38 in.]

6.7mm [0.27 in.]



2-OFF M20 X 1.5
THREADED
CABLE ENTRIES
SEE NOTE 1 ADAPTER OPTIONS

E2S PART NO.	DESCRIPTION	DATA REFERENCE
D2xC1X05...	D2xC1 Ex n COMBINED SOUNDER & 5J BEACON	1.34.020
D2xC1X10...	D2xC1 Ex n COMBINED SOUNDER & 10J BEACON	1.34.030

NOTE 1
FOLLOWING ENTRY OPTIONS
AVAILABLE VIA ADAPTERS:
2-OFF 1/2" NPT;
2-OFF 3/4"NPT;
2-OFF M25 X 1.5mm;
1-OFF 1/2" NPT;
1-OFF 3/4"NPT;
1-OFF M25 X 1.5mm.
SEE WEBSITE FOR PART CODING

NOTE:
FOR OPTIONAL DUTY LABEL SEE DRAWING D254-00-051
FOR OPTIONAL TAG PLATE SEE DRAWING D254-00-131

DRAWING TO BS8888:2000 GEOMETRIC TOLERANCES TO ISO1101:1983 LINEAR DIMENSIONAL TOLS ANGULAR DIMENSIONAL TOLS	DRAWN DATE D.HOWGILL 20/05/22	SURFACE FINISH FINISH	WEIGHT (Kg)	THIS DRAWING AND ANY INFORMATION OR DESCRIPTIVE MATTER THEREIN IS COMMUNICATED IN CONFIDENCE AND IS THE COPYRIGHT PROPERTY OF EUROPEAN SAFETY SYSTEMS LTD. NEITHER THE WHOLE OR ANY EXTRACT MAY BE DISCLOSED, LOANED, COPIED OR USED FOR MANUFACTURING OR TENDERING PURPOSES WITHOUT THEIR WRITTEN CONSENT.	 EUROPEAN SAFETY SYSTEMS LTD IMPRESS HOUSE MANSELL ROAD ACTON LONDON W3 7QH WWW.E2S.COM	ALL DIMENSIONS IN MM IF IN DOUBT, ASK - DO NOT SCALE	 A2
	CHECKED DATE R.N.POTTS 20/05/22						
	STANDARDS METAL SOUNDERS	APPROVED DATE R.N.POTTS 20/05/22	ALTERNATIVE MATERIAL				
		SCALE 1:1	SHEET 1 OF 1	DRAWING NUMBER D189-05-501			