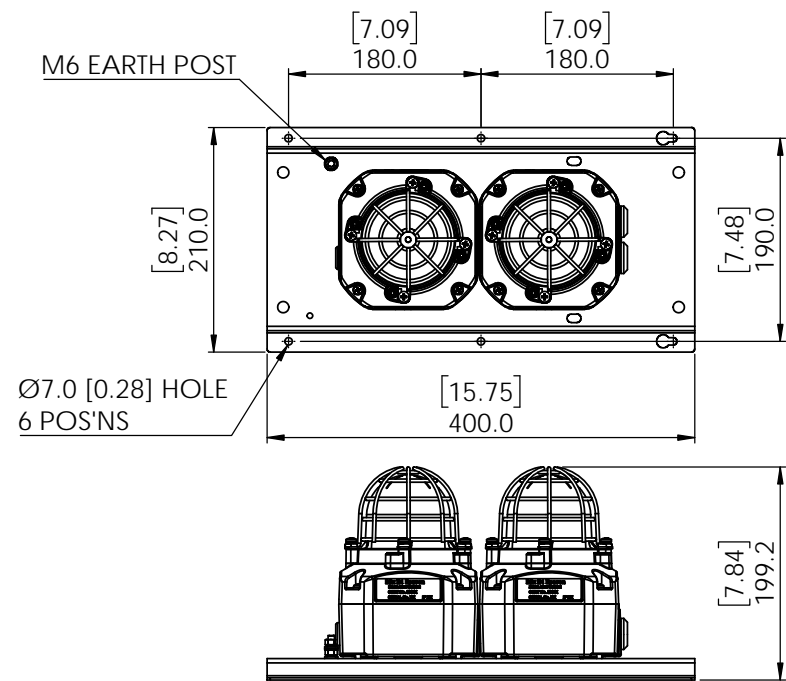


E2S PART NO
D2xP1[N1][XX][XX]

BEACON 1
BEACON 2

Code Options
D2xP1 Stack Type
N1 Without Junction Box (N1) / With Junction Box (J1)
N2 Plated without J'Box (N2) / With Plate & J'Box (J2)
[XX] Beacon Type

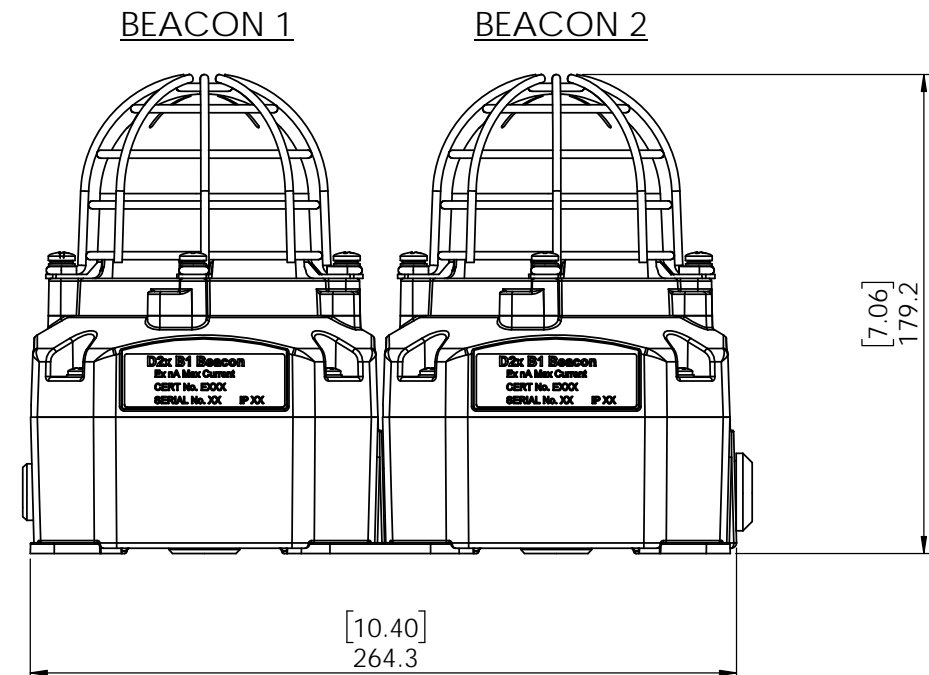
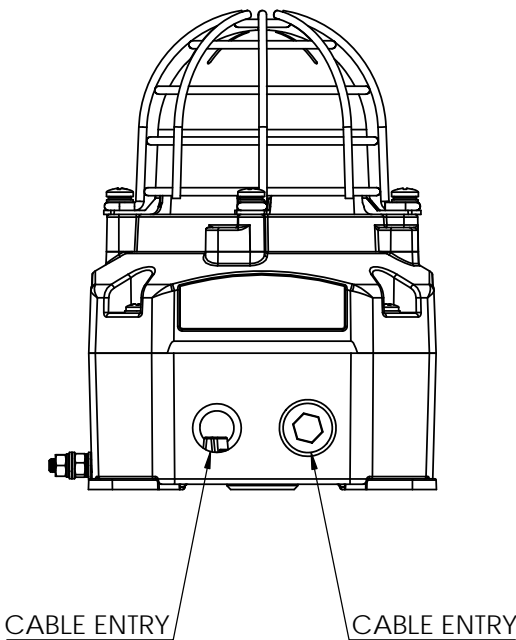
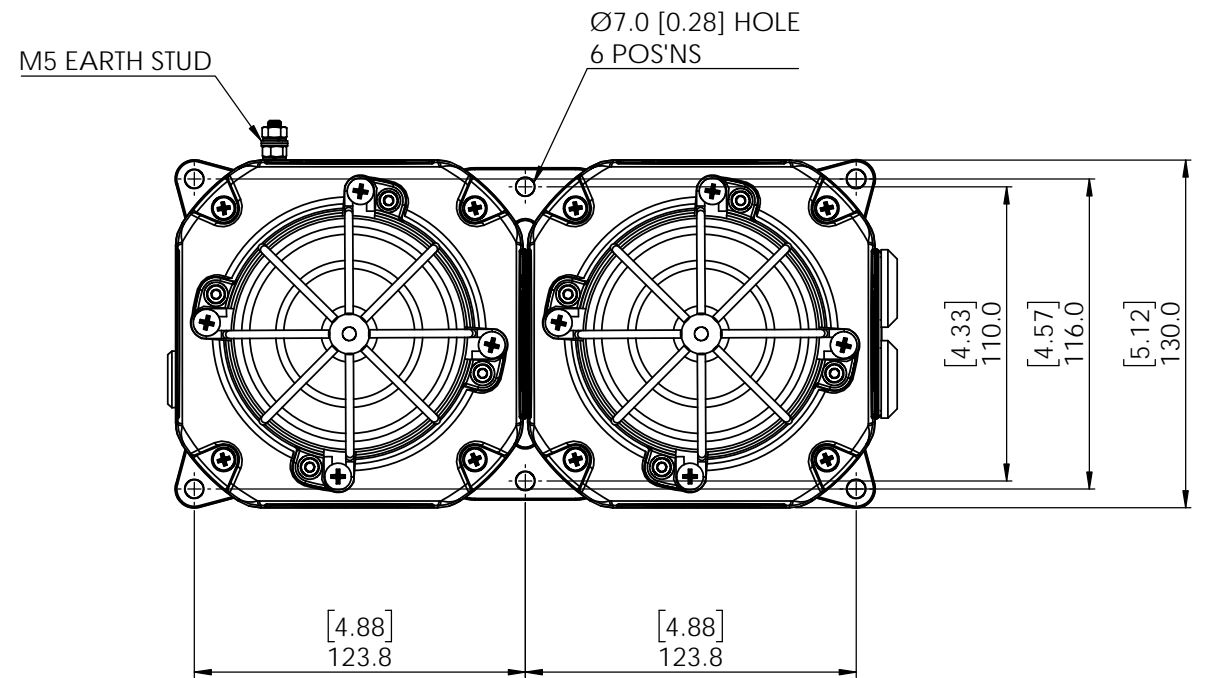
With Optional Mounting Plate
D2xP1[N2][XX][XX]



DESCRIPTION
D2xP1 STACK - 2 BEACONS

DATA REFERENCE
1-35-010

ISSUE	MOD No.	REASON - INITIAL - DATE
1		INTRODUCTION DAH - 04/04/19
2		LABEL NOTES ADDED MM 31-07-2023



NOTE:

FOR TAG PLATE SEE DRAWING D254-00-111
FOR OPTIONAL DUTY LABEL, GUARD/TAG MATERIAL OPTION [3] SEE DRAWING D254-00-031
FOR OPTIONAL DUTY LABEL, GUARD/TAG MATERIAL OPTION [5] SEE DRAWING D254-00-001

DIMENSIONS IN MM & [INCHES]

DRAWING TO BS8888:2000 GEOMETRIC TOLERANCES TO ISO1101:1983 LINEAR DIMENSIONAL TOLS ANGULAR DIMENSIONAL TOLS	DRAWN	DATE	SURFACE FINISH FINISH	WEIGHT (kg)	THIS DRAWING AND ANY INFORMATION OR DESCRIPTIVE MATTER THEREIN IS COMMUNICATED IN CONFIDENCE AND IS THE COPYRIGHT PROPERTY OF EUROPEAN SAFETY SYSTEMS LTD. NEITHER THE WHOLE OR ANY EXTRACT MAY BE DISCLOSED, LOANED, COPIED OR USED FOR MANUFACTURING OR TENDERING PURPOSES WITHOUT THEIR WRITTEN CONSENT.	 EUROPEAN SAFETY SYSTEMS LTD IMPRESS HOUSE MANSELL ROAD ACTON LONDON W3 7QH WWW.E2S.COM	ALL DIMENSIONS IN MM IF IN DOUBT, ASK - DO NOT SCALE			A2
	CHECKED	DATE					MATERIAL	TITLE D2xP1 STACK - 2 BEACONS OUTLINE DRAWING		
	STANDARDS	APPROVED	DATE	ALTERNATIVE MATERIAL				SCALE	SHEET	DRAWING NUMBER
	R.N.POTTS	04/04/19			1:2	1 OF 1	D215-05-120			