

E2S PART NO
D2xC3[N1][XX][XX][S1]

BEACON 1
BEACON 2

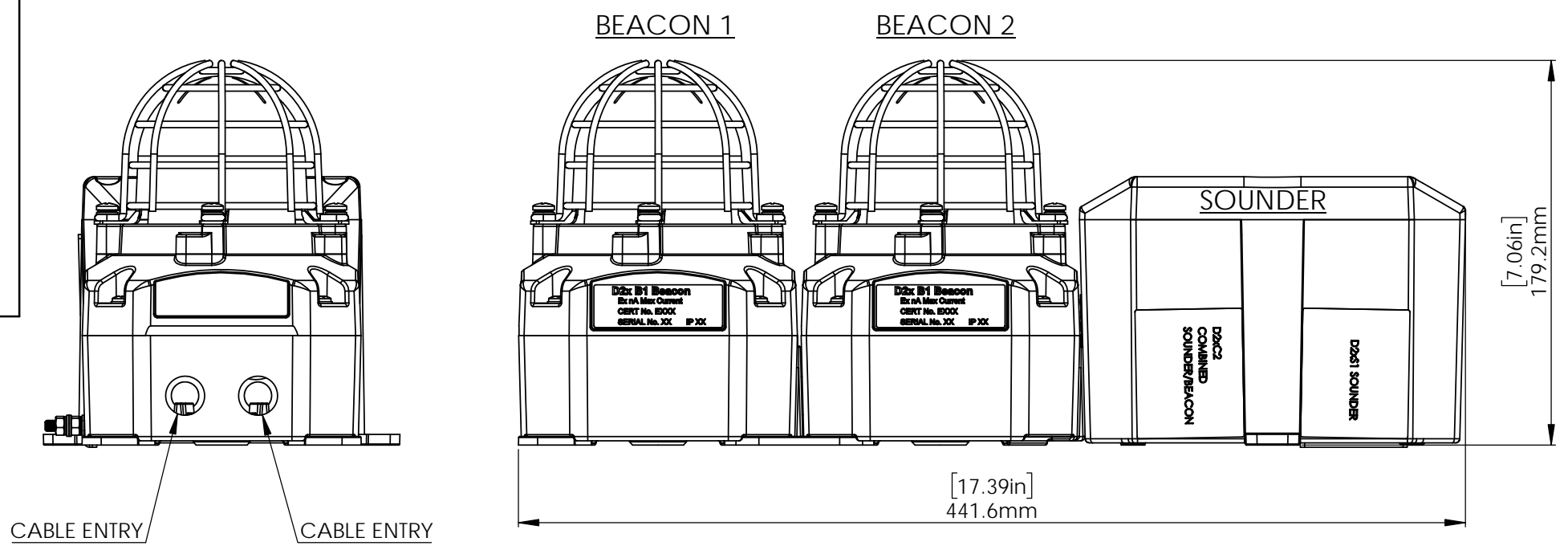
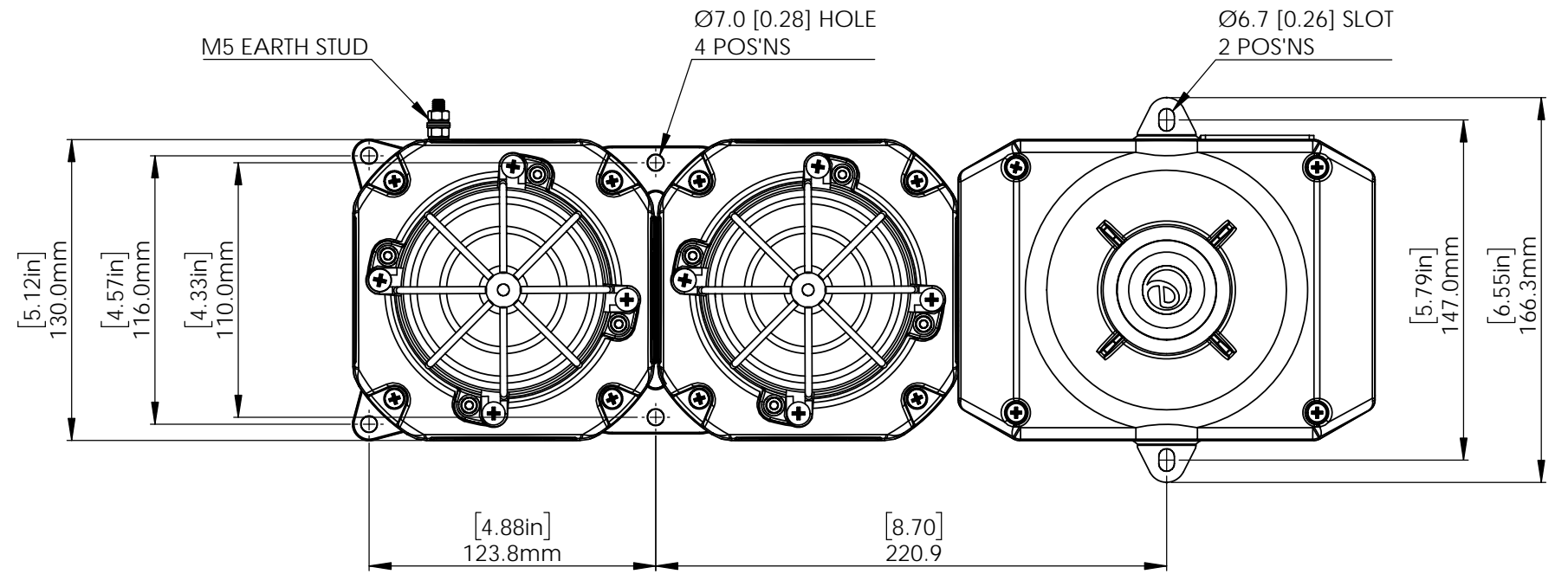
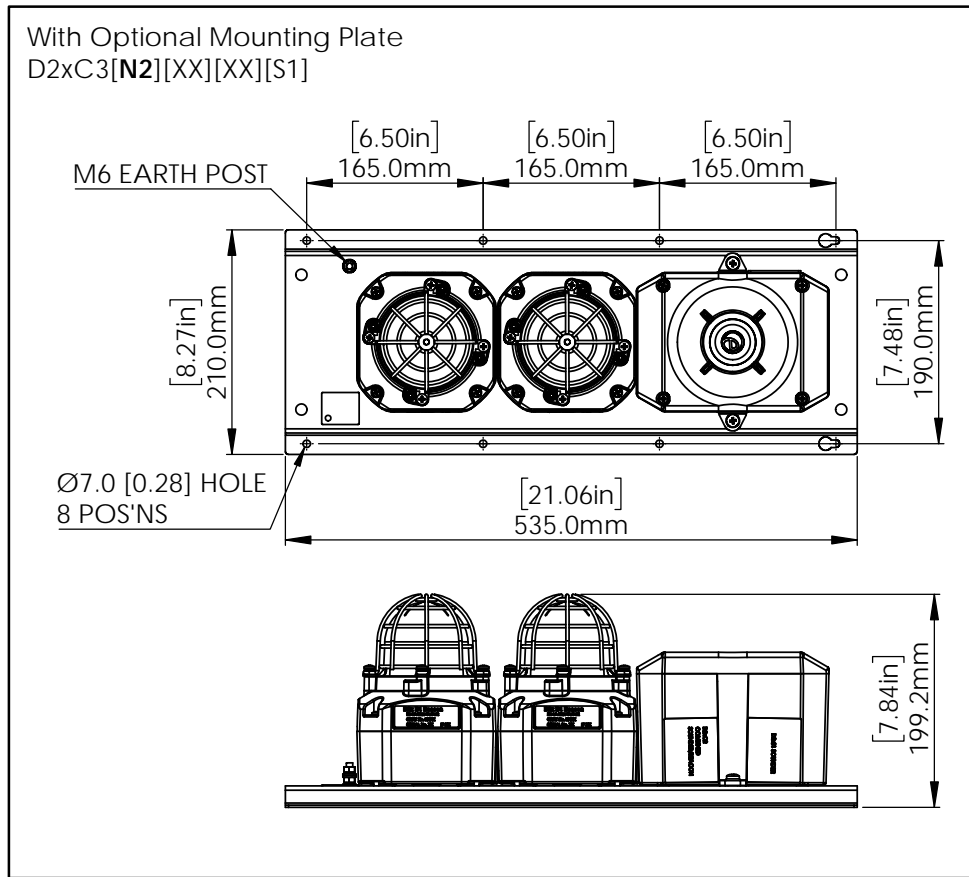
DESCRIPTION
D2xC3 STACK - 2 BEACONS & ALARM HORN

DATA REFERENCE
1-35-020

ISSUE	MOD No.	REASON - INITIAL - DATE
1		INTRODUCTION DAH - 04/04/19
2		LABEL NOTES ADDED MM 31-07-2023

Code Options

D2xC3	Stack Type
N1	Without Junction Box (N1) / With Junction Box (J1)
N2	Plated without J'Box (N2) / With Plate & J'Box (J2)
[XX]	Beacon Type
[S1]	D2xS1 Sounder



NOTE:
FOR TAG PLATE SEE DRAWING D254-00-111
FOR OPTIONAL DUTY LABEL, GUARD/TAG MATERIAL OPTION [3] SEE DRAWING D254-00-031
FOR OPTIONAL DUTY LABEL, GUARD/TAG MATERIAL OPTION [5] SEE DRAWING D254-00-001

DIMENSIONS IN MM & [INCHES]

DRAWING TO BS8888:2000 GEOMETRIC TOLERANCES TO ISO1101:1983 LINEAR DIMENSIONAL TOLS ANGULAR DIMENSIONAL TOLS	DRAWN	DATE	SURFACE FINISH FINISH	WEIGHT (Kg)	THIS DRAWING AND ANY INFORMATION OR DESCRIPTIVE MATTER THEREIN IS COMMUNICATED IN CONFIDENCE AND IS THE COPYRIGHT PROPERTY OF EUROPEAN SAFETY SYSTEMS LTD. NEITHER THE WHOLE OR ANY EXTRACT MAY BE DISCLOSED, LOANED, COPIED OR USED FOR MANUFACTURING OR TENDERING PURPOSES WITHOUT THEIR WRITTEN CONSENT.	 EUROPEAN SAFETY SYSTEMS LTD IMPRESS HOUSE MANSELL ROAD ACTON LONDON W3 7QH WWW.E2S.COM	ALL DIMENSIONS IN MM IF IN DOUBT, ASK - DO NOT SCALE			A2
	CHECKED	DATE					MATERIAL	TITLE D2xC3 STACK - 2 BEACONS & ALARM HORN OUTLINE DRAWING		
	APPROVED	DATE	ALTERNATIVE MATERIAL	SCALE				SHEET	DRAWING NUMBER	
STANDARDS	D.HOWGILL	04/04/19			© EUROPEAN SAFETY SYSTEMS LTD. AS PER LATEST DATE OF ISSUE SHOWN ABOVE		1:2	1 OF 1	D215-05-135	