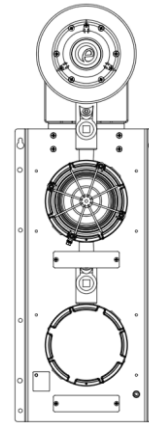
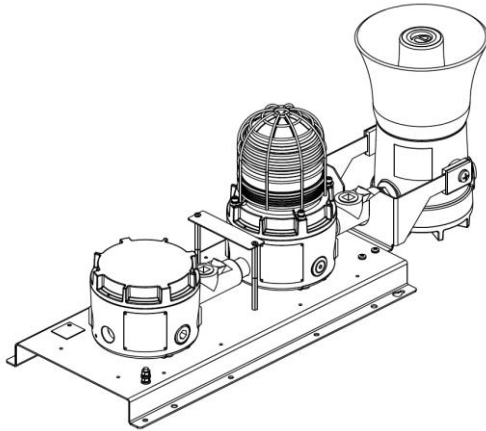


INSTRUCTION MANUAL

D1xC3 Alarm Bar

Beacon & Alarm Horn with Junction Box



1) Warnings

Please see individual product instruction manual. See Table 1 for Instruction Manual Document Number.

2) Rating & Marking Information

Please see individual product instruction manual. See Table 1 for Instruction Manual Document Number.

All individual unit ratings must be suitable for the installation.

3) Type Approval Standards

Please see individual product instruction manual. See Table 1 for Instruction Manual Document Number.

4) Installation Requirements

Please see individual product instruction manual. See Table 1 for Instruction Manual Document Number.

5) Special Conditions of Use

Please see individual product instruction manual. See Table 1 for Instruction Manual Document Number.

Component Part Code Reference	Component Description	Document Number
D1XJ2	Junction Box	D191-00-501-IS
D1XB2X05	5J Xenon Strobe Beacon	D191-00-201-IS
D1XB2X10	10J Xenon Strobe Beacon	
D1XB2X15	15J Xenon Strobe Beacon	
D1XB2X21	21J Xenon Strobe Beacon	
D1XB2LD2	LED Beacon	D191-00-401-IS
D1XS1	Alarm Horn Sounder	D190-00-001-IS
D1XS2	Alarm Horn Sounder	D190-00-101-IS

Table 1: Product Instruction Manual Reference

6) Part Coding

Part Code:	Identifier - Description
Product Type	D1xC3
Junction Box	J2 = Junction Box
Beacon Type (Add Code for each Beacon in Alarm Bar)	1Y = D1xB2X05 2Y = D1xB2X10 3Y = D1xB2X15 4Y = D1xB2X21 5Y = D1xB2LD2 Where Y = Lens Colour, choose from: A = Amber, B = Blue, C = Clear, G = Green, M = Magenta, R = Red, Y = Yellow
Sounder Type	S1F = D1xS1 Flare Sounder S1R = D1xS1 Radial Sounder S2F = D1xS2 Flare Sounder S2H = D1xS2 Large Flare Sounder
Voltage	DC024 = 24Vdc AC115 = 115-120Vac 50/60Hz AC230 = 220-230Vac 50/60Hz
Cable Entries [e]	A = 1 x M20x1.5mm + 1 x M20 (Adaptor) B = 2 x 1/2" NPT (Adaptors) C = 1 x 3/4" NPT + 1 x 3/4" NPT (Adaptor) D = 2 x M25x1.5mm (Adaptors) E = 1 x 1/2" NPT (Adaptor) + 1 x M20x1.5mm F = 1 x 1/2" NPT (Adaptor) + 1 x 3/4" NPT G = 1 x M25x1.5mm (Adaptor) + 1 x M20 M = 1 x 3/4" NPT + 1 x M20x1.5mm - Default All Junction Boxes have additional 2 x 3/4" NPT Side Entries
Stopping Plug / Adaptor Material [m]	B = Brass N = Nickel Plated S = Stainless Steel
Guard / Tag Material [s]	1 = 316 St.Steel Guard & 316 Tag 2 = As (1) with Traffic Light Cowl 3 = 316 St.Steel Guard, 316 Tag & Duty Labels 4 = As (5) with Traffic Light Cowl 5 = 316 St.Steel Guard, 316 Tag & Duty Labels attached by steel wire
Product Version [v]	A = IECEx/ATEX/UL/cUL Class I Zone 1 B = IECEx/ATEX C = UL/cUL Class Div 1 S = SIL2/IECEx/ATEX/UL/cUL Class I Zone 1 T = Relay/ Telephone Initiation IECEx/ATEX
Product Option [o]	1 = Standard Wiring (Positive Switching) 2 = Independent Wiring (Positive Switching) 3 = Alt. Standard Wiring (Negative Switching) 4 = Independent Wiring (Negative Switching) 7 = Beacon & Sounder Linked W = Special Wiring X = Special Configuration
Assembly Colour [x]	R = Red, G = Grey Other colours also possible, contact E2S sales

7) Location and Mounting

The location of the Alarm Bar should be made with due regard to the area over which the warning signal must be visible/audible. They should only be fixed to surfaces that can carry the weight of the unit.

The D1xC3 Alarm Bar should be secured to any flat surface using eight Ø7mm fixing holes in the mounting plate. See figure 1.

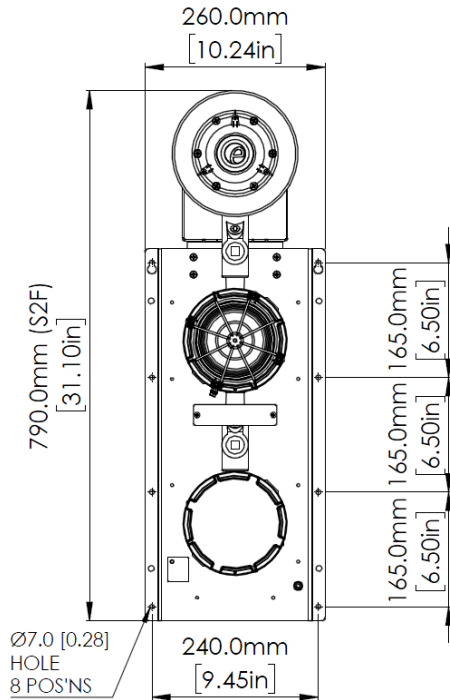


Fig.1: Mounting Detail and Dimensions for D1x Alarm Bar

Alternatively, the unit can be pole mounted. For pole mounting detailed instructions, see drawing D226-00-010

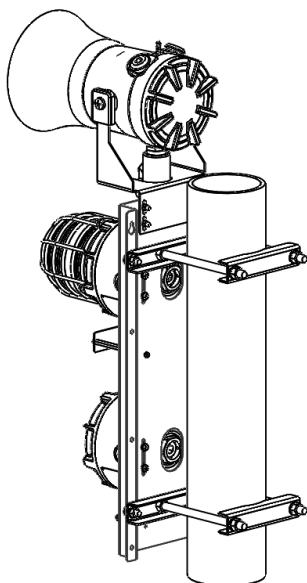


Fig. 2: Pole Mounted Alarm Bar Max. Pole size NPS 4" (OD: Ø114.3mm / 4.5in)

8) Access to the Enclosure



Warning – Hot surfaces. External surfaces and internal components may be hot after operation, take care when handling the equipment.

In order to connect the electrical supply cables to the beacon, it is necessary to open the explosion proof enclosure. Loosen the locking grub screw in the cover and then remove the glass dome cover assembly to gain access to the chamber. This can be achieved by unscrewing the glass dome cover, taking extreme care not to damage the threads when doing so.

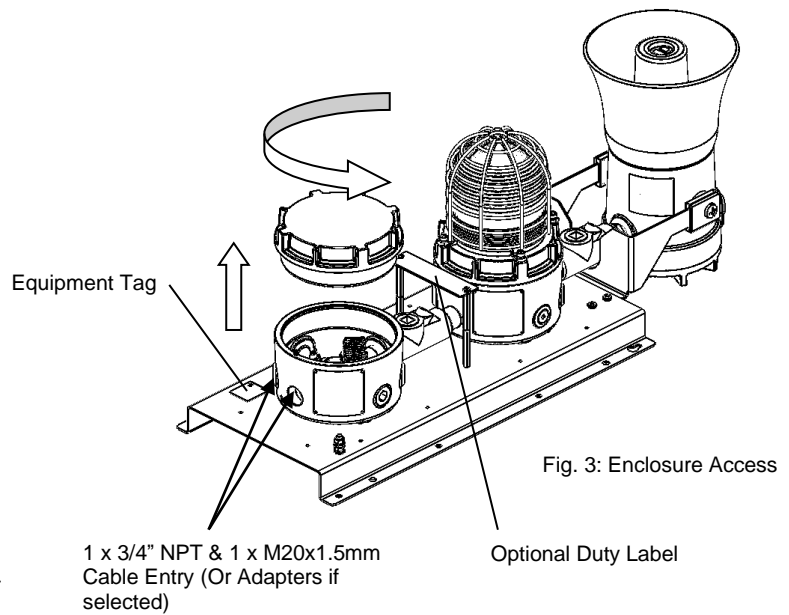


Fig. 3: Enclosure Access

9) Power Supply Selection

For Voltage ranges of complete units, take the highest Minimum value and lowest Maximum value in the ranges of the component units. For Current and Max Current ratings of complete units, add the ratings from the component units.

E.g. D1xC3 J2 2A S1F AC115...:

Unit Type	D1xB2X10	D1xS1	D1xC3 Total
Voltage Range	110-120Vac 50/60Hz	110 - 240Vac 50/60Hz	110-120Vac 50/60Hz
Current	220mA	77mA	297mA
Max Current	300mA	82mA	382mA

Please see individual product instruction manual for Voltage Range, Current and Max Current values.

10) Selection of Cable, Cable Glands, Blanking Elements & Adapters

Please see individual product instruction manual.

NOTE: Stopping plugs cannot be fitted into adaptors.

11) Earthing

The Alarm Bar is provided with an M6 earth screw on the mounting plate. Earthing connections should be made to the M6 earth screw, using a ring crimp terminal to secure the earth conductor.

Please see individual product instruction manual for details of earthing each beacon

12) Cable Connections

Electrical connections are to be made into the DIN terminals in the junction box. See section 8 of this manual for access to the enclosure. See also individual manuals for detail on wiring into PCBA terminals.

Wires having a cross sectional area between 0.5 mm² to 2.5mm² can be connected to each terminal way. Strip wires to 8mm. Wires may also be fitted using ferrules. Terminal screws need to be tightened down with a tightening torque of 0.45 Nm / 5 Lb-in. When connecting wires to the terminals great care should be taken to dress the wires so that when the cover is inserted into the chamber the wires do not exert excess pressure on the terminal blocks. This is particularly important when using cables with large cross-sectional areas such as 2.5mm².

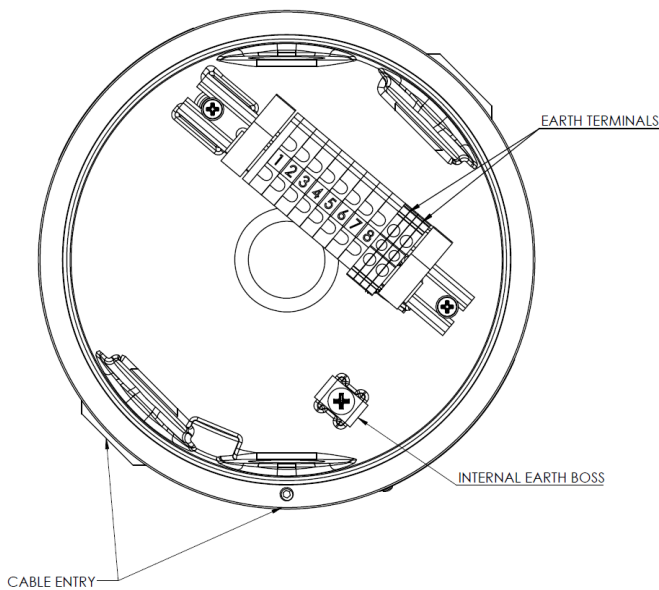


Fig. 4: Junction Box Internal Detail and DIN Terminals

13) Wiring

For wiring diagrams, see schematic document D226-06-128. See table 3 at the end of this manual for list of standard configurations.

Note:

For units with product codes where Product Option = X or W, please see special wiring schematic supplied with the unit documentation.

14) Interchangeable & Spare Parts

The Beacon lens cover is interchangeable, contact E2S Ltd for a replacement lens cover available in various colours.

To change the lens cover, unscrew the 4-off M5 socket head screws, spring and flat washers using a 4mm Hex key. Remove the wire guard and replace the old lens cover with the new lens cover.

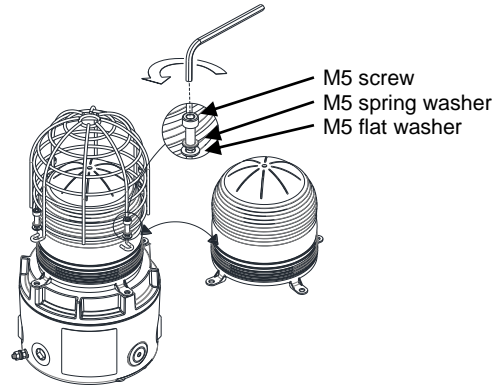
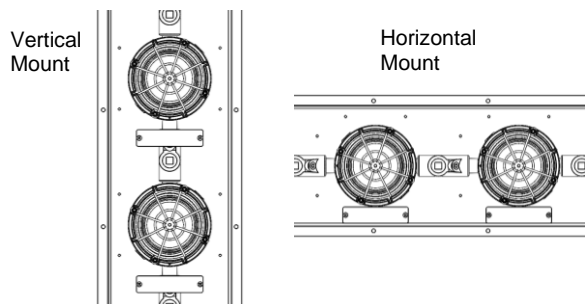


Fig. 5: Replacement of beacon lens cover

Fit the wire guard back onto the housing, over the new lens cover aligning the fixing holes of the guard, lens cover and housing. Refit the fixings to hold into place, the fixings MUST be fitted in the order shown above.

Optional Duty Labels can be placed to suit either the vertical mounting position (default) or a horizontal mounting position. See figure 6 for configuration details.



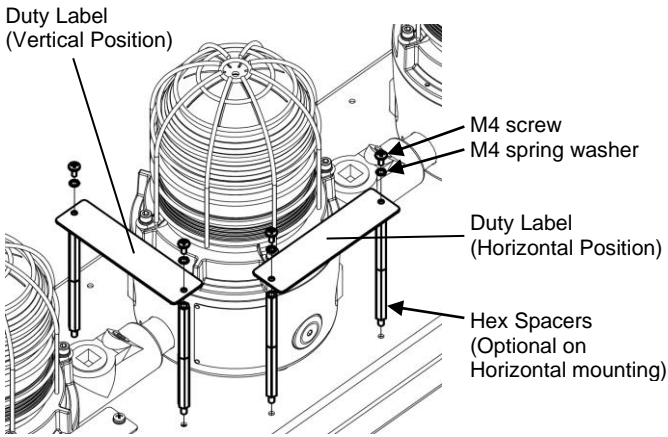


Fig. 6: Duty label assembly and configurations

To move the duty labels, use a spanner or equivalent tool to carefully remove the hex nuts and spring washers from the positions shown on the rear of the plate. Care should be taken not to drop them, especially if working from height.

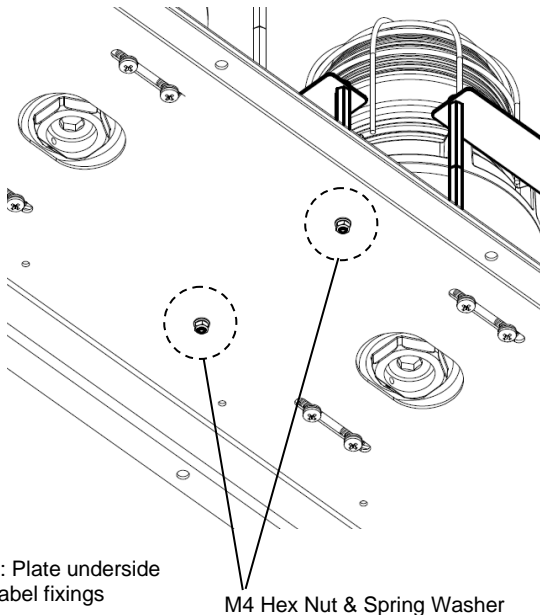


Fig. 7: Plate underside duty label fixings

M4 Hex Nut & Spring Washer

For horizontal mounting, the hex spacers are optional.

If using the hex spacers:

Position the duty label assembly in the desired position (fig. 6). Place spring washers over the spacer threads on the underside of the plate and tighten M4 hex nuts fully.

If not using hex spacers:

Carefully remove the duty labels from spacers using a posi-drive screwdriver to loosen the M4 screws. Place duty label flush to plate with screws inserted into holes (fig. 6). Place spring washers over the spacer threads on the underside of the plate (fig. 7) and tighten M4 hex nuts fully.

Beacons can be configured with a traffic light cowl to enhance visibility. Figure 8 shows the optional Traffic Light Cowl pre-assembled to the Beacon by E2S.

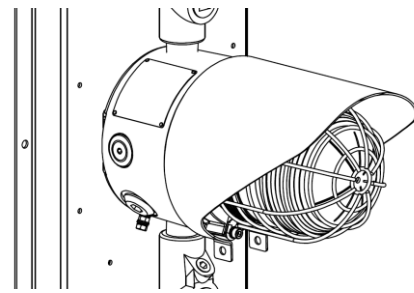


Fig. 8: Traffic Light Cowl

To disassemble the cowl, loosen the M6 Nut using a spanner or wrench and carefully remove from the beacon lid casting.

To re-assemble, manoeuvre the cowl back into position and tighten the M6 Screw and Nut until the cowl is fixed securely.

15) Maintenance, Overhaul and Repair

Please see individual product instruction manual. See Table 1 for Instruction Manual Document Number.

16) SIL Approvals

16.1 Standard Configurations

Beacons and Sounders have been assessed for Reliability and Functional safety under IEC/EN61508 and are considered suitable for use in low demand safety functions:

1. Random Hardware Failures and Architectural constraints (route 2_H).
2. As an unvoted item (i.e. hardware fault tolerance of 0) at SIL 2.

Please see individual product instruction manual in Table 1 for information on reliability data.

16.2 SIL Module Configuration

For plated stacks with Product Version S, the units are configured with SIL 2 relay modules and have been assessed under route 1_H. For further information on reliability data and operation, please see the individual SIL documents referenced in table 2.

Component Part Reference	Component Code	Component Description	SIL Document Number
D1XB2X05		5J Xenon Strobe Beacon	D191-00-621-IS
D1XB2X10		10J Xenon Strobe Beacon	
D1XB2X15		15J Xenon Strobe Beacon	
D1XS1		Alarm Horn Sounder	D190-00-651-IS
D1XS2		Alarm Horn Sounder	D190-00-671-IS

Table 2: SIL Product Instruction Manual Reference

17) Telephone/ Relay Module Configuration

For plated stacks with Product Version T, the beacon and sounder can be powered simultaneously using the relay board. This can be configured to be either relay operated (DC) or initiated by a telephone signal.

See Document D226-00-728-IS for full details.

DC DIAGRAMS				
Config.	Voltage	Configuration Description	Features	Product Option [o]
1	DC	Standard wiring Positive switching (Default)	<ul style="list-style-type: none"> Common negative connection to all signals Positive stage switching on alarm horn sounder 	1
2	DC	Independent wiring Positive switching	<ul style="list-style-type: none"> Independent wiring to all signals Positive stage switching on alarm horn sounder 	2
3	DC	Alt. Standard wiring Negative switching	<ul style="list-style-type: none"> Common negative connection to all signals Negative stage switching on alarm horn sounder 	3
4	DC	Independent wiring Negative switching	<ul style="list-style-type: none"> Independent wiring to all signals Negative stage switching on alarm horn sounder 	4
5	DC	Beacon and sounder stage 1 linked with line monitoring	<ul style="list-style-type: none"> Beacon 1 linked to sounder stage 1 Positive stage switching on alarm horn sounder 	5
6	DC	Independent wiring for all signals with line monitoring	<ul style="list-style-type: none"> Independent wiring to all signals Independent wiring to alarm horn sounder stage 1 Positive stage switching on alarm horn sounder 	6
7	DC	Beacon and sounder stages linked	<ul style="list-style-type: none"> Beacon 1 linked to sounder stage 1 Common negative connection to all signals 	7
See D226-06-628	DC	SIL2 Monitoring Module	<ul style="list-style-type: none"> SIL2 monitoring module 4-wire system wiring Positive stage switching on alarm horn sounder 	Version [v] = S
See D226-06-728	DC	Relay/Telephone Initiation	<ul style="list-style-type: none"> Relay Initiation or Telephone Initiation 	Version [v] = T
AC DIAGRAMS				
Config.	Voltage	Configuration Description	Features	Product Option [o]
1	AC	Standard wiring (Default)	<ul style="list-style-type: none"> Common neutral connection to all signals 	1
2	AC	Independent wiring	<ul style="list-style-type: none"> Independent wiring to all signals 	2
Table 3 – Summary of Wiring Options				
NOTE: Please see schematic document D226-06-128 for line monitoring details.				

DC CONFIGURATIONS

E2S PART NO
D1x[C3][J2][XX][XXX]

DESCRIPTION
D1xC3 STACK - BEACON & ALARM HORN
WITH JUNCTION BOX

DATA REFERENCE
1-26-080

Note: Alternative wiring configurations may be available on request - contact E2S sales

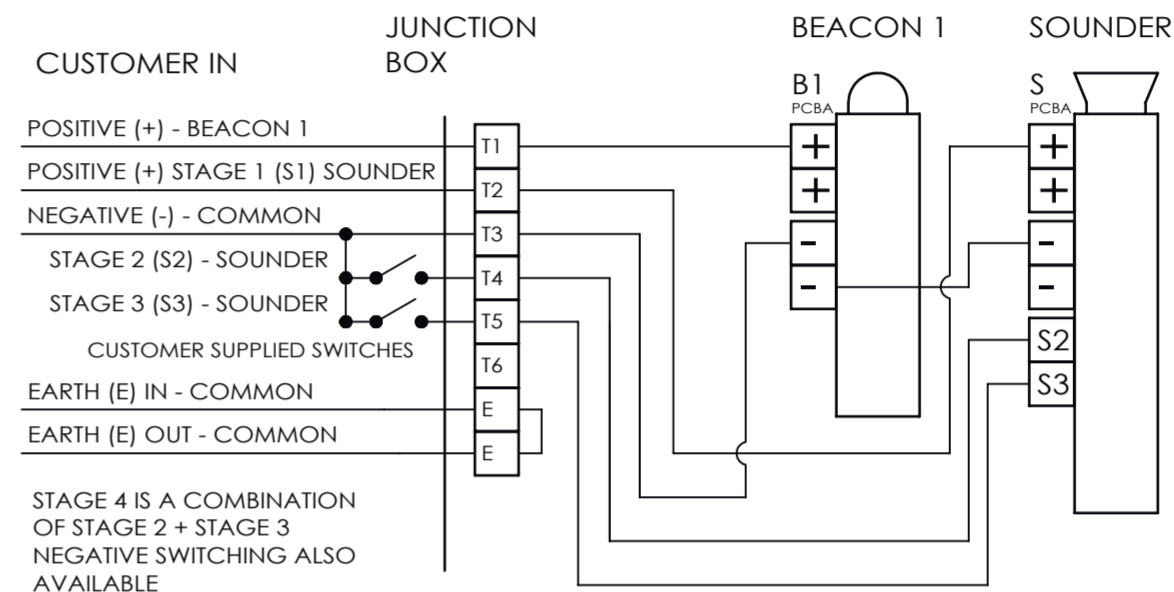
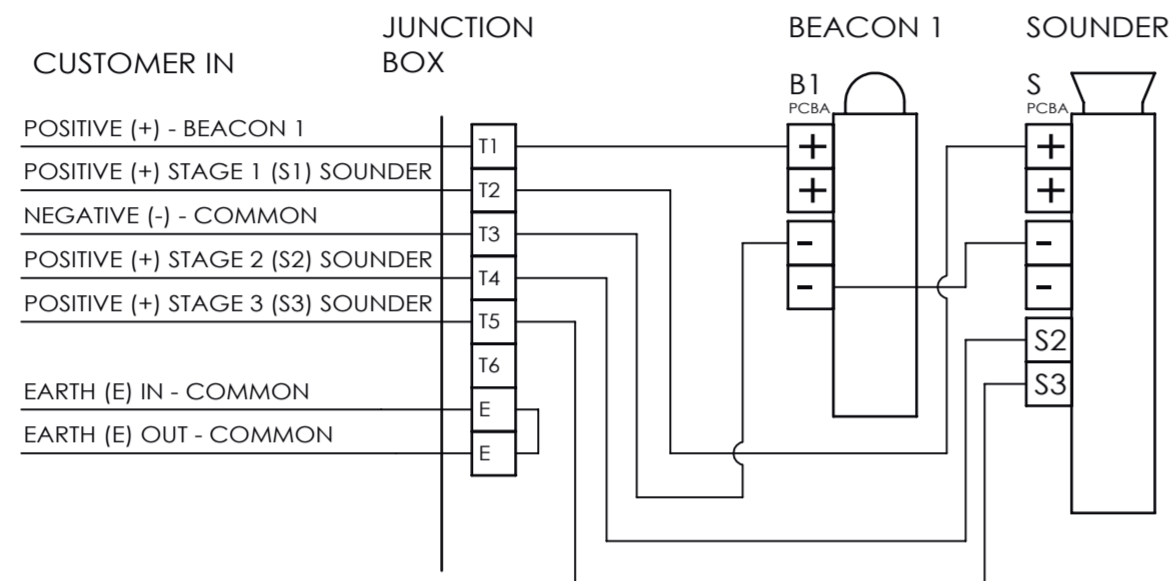
ISSUE	MOD No.	REASON - INITIAL - DATE
3		DC WAS -VE STAGE SWITCHING NOW +VE. SOUNDER TNALS UPDATED TO NEW PCBA. DAH - 22-09-2021
4		CONFIG 1-4 ADDED. SH2 ADDED DAH - 20-04-2023
5		CONFIG 5, 6, 7 ADDED. SH3 ADDED MA - 11-08-2023

CONFIG. 1 (DEFAULT)

- DC VOLTAGE SUPPLY
- COMMON NEGATIVE CONNECTION TO ALL SIGNALS
- POSITIVE STAGE SWITCHING FOR ALARM HORN SOUNDER

CONFIG. 3

- DC VOLTAGE SUPPLY
- COMMON NEGATIVE CONNECTION TO ALL SIGNALS
- NEGATIVE STAGE SWITCHING FOR ALARM HORN SOUNDER

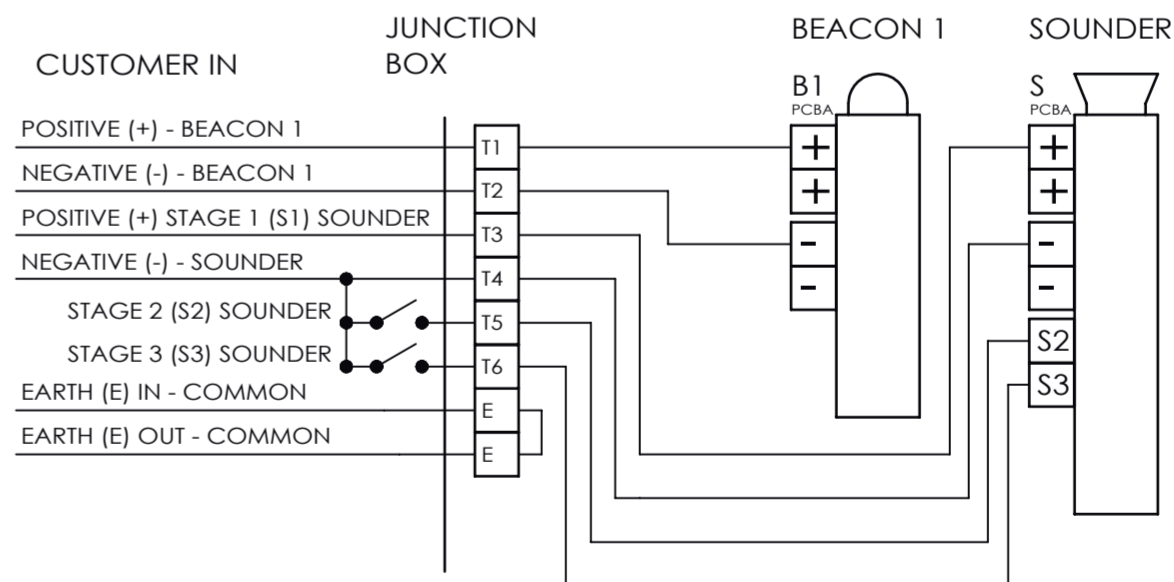
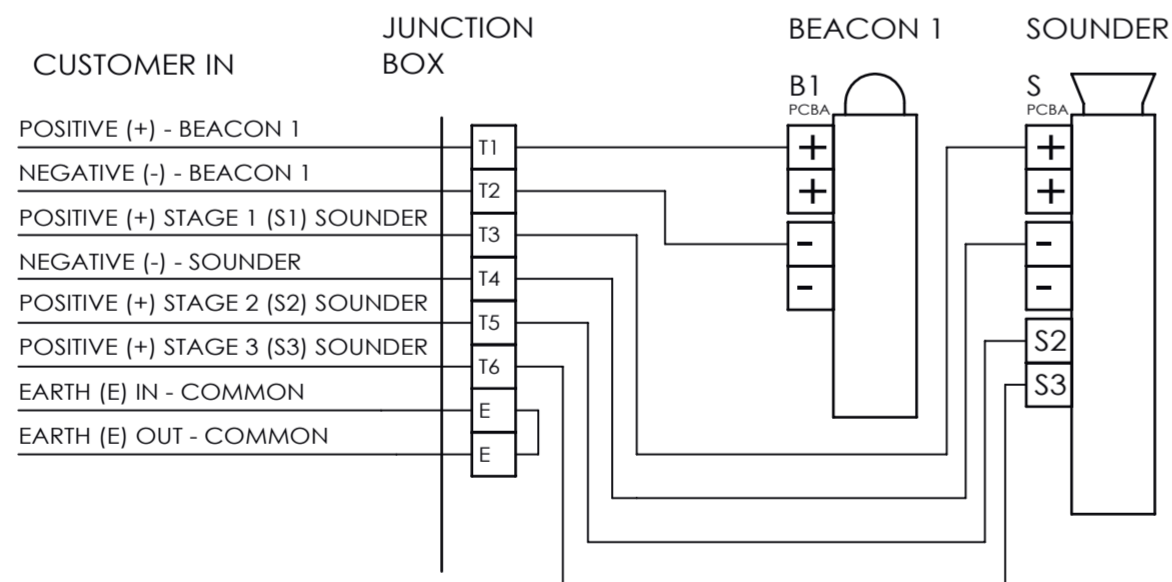


CONFIG. 2

- DC VOLTAGE SUPPLY
- INDEPENDENT CONNECTIONS TO ALL SIGNALS
- POSITIVE STAGE SWITCHING FOR ALARM HORN SOUNDER

CONFIG. 4

- DC VOLTAGE SUPPLY
- INDEPENDENT CONNECTIONS TO ALL SIGNALS
- NEGATIVE STAGE SWITCHING FOR ALARM HORN SOUNDER



DRAWING TO BS8888:2000
GEOMETRIC TOLERANCES TO ISO1101:1983
LINEAR DIMENSIONAL TOLS
ANGULAR DIMENSIONAL TOLS

DRAWN DATE
D.HOWGILL 15-08-2019

CHECKED DATE
R.N.POTTS 15-08-2019

APPROVED DATE
R.N.POTTS 15-08-2019

SURFACE FINISH FINISH WEIGHT (kg)

MATERIAL

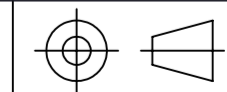
ALTERNATIVE MATERIAL

THIS DRAWING AND ANY INFORMATION OR DESCRIPTIVE MATTER THEREIN IS COMMUNICATED IN CONFIDENCE AND IS THE COPYRIGHT PROPERTY OF EUROPEAN SAFETY SYSTEMS LTD. NEITHER THE WHOLE OR ANY EXTRACT MAY BE DISCLOSED, LOANED, COPIED OR USED FOR MANUFACTURING OR TENDERING PURPOSES WITHOUT THEIR WRITTEN CONSENT.

EUROPEAN SAFETY SYSTEMS LTD.
AS PER LATEST DATE OF ISSUE SHOWN ABOVE



ALL DIMENSIONS IN MM
IF IN DOUBT, ASK -
DO NOT SCALE



A2

TITLE D1xC3 STACK - BEACON & ALARM HORN
WITH JUNCTION BOX WIRING SCHEMATIC

SCALE
NTS

SHEET
1 OF 3

DRAWING NUMBER
D226-06-128

DC CONFIGURATIONS

ISSUE	MOD No.	REASON - INITIAL - DATE
3		SEE SH1
4		SEE SH1
5		SEE SH1

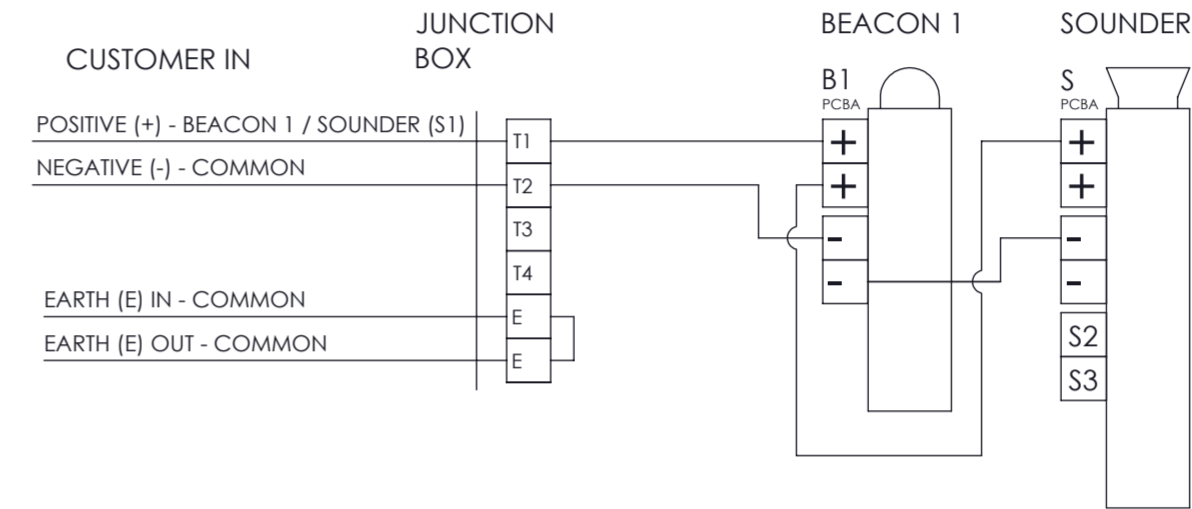
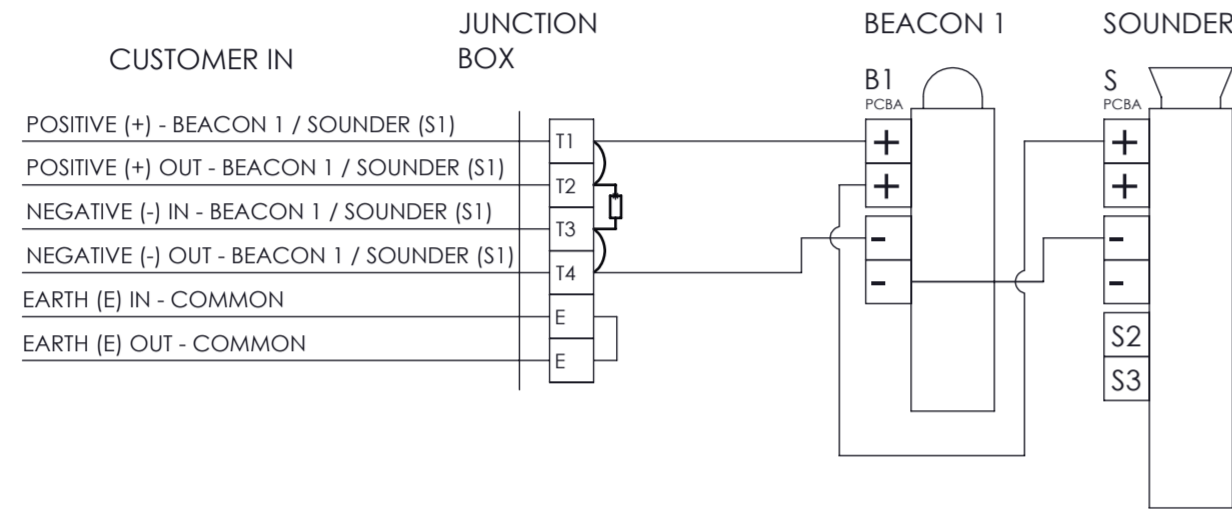
CONFIG. 5

DC VOLTAGE SUPPLY
 BEACON / STAGE 1 LINKED
 INDEPENDENT STAGE WIRING FOR ALARM HORN SOUNDER WITH END OF LINE MONITORING

CONFIG. 7

DC VOLTAGE SUPPLY
 COMMON NEGATIVE CONNECTION TO ALL SIGNALS
 BEACON 1 AND SOUNDER STAGE 1 LINKED

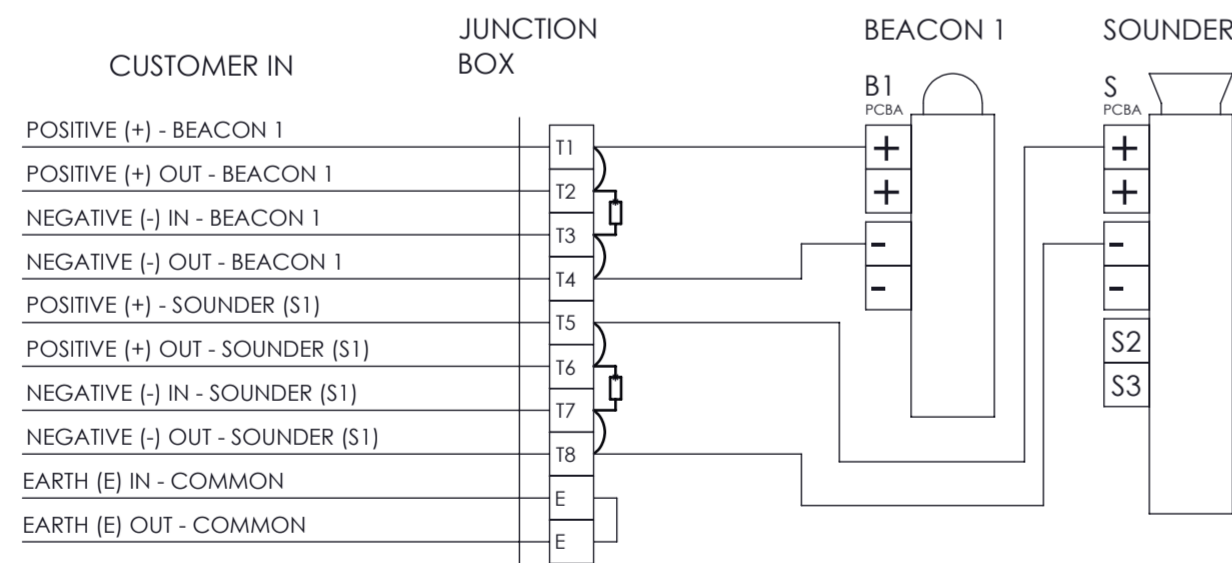
ALL EOL RESISTORS ARE TO BE INSTALLED IN THE PCBA TERMINALS OF THE UNIT/S BEING MONITORED.
 EOL RESISTOR POSITION/S SHOWN FOR DIAGRAMMATIC REFERENCE ONLY.



CONFIG. 6

DC VOLTAGE SUPPLY
 INDEPENDENT CONNECTIONS TO ALL SIGNALS
 INDEPENDENT STAGE WIRING FOR ALARM HORN SOUNDER WITH END OF LINE MONITORING

ALL EOL RESISTORS ARE TO BE INSTALLED IN THE PCBA TERMINALS OF THE UNIT/S BEING MONITORED.
 EOL RESISTOR POSITION/S SHOWN FOR DIAGRAMMATIC REFERENCE ONLY.



DRAWING TO BS8888:2000
 GEOMETRIC TOLERANCES TO ISO1101:1983
 LINEAR DIMENSIONAL TOLS
 ANGULAR DIMENSIONAL TOLS

DRAWN	DATE
D.HOWGILL	15-08-2019
CHECKED	DATE
R.N.POTTS	15-08-2019
APPROVED	DATE
R.N.POTTS	15-08-2019

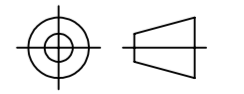
SURFACE FINISH	WEIGHT (kg)
FINISH	
MATERIAL	
ALTERNATIVE MATERIAL	

THIS DRAWING AND ANY INFORMATION OR DESCRIPTIVE MATTER THEREIN IS COMMUNICATED IN CONFIDENCE AND IS THE COPYRIGHT PROPERTY OF EUROPEAN SAFETY SYSTEMS LTD. NEITHER THE WHOLE OR ANY EXTRACT MAY BE DISCLOSED, LOANED, COPIED OR USED FOR MANUFACTURING OR TENDERING PURPOSES WITHOUT THEIR WRITTEN CONSENT.

EUROPEAN SAFETY SYSTEMS LTD.
 AS PER LATEST DATE OF ISSUE SHOWN ABOVE

e2s
 warning signals
 EUROPEAN SAFETY SYSTEMS LTD
 IMPRESS HOUSE
 MANSELL ROAD
 ACTON
 LONDON W3 7QH
 WWW.E2S.COM

ALL DIMENSIONS IN MM
 IF IN DOUBT, ASK -
 DO NOT SCALE



A2

TITLE D1xC3 STACK - BEACON & ALARM HORN WITH JUNCTION BOX WIRING SCHEMATIC

SCALE	SHEET	DRAWING NUMBER
NTS	2 OF 3	D226-06-128

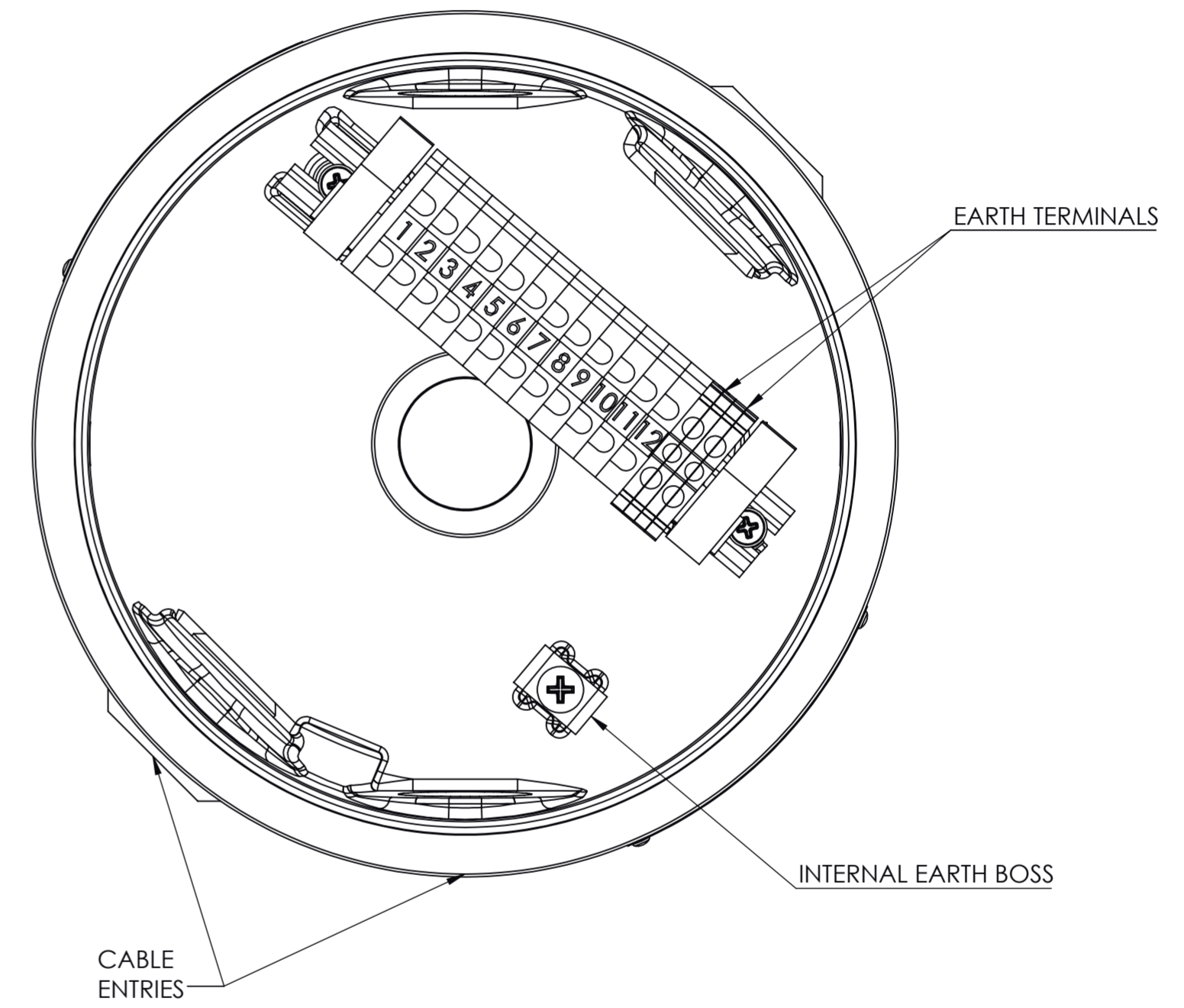
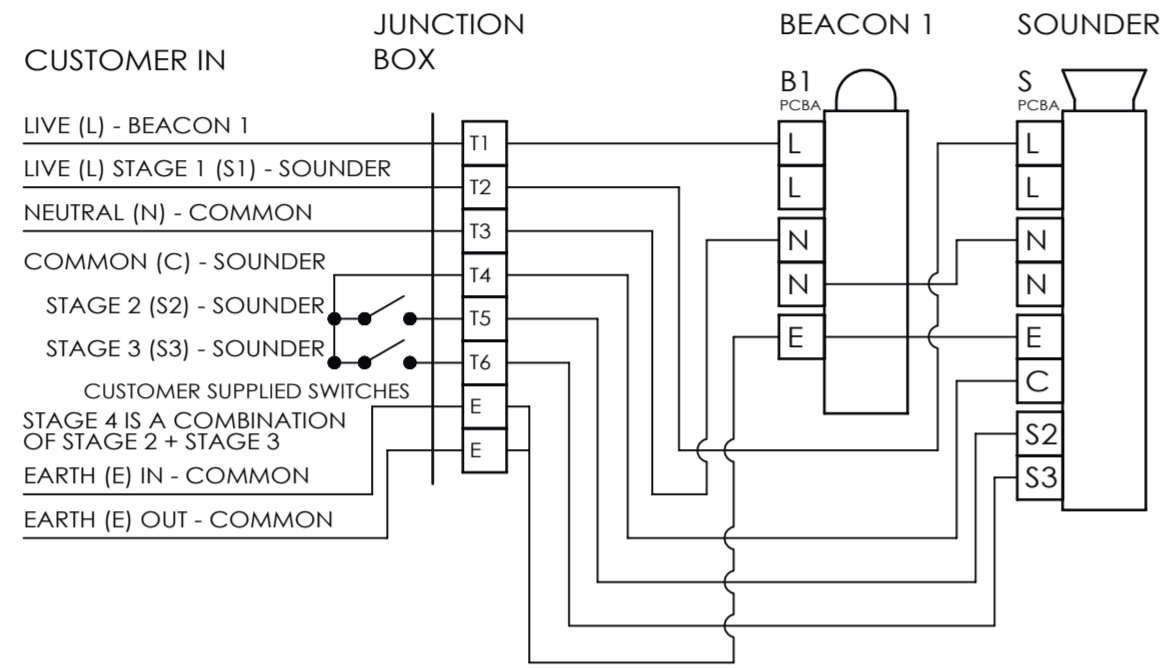
AC CONFIGURATIONS

ISSUE	MOD No.	REASON - INITIAL - DATE
3		SEE SH1
4		SEE SH1
5		SEE SH1

CONFIG. 1 (DEFAULT)

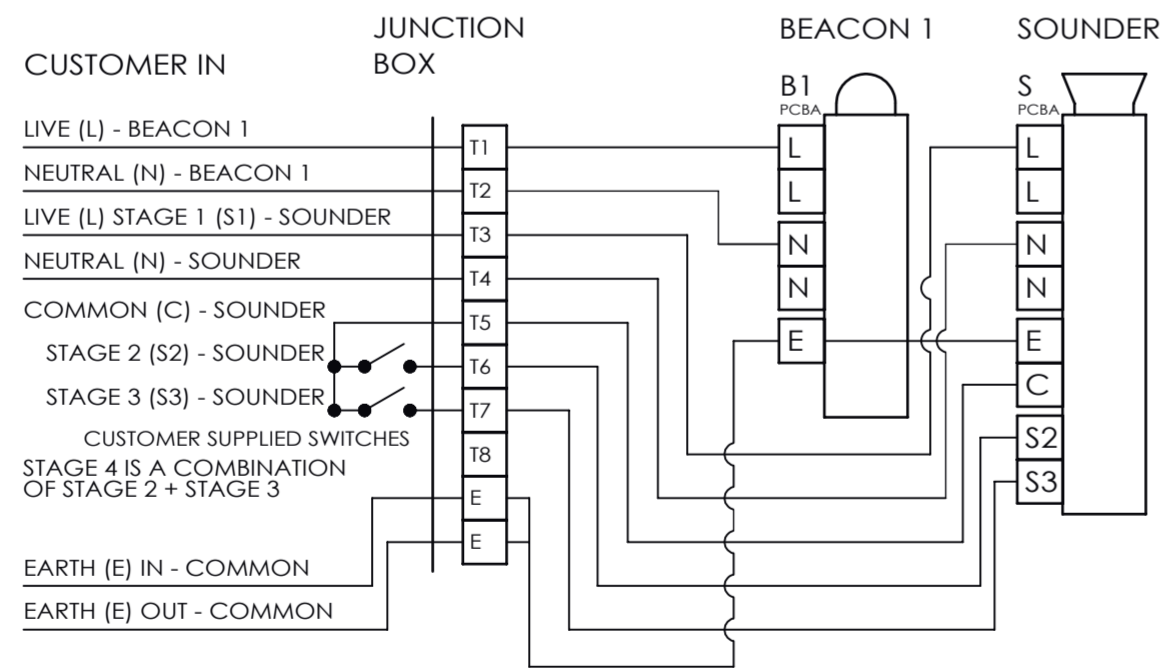
- AC VOLTAGE SUPPLY
- COMMON NEUTRAL CONNECTION TO ALL SIGNALS
- COMMON STAGE SWITCHING FOR ALARM HORN SOUNDER

ENTRY TERMINALS



CONFIG. 2

- AC VOLTAGE SUPPLY
- INDEPENDENT CONNECTIONS TO ALL SIGNALS
- COMMON STAGE SWITCHING FOR ALARM HORN SOUNDER (2 STAGES)



DRAWING TO BS8888:2000 GEOMETRIC TOLERANCES TO ISO1101:1983 LINEAR DIMENSIONAL TOLS ANGULAR DIMENSIONAL TOLS	DRAWN	DATE	SURFACE FINISH FINISH	WEIGHT (kg)	THIS DRAWING AND ANY INFORMATION OR DESCRIPTIVE MATTER THEREIN IS COMMUNICATED IN CONFIDENCE AND IS THE COPYRIGHT PROPERTY OF EUROPEAN SAFETY SYSTEMS LTD. NEITHER THE WHOLE OR ANY EXTRACT MAY BE DISCLOSED, LOANED, COPIED OR USED FOR MANUFACTURING OR TENDERING PURPOSES WITHOUT THEIR WRITTEN CONSENT.	 EUROPEAN SAFETY SYSTEMS LTD IMPRESS HOUSE MANSELL ROAD ACTON LONDON W3 7QH WWW.E2S.COM	ALL DIMENSIONS IN MM IF IN DOUBT, ASK - DO NOT SCALE	 A2	
	CHECKED	DATE					MATERIAL		TITLE D1xC3 STACK - BEACON & ALARM HORN WITH JUNCTION BOX WIRING SCHEMATIC
	APPROVED	DATE					ALTERNATIVE MATERIAL		SCALE NTS SHEET 3 OF 3 DRAWING NUMBER D226-06-128
STANDARDS	R.N.POTTS	15-08-2019			EUROPEAN SAFETY SYSTEMS LTD. AS PER LATEST DATE OF ISSUE SHOWN ABOVE				

EU Declaration of Conformity



Manufacturer: European Safety Systems Ltd.
Impress House, Mansell Road, Acton
London, W3 7QH
United Kingdom

Authorised Representative: E2S Warnsignaltechnik UG
Charlottenstrasse 45-51
72764 Reutlingen
Germany

Equipment Type: D1xP2
D1xC3

For Beacon options (D1xB2X05/D1xB2X10/D1xB2X15/D1xB2X21/D1xB2LD2) and Junction Box option (D1xJ2) used in D1xP2 & D1xC3:

Directive 2014/34/EU: Equipment and Protective Systems for use in Potentially Explosive Atmospheres (ATEX)

Notified Body for EU type Examination (Module B):	UL International Demko A/S Notified Body No.: 0539 Borupvang 5A, 2750 Ballerup, Denmark
EU-type Examination Certificate (Module B):	DEMKO 19 ATEX 2009X Rev. 1
Notified Body for Quality Assurance Notification / Conformity to EU-type based on quality assurance of the production process (Module D):	Sira Certification Service Notified Body No.: 2813 CSA Group Netherlands B.V, Utrechtseweg 310, 6812 AR, Arnhem, Netherlands
Quality Assurance Notification (Module D):	SIRA 05 ATEX M342
Provisions fulfilled by the equipment:	II 2G Ex d IIC T6...T3 Gb II 2D Ex tb IIIC T95°C...T169°C Db
Standards applied:	EN 60079-0:2018 EN 60079-1:2014 EN 60079-31:2014 IP6X Dust Protection to EN60079-0 / EN60079-31

Regulation EU No. 305/2011: Construction Products Regulation (CPR) –part codes listed below only – 1Hz Flash Mode only

Notified Product Certification Body for Certificate of Constancy of Performance or EC Type Examination Certificate and continuous surveillance, assessment and evaluation of factory production control:	BRE Global Assurance (Ireland) Limited Notified Body No.: 2831 DCU Alpha, Old Finglas Road, Glasnevin, Dublin, D11 KXN4
Certificate of Constancy of Performance or EC Type Examination Certificate:	2831-CPR-F4859 (D1xB2X05DC024***A1R/C, D1xB2X05DC024***ATR/C, D1xB2X05DC024***A1G/C & D1xB2X05DC024***ATG/C only) 2831-CPR-F4899 (D1xB2X05DC024***A1R/R, D1xB2X05DC024***ATR/R, D1xB2X05DC024***A1G/R & D1xB2X05DC024***ATG/R only)
Standards applied:	EN 54-23:2010

EU Declaration of Conformity



For Sounder options (D1xS1/D1xS2) used in D1xC3:

Directive 2014/34/EU: Equipment and Protective Systems for use in Potentially Explosive Atmospheres (ATEX)

Notified Body for EU type Examination (Module B):	UL International Demko A/S Borupvang 5A 2750 Ballerup Denmark
EU-type Examination Certificate (Module B):	DEMKO 19 ATEX 2141X
Notified Body for Quality Assurance Notification / Conformity to EU-type based on quality assurance of the production process (Module D):	Sira Certification Service Notified Body No.: 2813 Unit 6, Hawarden Industrial Park, Hawarden, Deeside, CH5 3US, UK
Quality Assurance Notification (Module D):	SIRA 05 ATEX M342
Provisions fulfilled by the equipment:	II 2G Ex db IIC T6...T3 GB II 2D Ex tb IIIC T82°C...145°C Db
Standards applied:	EN 60079-0:2018 EN 60079-1:2014 EN60079-31:2014

Regulation EU No. 305/2011: Construction Products Regulation (CPR) – D1xS1FDC024***A1R & D1xS1FDC024***A1G only – tones 1, 2, 5, 8, 40, 44, 53 only

Notified Product Certification Body for Certificate of Constancy of Performance or EC Type Examination Certificate and continuous surveillance, assessment and evaluation of factory production control:	BRE Global Assurance (Ireland) Limited Notified Body No.: 2831 DCU Alpha, Old Finglas Road, Glasnevin, Dublin, D11 KXN4
Certificate of Constancy of Performance or EC Type Examination Certificate:	2831-CPR-F4858
Standards applied:	EN 54-3:2001 + A1:2002 + A2:2006

For all option ranges used in D1xP2 & D1xC3 listed above:

Directive 2014/30/EU: Electromagnetic Compatibility Directive (EMC)

Standards applied:	EN IEC 61000-6-1:2019 & IEC 61000-6-1:2016 EN IEC 61000-6-2:2019 & IEC 61000-6-2:2016 EN IEC 61000-6-3:2021 & IEC 61000-6-3:2020 EN IEC 61000-6-4:2019 & IEC 61000-6-4:2018
--------------------	--

Directive 2014/35/EU: Low Voltage Directive (LVD)

Standards applied:	EN 60947-1:2007 + A2:2014
--------------------	---------------------------

Directive 2011/65/EU: Restriction of the use of certain hazardous substances in electrical and electronic equipment (RoHS)

The product and all the components contained within it are in accordance with the restriction of the use of hazardous substances in electrical and electronic equipment, including amendment by Directive 2015/863/EU.

Regulation (EC) 1907/2006: Registration, Evaluation, Authorisation and Restriction of Chemicals (REACH)

The product and all the components contained within it are free from substances of very high concern.

Other Standards and Regulations

EN 60529:1991 + A1:2000 + A2:2013. - Degrees of protection provided by enclosures (IP code) – enclosure rated IP66/67

EU Declaration of Conformity



On behalf of European Safety Systems Ltd., I declare that, on the date the equipment accompanied by this declaration is placed on the market, the equipment conforms with all technical and regulatory requirements of the above listed directives, regulations and standards.

This Declaration is issued under the sole responsibility of the manufacturer.

A handwritten signature in black ink, appearing to read 'Martin Streetz'.

Martin Streetz
Quality Assurance Manager

Document No.: DC-110_Issue_A
Date and Place of Issue: London, 05/01/2024



UKCA Declaration of Conformity



Manufacturer: European Safety Systems Ltd.
Impress House, Mansell Road, Acton
London, W3 7QH
United Kingdom

Equipment Type: D1xP2
D1xC3

For Beacon options (D1xB2X05/D1xB2X10/D1xB2X15/D1xB2X21/D1xB2LD2) and Junction Box option (D1xJ2) used in D1xP2 & D1xC3:

Directive UKSI 2016:1107 (as amended by UKSI 2019:696) – Schedule 3A, Part 1 : Product or Protective System Intended for use in Potentially Explosive Atmospheres (UKCA)

Notified Body for UK type Examination (Module B):	UL International (UK) Ltd Notified Body No.: 0843 Unit 1-3 Horizon Kingsland Business Park, Wade Road, Basingstoke, Hampshire RG24 8AH UK
UK-type Examination Certificate (Module B):	UL21UKEX2130X
Notified Body for Quality Assurance Notification / Conformity to EU-type based on quality assurance of the production process (Module D):	Sira Certification Service Notified Body No.: 0518 Rake Lane, Eccleston, Chester CH4 9JN, UK
Quality Assurance Notification (Module D):	CSAE 22UKQAN0046
Provisions fulfilled by the equipment:	II 2G Ex d IIC T6...T3 Gb II 2D Ex tb IIIC T95°C...T169°C Db
Standards applied:	EN 60079-0:2018 EN 60079-1:2014 EN 60079-31:2014 IP6X Dust Protection to EN60079-0 / EN60079-31

Regulation EU No. 305/2011: Construction Products Regulation (CPR) –part codes listed below only – 1Hz Flash Mode only

Notified Product Certification Body for Certificate of Constancy of Performance or EC Type Examination Certificate and continuous surveillance, assessment and evaluation of factory production control:	BRE Global Limited Notified Body No.: 0832 Bucknalls Lane, Garston, Watord, Hertfordshire, UK, WD25 9XX
Certificate of Constancy of Performance or EC Type Examination Certificate:	0832-UKCA-CPR-F41783 (D1xB2X05DC024***A1R/C, D1xB2X05DC024***ATR/C, D1xB2X05DC024***A1G/C & D1xB2X05DC024***ATG/C only) 0832-UKCA-CPR-F1854 (D1xB2X05DC024***A1R/R, D1xB2X05DC024***ATR/R, D1xB2X05DC024***A1G/R & D1xB2X05DC024***ATG/R only)
Standards applied:	EN 54-23:2010

For Sounder options (D1xS1/D1xS2) used in D1xC3:

Directive UKSI 2016:1107 (as amended by UKSI 2019:696) – Schedule 3A, Part 1 : Product or Protective System Intended for use in Potentially Explosive Atmospheres (UKCA)

Notified Body for UK type Examination (Module B):	UL International (UK) Ltd Notified Body No.: 0843 Unit 1-3 Horizon Kingsland Business Park, Wade Road, Basingstoke, Hampshire RG24 8AH UK
UK-type Examination Certificate (Module B):	UL21UKEX2132X
Notified Body for Quality Assurance Notification / Conformity to EU-type based on quality assurance of the production process (Module D):	Sira Certification Service Notified Body No.: 0518 Rake Lane, Eccleston, Chester CH4 9JN, UK
Quality Assurance Notification (Module D):	CSAE 22UKQAN0046
Provisions fulfilled by the equipment:	II 2G Ex db IIC T6...T3 GB II 2D Ex tb IIIC T82°C...145°C Db
Standards applied:	EN 60079-0:2018 EN 60079-1:2014 EN60079-31:2014

Regulation EU No. 305/2011: Construction Products Regulation (CPR) – D1xS1FDC024***A1R & D1xS1FDC024***A1G only – tones 1, 2, 5, 8, 40, 44, 53 only

Notified Product Certification Body for Certificate of Constancy of Performance or EC Type Examination Certificate and continuous surveillance, assessment and evaluation of factory production control:	BRE Global Limited Notified Body No.: 0832 Bucknalls Lane, Garston, Watord, Hertfordshire, UK, WD25 9XX
Certificate of Constancy of Performance or EC Type Examination Certificate:	0832-UKCA-CPR-F1782
Standards applied:	EN 54-3:2001 + A1:2002 + A2:2006

For all option ranges used in D1xP2 & D1xC3 listed above:

Directive 2014/30/EU: Electromagnetic Compatibility Directive (EMC)

Standards applied:	EN IEC 61000-6-1:2019 & IEC 61000-6-1:2016 EN IEC 61000-6-2:2019 & IEC 61000-6-2:2016 EN IEC 61000-6-3:2021 & IEC 61000-6-3:2020 EN IEC 61000-6-4:2019 & IEC 61000-6-4:2018
--------------------	--

Directive 2014/35/EU: Low Voltage Directive (LVD)

Standards applied:	EN 60947-1:2007 + A2:2014
--------------------	---------------------------

Directive 2011/65/EU: Restriction of the use of certain hazardous substances in electrical and electronic equipment (RoHS)

The product and all the components contained within it are in accordance with the restriction of the use of hazardous substances in electrical and electronic equipment, including amendment by Directive 2015/863/EU.

Regulation (EC) 1907/2006: Registration, Evaluation, Authorisation and Restriction of Chemicals (REACH)

The product and all the components contained within it are free from substances of very high concern.

Other Standards and Regulations

EN 60529:1991 + A1:2000 + A2:2013. - Degrees of protection provided by enclosures (IP code) – enclosure rated IP66/67



UKCA Declaration of Conformity



On behalf of European Safety Systems Ltd., I declare that, on the date the equipment accompanied by this declaration is placed on the market, the equipment conforms with all technical and regulatory requirements of the above listed directives, regulations and standards.

This Declaration is issued under the sole responsibility of the manufacturer.

Martin Streetz
Quality Assurance Manager

Document No.: DC-111_Issue_A
Date and Place of Issue: London, 05/01/2024