

E2xB05 & E2xB10 5 & 10 Joule Xenon Strobe Beacons

- E2xB05 : 5 Joule @ 1Hz (5 Ws).
- E2xB10 : 10 Joule @ 1Hz (10 Ws).
- 6 lens colours available
Red, Amber, Blue, Green, Yellow & Clear.
- Xenon tube mechanically secured against vibration/shock.
- User replaceable Xenon tube assembly.
- Voltages : 12vdc; 24vdc; 48vdc; 120vac; 230vac
- Borosilicate glass dome.
- Stainless Steel dome guard as standard
- Enclosure material : UL94V0 PPS
- Weight : 1.48Kg
- ATEX: IP66 & IP67
- UL: Type 4, 4X & 13

- ATEX: E2xB05EG
Zone 2 Ex II 3G EEx nA nL IIC T2 (Tamb -20°C to +55°C)
Zone 2 Ex II 3G EEx nA nL IIC T3 (Tamb -20°C to +40°C)
Cert: DEMKO 06 ATEX 0421554
- UL: E2xB05UL
Class I, Division 2, Groups A,B,C,D T2D (215°C) (at +55°C)
Class I, Division 2, Groups A,B,C,D T3 (200°C) (at +40°C)
Class II, Division 2, Groups F & G T5 (100°C) (at +55°C)
Class II, Division 2, Groups F & G T6 (85°C) (at +40°C)
Class III, Division 1, T5 (100°C) (at +55°C)
Class III, Division 1, T6 (85°C) (at +40°C)
File: E254313

- ATEX: E2xB10EG
Zone 2 Ex II 3G EEx nA nL IIC T2 (Tamb -20°C to +55°C)
Cert: DEMKO 06 ATEX 0421554
- UL: E2xB10UL
Class I, Division 2, Groups A,B,C,D T2A (280°C) (at +55°C)
Class II, Division 2, Groups F & G T4A (120°C) (at +55°C)
Class III, Division 1, T4A (120°C) (at +55°C)
Class II, Division 2, Groups F & G T5 (100°C) (at +40°C)
Class III, Division 1, T5 (100°C) (at +40°C)
File: E254313



A heavy duty high output Xenon beacon, ideal for hazardous environments.

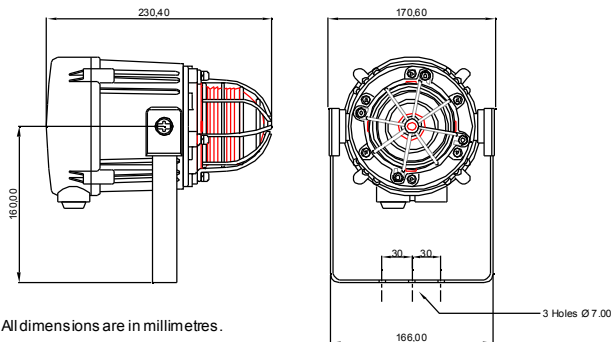
- Large termination area
- ATEX: 2 x M20 ISO cable gland entries (with 1 blanking plug).
- UL: 1 x 1/2"NPT cable gland entry with flying leads (0.5m)
- Ratchet adjustable stainless steel 'U' bracket for 360° positioning.
- ATEX 'EG' units offer IN & OUT terminals
- ATEX 'EG' unit terminals accept 0.5 to 2.5mm² cables.

Input voltages and current consumption for the E2xB05: 5 Joule beacon.

Voltage :	12vdc	24vdc	48vdc	120vac	230vac
				50/60Hz	50/60Hz
Voltage range :	10-14v	20-28v	42-58v	+/-10%	+/-10%
Current mA :	520mA	275mA	145mA	80mA	30mA

Input voltages and current consumption for the E2xB10: 10 Joule beacon.

Voltage :	24vdc	48vdc	120vac	230vac
			50/60Hz	50/60Hz
Voltage range :	20-28v	42-58v	+/-10%	+/-10%
Current mA :	560mA	260mA	185mA	107mA



Ordering code :

<u>E2xB05</u>	<u>UL</u>	<u>24DC</u>	<u>AM</u>
Product	Type	Voltage	Lens
E2xB05	EG	12DC	AM Amber
E2xB10	UL	24DC	BL Blue
		48DC	CL Clear
		115AC	GN Green
		230AC	RD Red
			YW Yellow

Also available :

- E2xCS112-05 Combined alarm sounder & xenon beacon**
- E2xS112 Alarm sounders**
- E2xS121 High output alarm sounders**
- E2xL15 15 watt PA loudspeakers**

