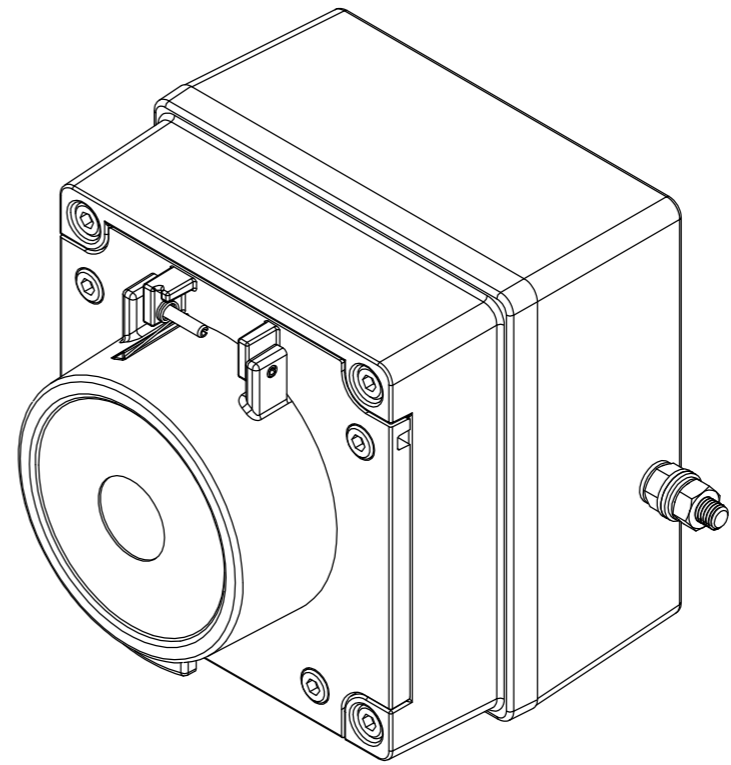
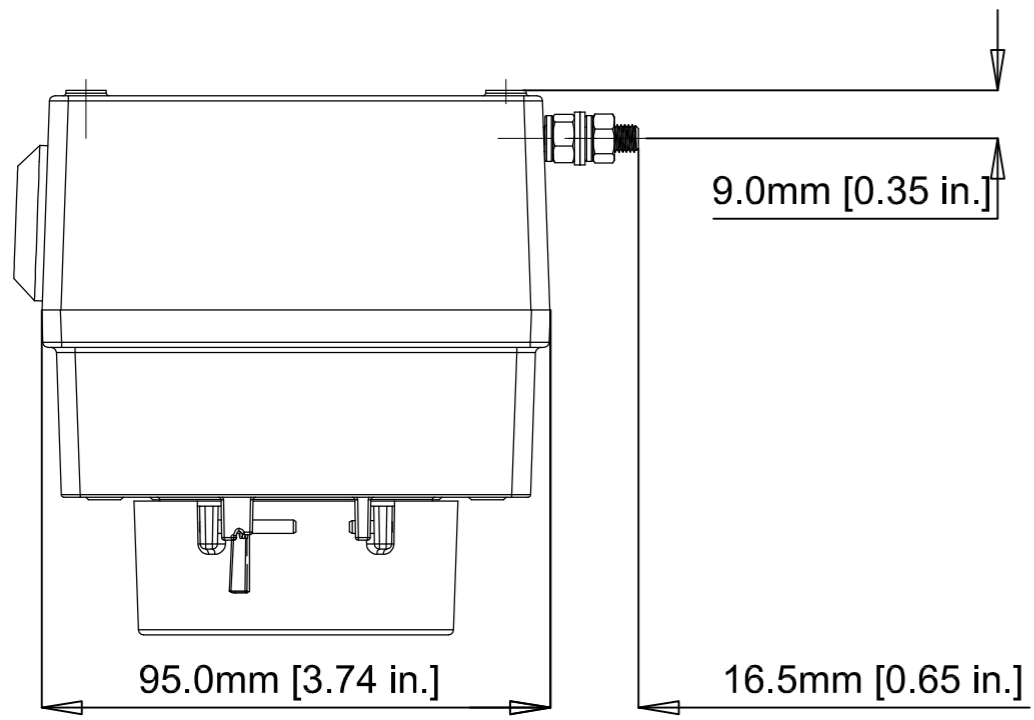
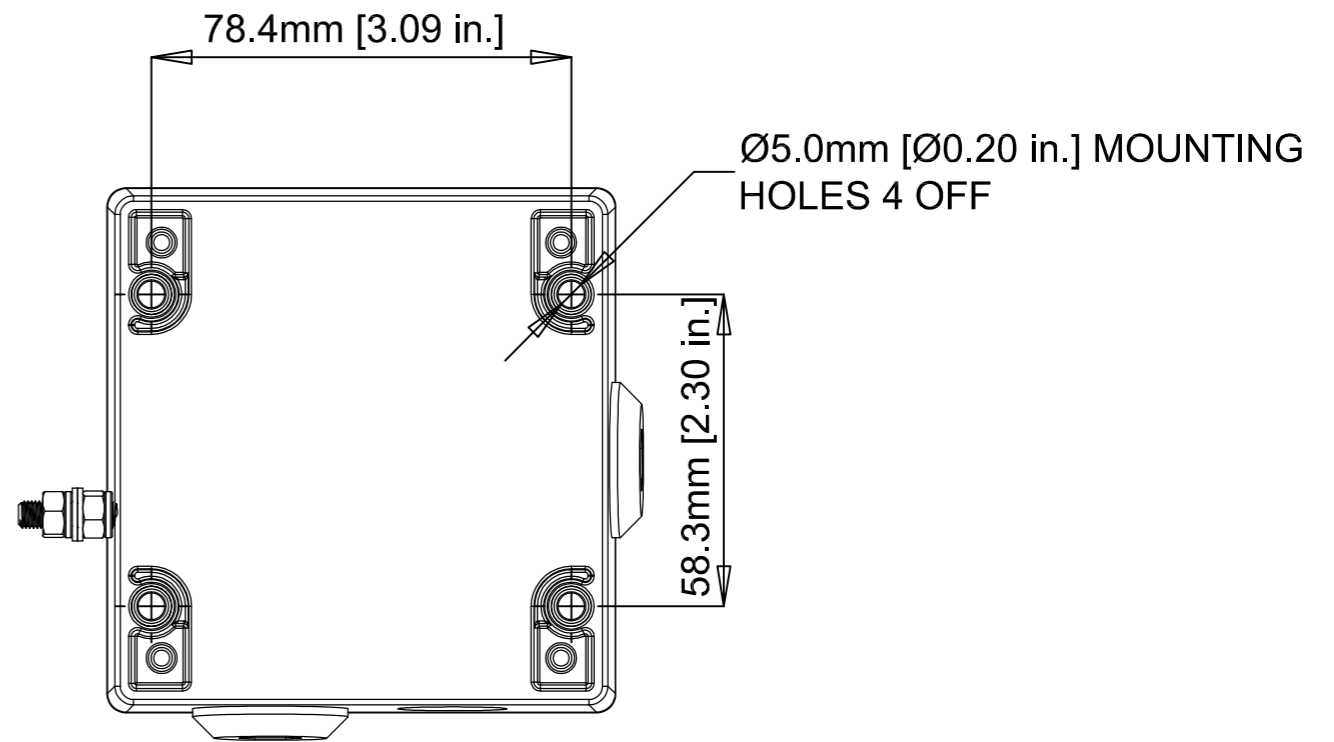
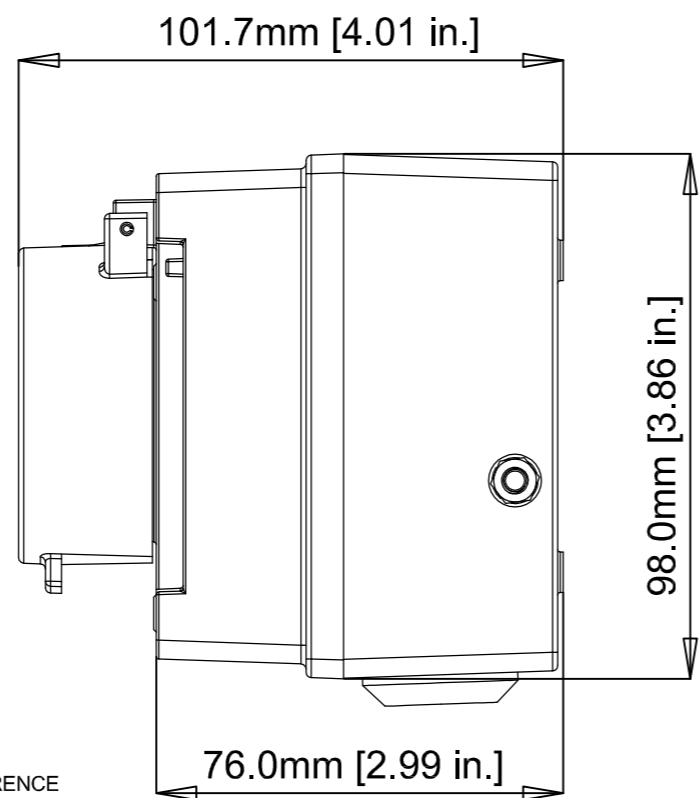
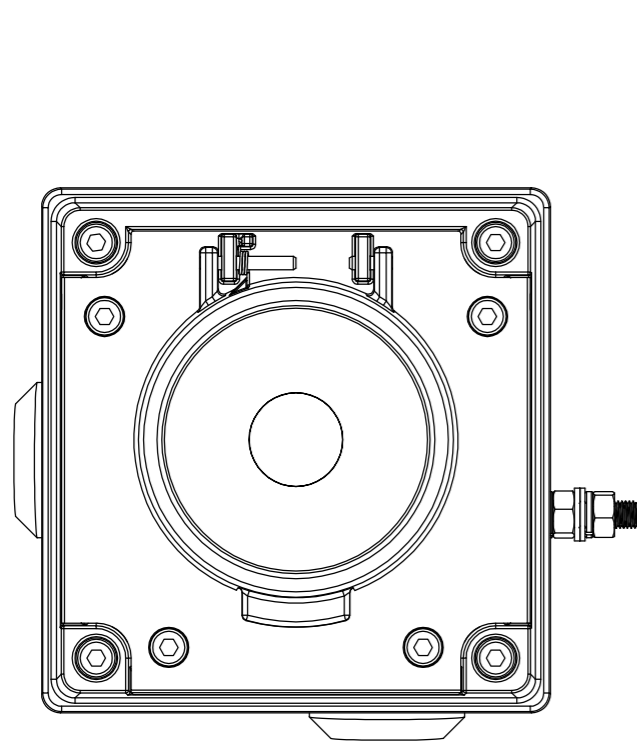


ISSUE	MOD No.	REASON - INITIAL - DATE
A		INTRODUCTION OF PART RNP 03-09-09
B		UPDATED TO DUAL DIMS. RSR 26-06-13



ISOMETRIC VIEW



E2S PART NO.	DESCRIPTION	DATA REFERENCE
BExCP3-PB	BExCP3A-PB/BExCP3B-PB PUSH BUTTON CALL POINT	1.24.080
BExCP3-PT	BExCP3A-PT/BExCP3B-PT TOOL RESET CALL POINT	1.24.090
IS-CP4-PB	IS-CP4A-PB/IS-CP4B-PB PUSH BUTTON CALL POINT	1.14.020
IS-CP4-PT	IS-CP4A-PT/IS-CP4B-PT TOOL RESET CALL POINT	1.14.030

WHERE APPLICABLE '-UL' VERSIONS ARE COVERED BY THIS OUTLINE DRAWING.

DRAWING TO BS8888:2000 GEOMETRIC TOLERANCES TO ISO1101:1983 LINEAR DIMENSIONAL TOLS ANGULAR DIMENSIONAL TOLS	DRAWN R.N.POTTS	DATE 03:09:09	SURFACE FINISH FINISH	WEIGHT (Kg)	THIS DRAWING AND ANY INFORMATION OR DESCRIPTIVE MATTER THEREIN IS COMMUNICATED IN CONFIDENCE AND IS THE COPYRIGHT PROPERTY OF EUROPEAN SAFETY SYSTEMS LTD. NEITHER THE WHOLE OR ANY EXTRACT MAY BE DISCLOSED, LOANED, COPIED OR USED FOR MANUFACTURING OR TENDERING PURPOSES WITHOUT THEIR WRITTEN CONSENT.	 EUROPEAN SAFETY SYSTEMS LTD IMPRESS HOUSE MANSELL ROAD ACTON LONDON W3 7QH WWW.E2S.COM	ALL DIMENSIONS IN MM IF IN DOUBT, ASK - DO NOT SCALE	 A2
	STANDARDS BExCP4 CALL POINTS	CHECKED R.N.POTTS	DATE 03:09:09	MATERIAL SEE ITEM LIST			ALTERNATIVE MATERIAL	