

SPECTRA B300SLF

Permanent Status Beacon
E14 Filament bulb
IP Rating: IP65
Temp: -25°C to +50°C
Unit weight: 262g
CE

Dimensions : Ø100 x 150mm
1.5mm² terminals
Cable entry: 1 x 5-7mm push through
grommet
1 x M20 cable entry (IP65)

Order code Voltage
B300SLF250B/x 12-250V

X = Lens colour
R = Red A = Amber
B = Blue C = Clear
G = Green Y = Yellow

Mountings
B300RAB001 Right angle bracket
B300TMA001 Tube mounting assembly
B300SLF unit is supplied without a bulb
Please order correct voltage and wattage


Bulb Type E14
E2S Part No. Version
BB261225E 12V 25W
BB263025E 24V 25W
BB264825E 48V 25W
BB2613025E 115V 25W
BB2623525E 230V 25W

Tel : +44 (0)2 8743 8880 Fax : +44 (0)20 8740 4200
Email : sales@e2s.com Web : www.e2s.com



 **ATTENTION:** Installation must be carried out by an electrician in compliance with the latest codes and regulations.

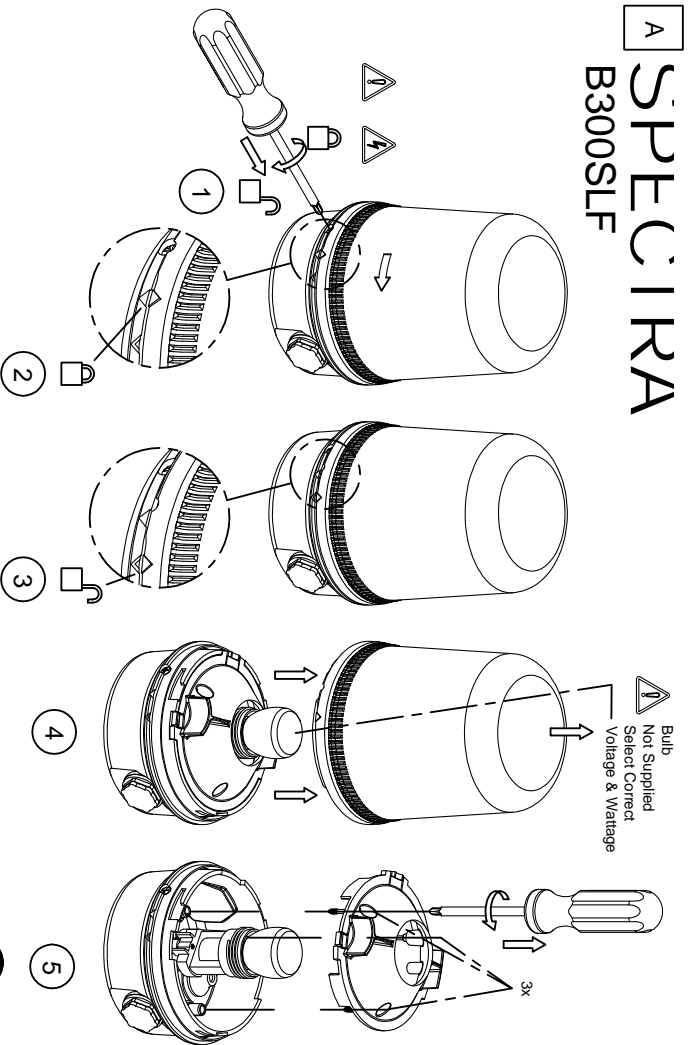
 **ATTENTION:** Disconnect from power source before installation or service to prevent electric shock.

 **ATTENTION:** Lens on unit will be hot allow to cool prior to removal.



A SPECIIRA

B300SLF

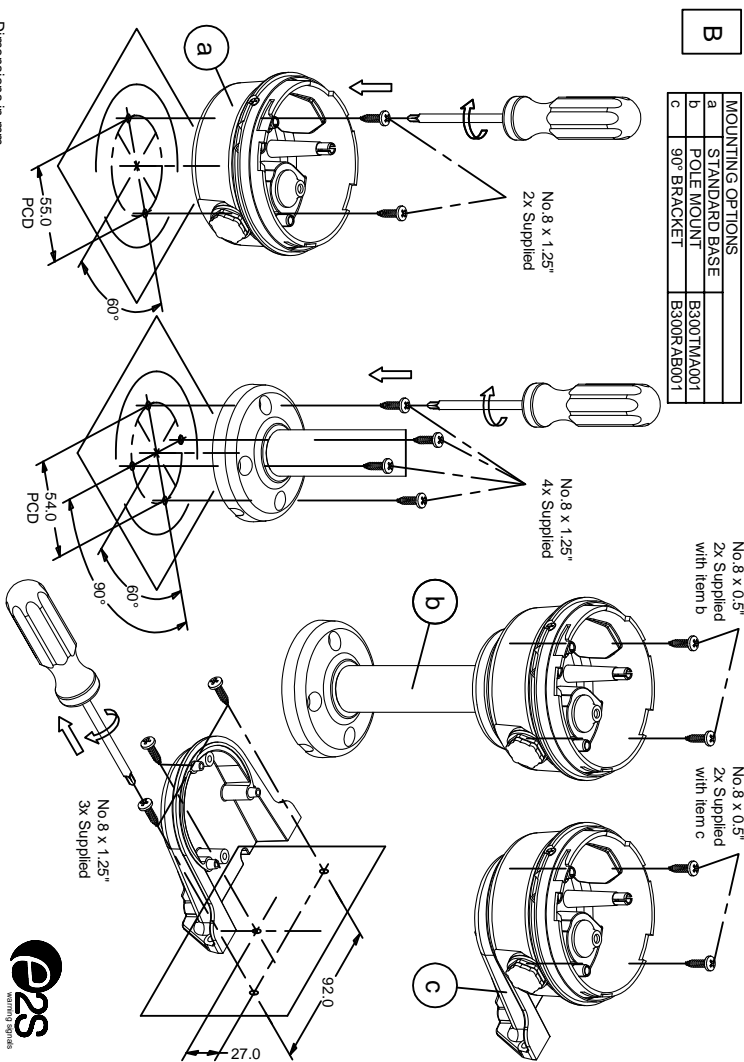


Bulb
Not Supplied
Select Correct
Voltage & Wattage

Tel : +44 (0)20 8743 8880 Fax : +44 (0)20 8740 4200
 email : sales@e2s.com web : www.e2s.com



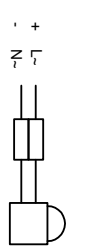
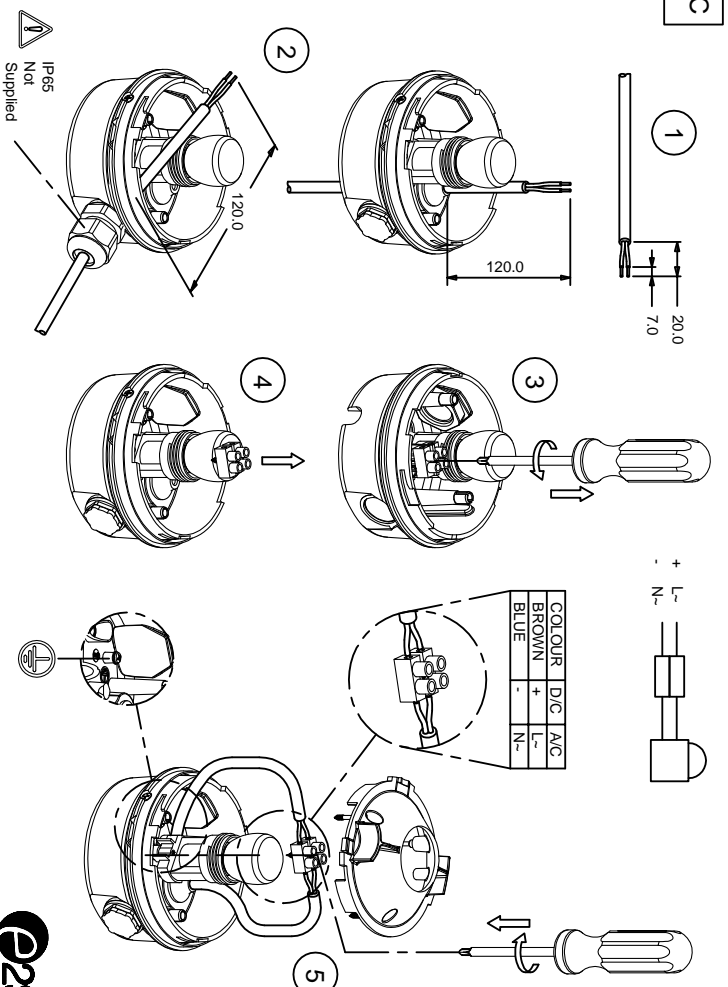
MOUNTING OPTIONS	
a	STANDARD BASE
b	POLE MOUNT
c	90° BRACKET



Dimensions in mm

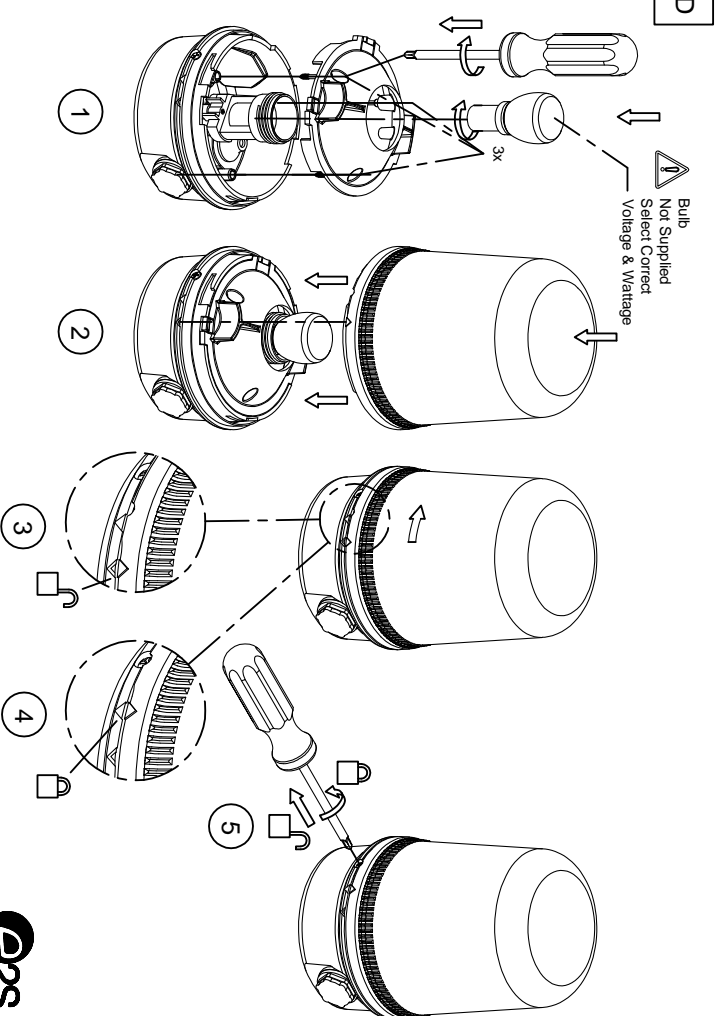


C



CLOUR	D/C	A/C
BROWN	+	L-
BLUE	-	N-

D



Bulb
Not Supplied
Select Correct
Voltage & Wattage

Dimensions in mm



01-10-00-101-HS-SHTZ-SSUE_B