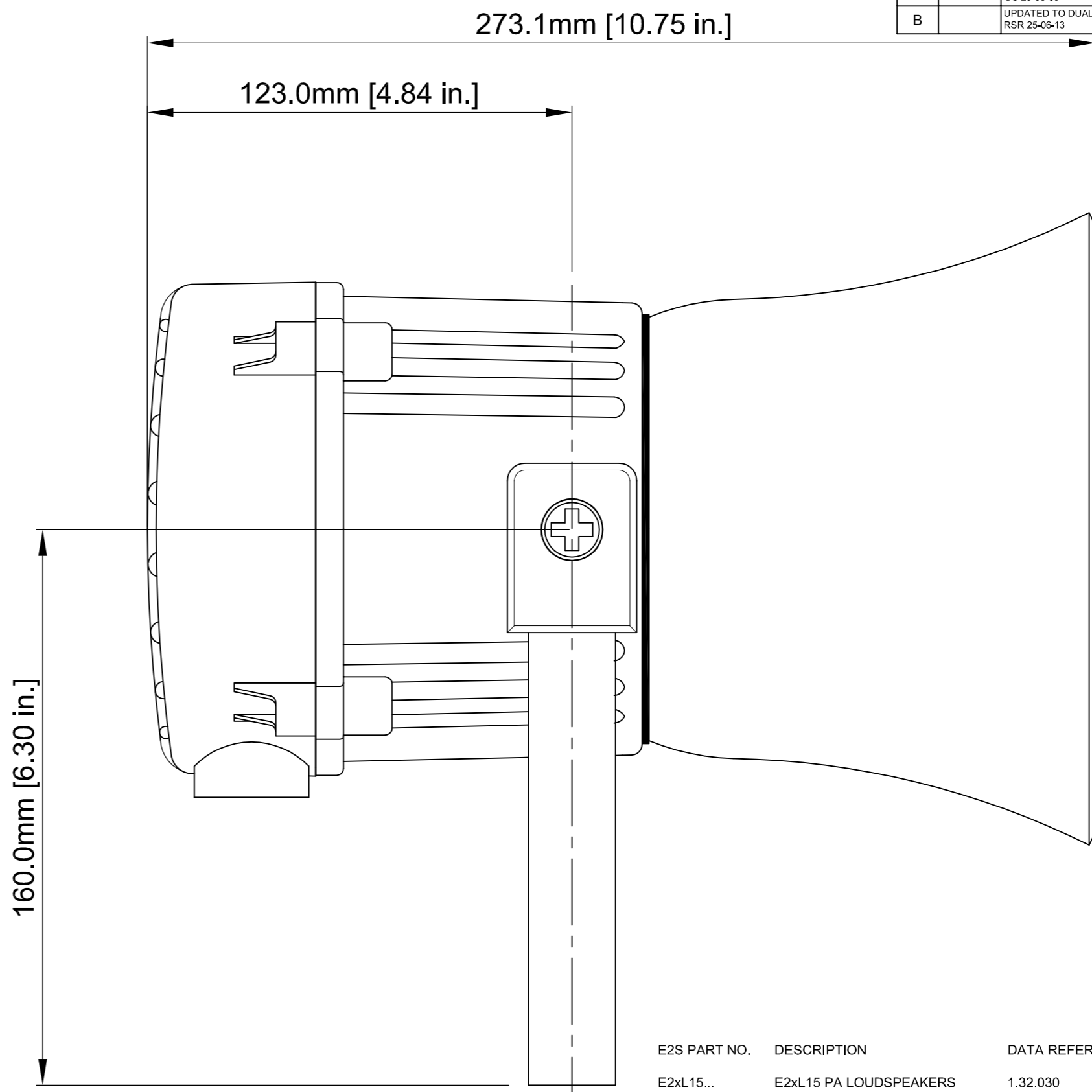
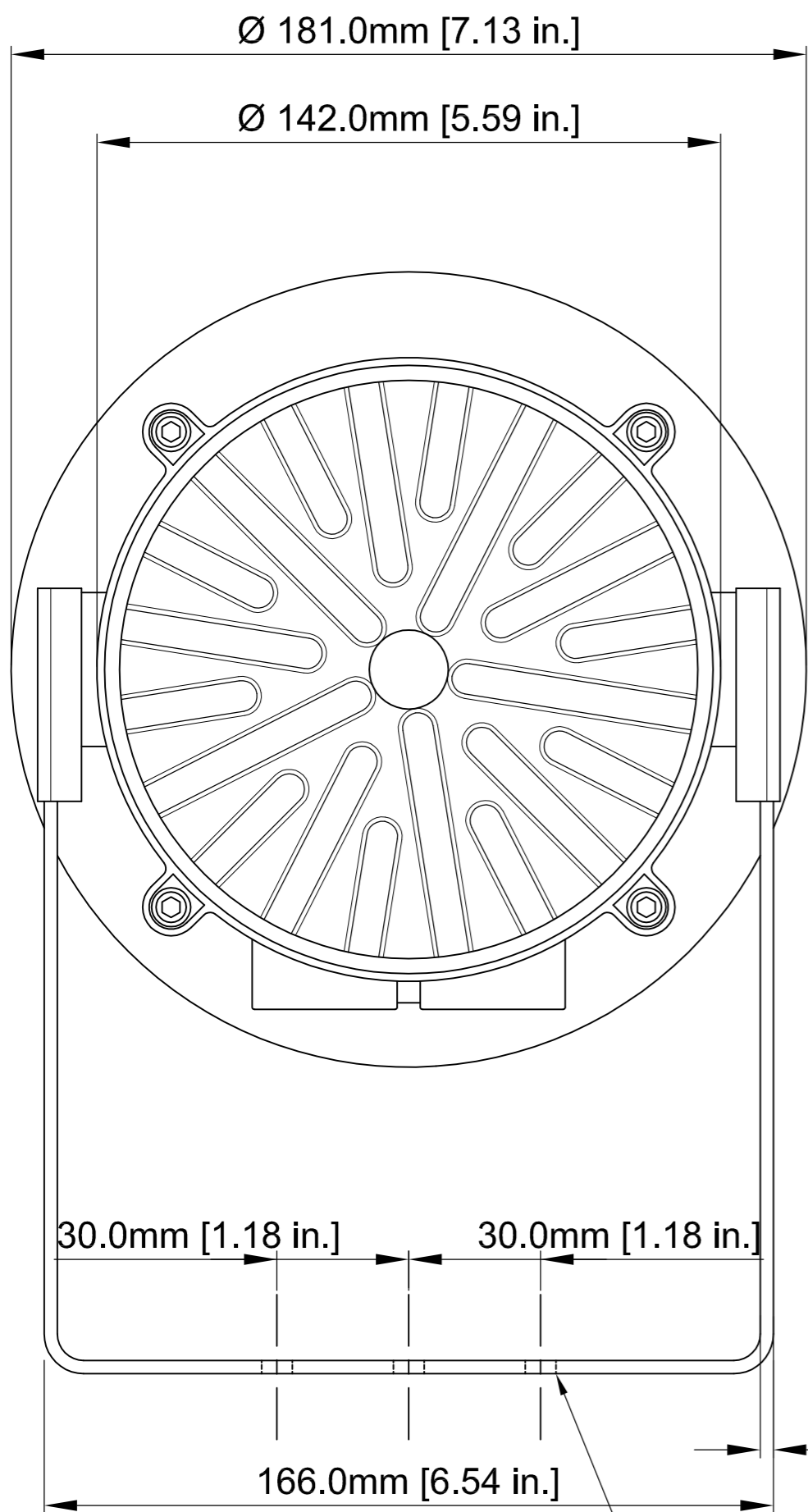


| ISSUE | MOD No. | INITIAL/DATE |
|-------|---------|---------------------------------------|
| A | | INTRODUCTION OF PART GU 28-08-09 |
| B | | UPDATED TO DUAL DIMS. RSR 25-06-13 |



| E2S PART NO. | DESCRIPTION | DATA REFERENCE |
|--------------|----------------------------|----------------|
| E2xL15... | E2xL15 PA LOUDSPEAKERS | 1.32.030 |
| E2xS112... | E2xS112 ALARM SOUNDER/HORN | 1.32.010 |
| MA112... | MA112 ALARM SOUNDER | 2.21.190 |
| ML15... | ML15 PA HORN LOUDSPEAKER | 2.24.010 |

WHERE APPLICABLE '-UL' VERSIONS ARE COVERED BY THIS OUTLINE DRAWING.

| | | | | | | | | |
|---|-------------------------|------------------|----------------------|---|---|---|--|---------------|
| DRAWING TO BS8888:2000 GEOMETRIC TOLERANCES TO ISO1101:1983 LINEAR DIMENSIONAL TOLS ANGULAR DIMENSIONAL TOLS | DRAWN G. UDOWICZENKO | DATE 26-08-09 | SURFACE FINISH | WEIGHT (Kg) | THIS DRAWING AND ANY INFORMATION OR DESCRIPTIVE MATTER THEREIN IS COMMUNICATED IN CONFIDENCE AND IS THE COPYRIGHT PROPERTY OF EUROPEAN SAFETY SYSTEMS LTD. NEITHER THE WHOLE OR ANY EXTRACT MAY BE DISCLOSED, LOANED, COPIED OR USED FOR MANUFACTURING OR TENDERING PURPOSES WITHOUT THEIR WRITTEN CONSENT. | EUROPEAN SAFETY SYSTEMS LTD IMPRESS HOUSE MANSELL ROAD ACTON LONDON W3 7QH WWW.E2S.COM | ALL DIMENSIONS IN MM IF IN DOUBT, ASK - DO NOT SCALE | A2 |
| | CHECKED | DATE | MATERIAL | TITLE E2xS112 SOUNDER OUTLINE | | | | |
| | APPROVED | DATE | ALTERNATIVE MATERIAL | SCALE 1:1 | | | | |

3 Holes Ø 7.0 [0.28 in.]