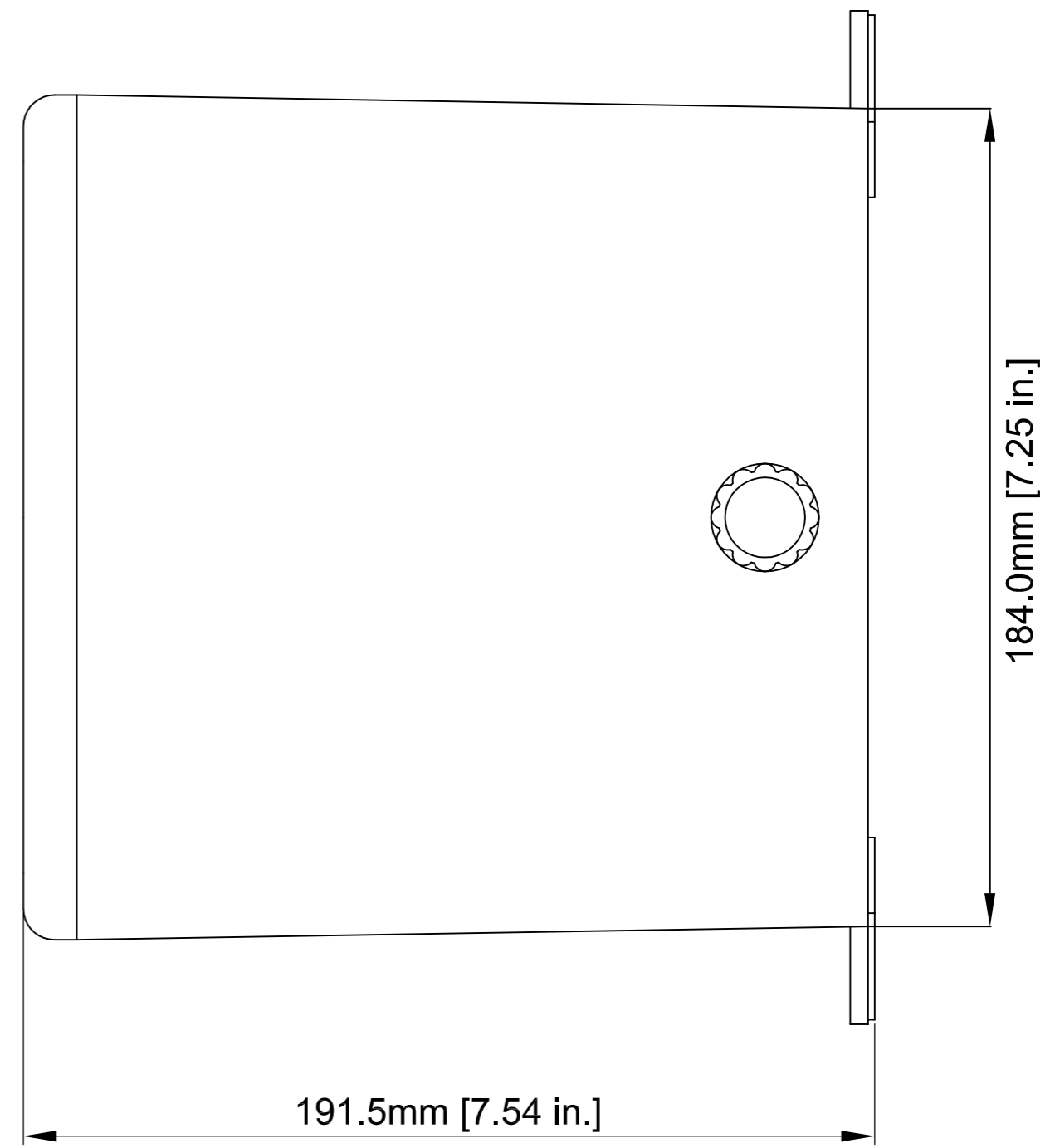
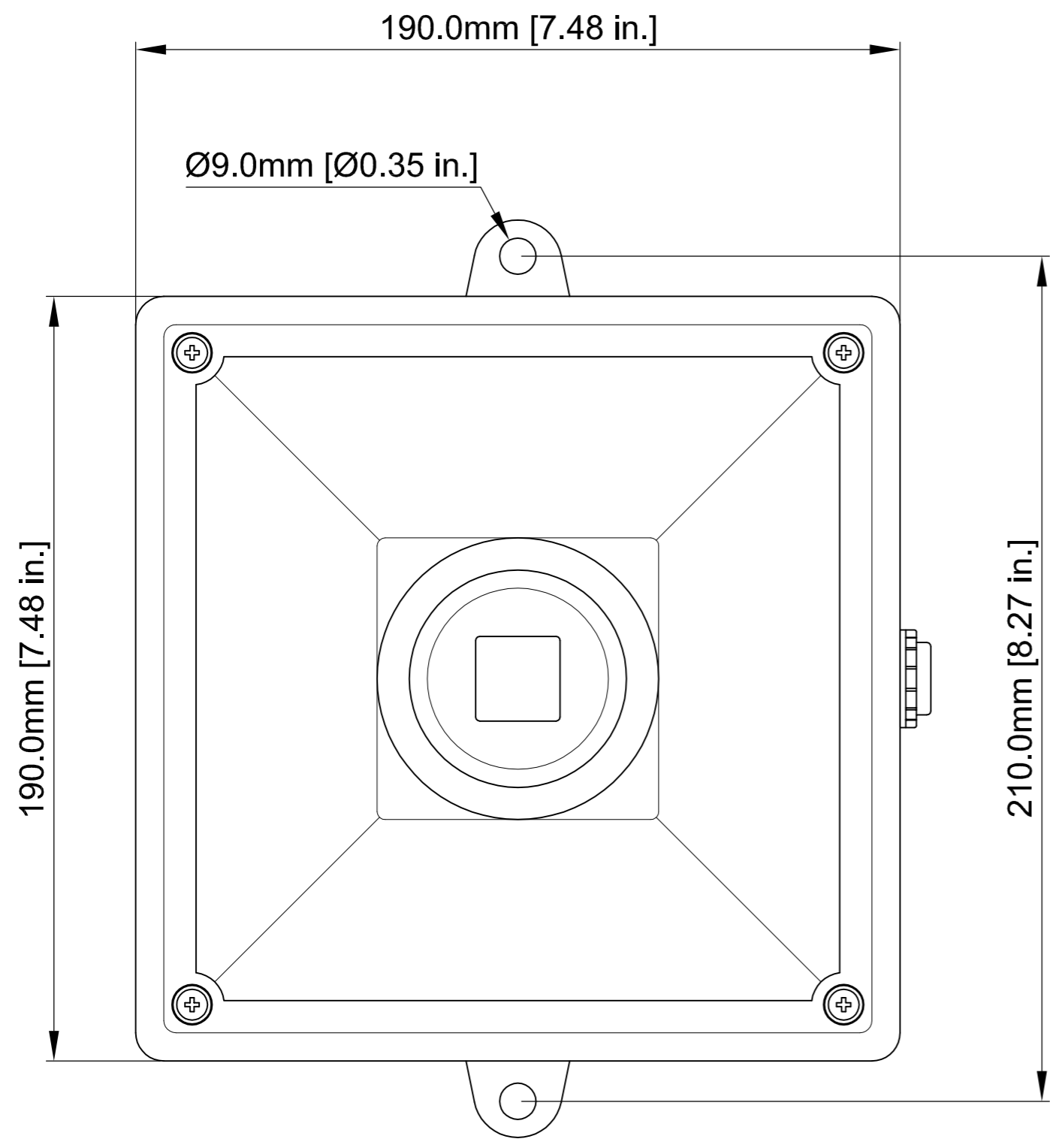


ISSUE	MOD No.	INITIAL/DATE
A		INTRODUCTION OF PART GU 14-08-09
B		CABLE GLAND ADDED GU 28-08-09
C		UPDATED TO DUAL DIMS. RSR 21-06-13
D		AMENDED INCORRECT IMPERIAL DIM. RSR 14-08-14



E2S PART NO.	DESCRIPTION	DATA REFERENCE
A121...	A121 ALARM SOUNDER	2.21.090
A121AX...	A121 APPELLO X	2.22.020
HA121...	HA121 ELECTRONIC SIREN, BUZZER, HOOTER & BELL	2.23.020

WHERE APPLICABLE '-JUL' VERSIONS ARE COVERED BY THIS OUTLINE DRAWING.

DRAWING TO BS8888:2000 GEOMETRIC TOLERANCES TO ISO1101:1983 LINEAR DIMENSIONAL TOLS ANGULAR DIMENSIONAL TOLS	DRAWN G. UDOWICZENKO	DATE 14-08-09	SURFACE FINISH	WEIGHT (Kg)	THIS DRAWING AND ANY INFORMATION OR DESCRIPTIVE MATTER THEREIN IS COMMUNICATED IN CONFIDENCE AND IS THE COPYRIGHT PROPERTY OF EUROPEAN SAFETY SYSTEMS LTD. NEITHER THE WHOLE OR ANY EXTRACT MAY BE DISCLOSED, LOANED, COPIED OR USED FOR MANUFACTURING OR TENDERING PURPOSES WITHOUT THEIR WRITTEN CONSENT.	 EUROPEAN SAFETY SYSTEMS LTD IMPRESS HOUSE MANSELL ROAD ACTON LONDON W3 7QH WWW.E2S.COM	ALL DIMENSIONS IN MM IF IN DOUBT, ASK - DO NOT SCALE		A2
	CHECKED	DATE	MATERIAL	TITLE A121 SOUNDER RANGE - OUTLINE					
	APPROVED	DATE	ALTERNATIVE MATERIAL	SCALE 1:1			SHEET 1 OF 1		