

ISSUE	MOD No.	REASON - INITIAL - DATE
1		INTRODUCTION RSR 02-01-2020
2		NEW FORMAT DH 17-05-2022

OPTIONAL LINE MONITORING RESISTOR, CUSTOMER SUPPLIED,
REQUIRED MINIMUM VALUES:
24VDC : 1KΩ MIN, 2W MIN OR 3K9Ω MIN, 0.5W MIN
48VDC : 3.9KΩ MIN, 2W MIN OR 15KΩ MIN, 0.5W MIN

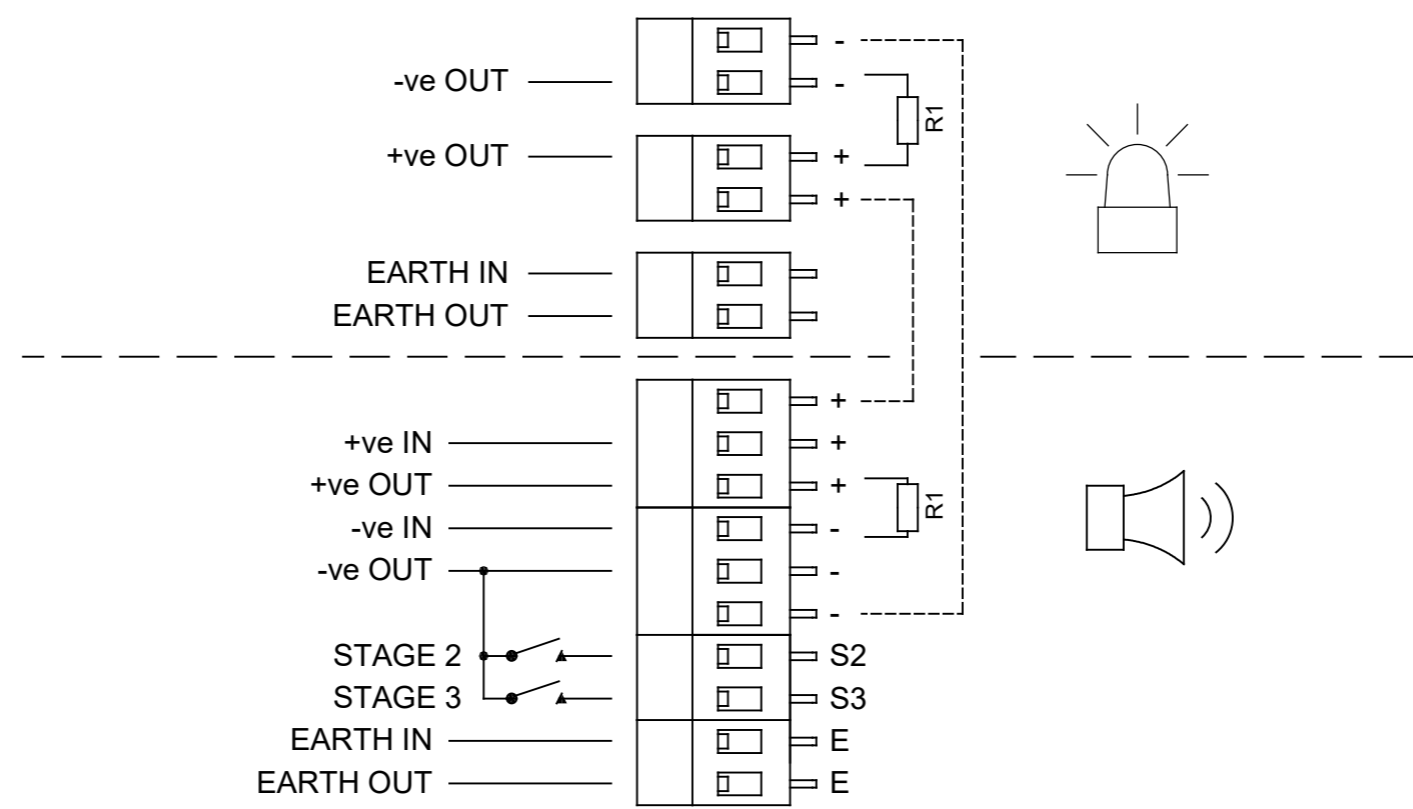
----- WIRING LINKING BEACON & SOUNDER
FACTORY FITTED

TO OPERATE SOUNDER AND BEACON
INDEPENDENTLY, REMOVE FACTORY
FITTED WIRES LINKING THE UNITS

DC D2XC2XH1/ XH2 UNITS

Line Monitoring

- Stage 1: Apply power to Sounder +ve & -ve
- Stage 2: Apply power to Sounder +ve & -ve. Connect Stage 2 to -ve
- Stage 3: Apply power to Sounder +ve & -ve. Connect Stage 3 to -ve
- Stage 4: Apply power to Sounder +ve & -ve. Connect Stage 2 and Stage 3 to -ve



DRAWING TO BS8888:2000
GEOMETRIC TOLERANCES TO ISO1101:1983
LINEAR DIMENSIONAL TOLS +/-0.35mm
ANGULAR DIMENSIONAL TOLS +/-2 deg

DRAWN	DATE
R.S.RAIT	27-06-2019
CHECKED	DATE
B. ISARD	27-06-2019
APPROVED	DATE
R.N.POTTS	27-06-2019

SURFACE FINISH	WEIGHT (Kg)
MATERIAL	
ALTERNATIVE MATERIAL	

THIS DRAWING AND ANY INFORMATION OR DESCRIPTIVE
MATTER THEREIN IS COMMUNICATED IN CONFIDENCE AND IS
THE COPYRIGHT PROPERTY OF EUROPEAN SAFETY SYSTEMS
LTD. NEITHER THE WHOLE OR ANY EXTRACT MAY BE
DISCLOSED, LOANED, COPIED OR USED FOR MANUFACTURING
OR TENDERING PURPOSES WITHOUT THEIR WRITTEN
CONSENT.

© EUROPEAN SAFETY SYSTEMS LTD.
AS PER LATEST DATE OF ISSUE SHOWN ABOVE

e2s
warning signals

EUROPEAN SAFETY SYSTEMS LTD
IMPRESS HOUSE
MANSELL ROAD
ACTON
LONDON W3 7QH
WWW.E2S.COM

ALL DIMENSIONS IN MM IF IN DOUBT, ASK - DO NOT SCALE		
TITLE D2xC2XH1/D2XC2XH2 PUBLIC MODE FIRE COMBINED BEACON AND SOUNDER WIRING DIAGRAM		
SCALE NTS	SHEET 1 OF 1	DRAWING NUMBER D211-06-651