



The IS-mA1M sounder is CE marked for compliance with the European Explosive Atmospheres Directive 2014/34/EU and the European EMC Directive 2014/30/EU

1) Introduction

The IS-mA1M minialarm is an ATEX and IECEx certified intrinsically safe sounder which produces a loud warning signal in a hazardous area. Forty-nine first stage alarm sounds can be selected by internal switches and each one can be externally changed to a second or third stage alarm sound. The sounder is Category M1 equipment for mining and is designed such that it can stay operational when an explosive atmosphere is present.

2) Description

Fig 1 shows a simplified block diagram of an IS-mA1M minialarm sounder. The device operates immediately power is applied to the + and - terminals which are duplicated to allow a second sounder to be connected in parallel, or for an end of line monitoring resistor to be installed. The output tone is defined by the positions of the six internal switches and this tone can be changed to a second or third stage alarm tone by connecting terminals S2 or S3 to 0V. The tone generator is crystal controlled to ensure that when two sounders connected to the same power supply are started at the same time the output tones remain synchronised.

3) Supply Voltage

The IS-mA1M minialarm sounder has been designed to operate in a hazardous area from a 24V dc supply via a 28V 93mA resistive ATEX and IECEx certified Zener Barrier or Galvanic isolator. The sounders may be tested or used in safe areas without a Zener Barrier or Galvanic Isolator, but at supply voltages above 16V the internal current limit will function and therefore it is recommended that they are not operated continuously with a direct supply greater than 16V.

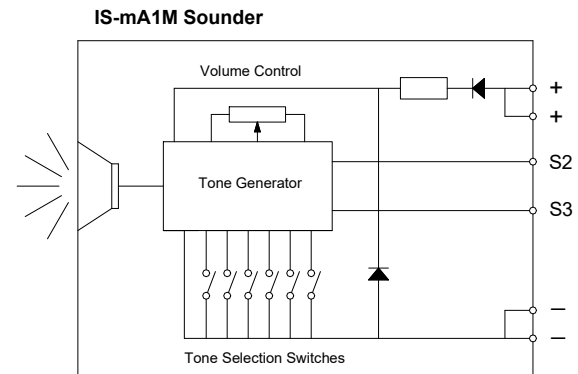



Fig 1 Simplified block diagram

4) Intrinsic Safety Certification

4.1 ATEX certificate

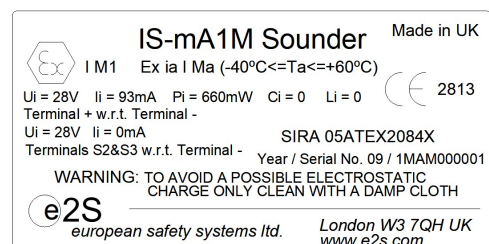
The IS-mA1M minialarm sounder complies with the following standards:-

EN IEC 60079-0:2018
EN60079-11:2012
EN60079-26:2014 Ed 3.0

 I M1 Ex ia I Ma (-40°C ≤ Ta ≤ +60°C)

The EC-Type Examination Certificate SIRA 05ATEX2084X has been issued by the Notified Body Sira. This confirms compliance with the European ATEX Directive 2014/34/EU for Group I, Category M1 equipment. The sounder carries the Community Mark and subject to local codes of practice, may be installed in any of the EEA member countries. When designing systems for installation outside the UK, the local Code of Practice should be consulted.

- 1) The certification marking is as follows:



- 2) The equipment may only be used in atmospheres endangered by fire damp and / or coal dust. The equipment is intended to remain functional in such atmospheres.
- 3) The equipment is only certified for use in ambient temperatures in the range -40°C to +60°C and should not be used outside this range.
- 4) The certificate number has an 'X' suffix, which indicates that the certificate contains one of more special conditions for safe use. Those installing or

- inspecting the equipment should refer to this section of the certificate.
- 5) The equipment has not been assessed as a safety-related device (as referred to by ATEX Directive 2014/34/EU Annex II, clause 1.5).
 - 6) Installation of this equipment shall be carried out by suitably-trained personnel in accordance with the applicable code of practice.
 - 7) Repair of this equipment shall only be carried out by the manufacturer or in accordance with the applicable code of practice.
 - 8) The certification of this equipment relies on the following materials used in its construction:

Enclosure: ABS Plastic

If the equipment is likely to come into contact with aggressive substances, then it is the responsibility of the user to take suitable precautions that prevent it from being adversely affected, thus ensuring that the type of protection is not compromised.

“Aggressive substances” - e.g. acidic liquids or gases that may attack metals, or solvents that may affect polymeric materials.

“Suitable precautions” - e.g. regular checks as part of routine inspections or establishing from the material’s data sheet that it is resistant to specific chemicals.

SPECIAL CONDITIONS FOR SAFE USE (as stated in the EC Type Examination Certificate SIRA 05ATEX2084X)

Conditions for IS-mA1M Sounder

The equipment has an ingress protection rating of IP65. However, if it has been supplied without cable entry devices, then the user shall ensure that the devices that are fitted will provide an ingress protection that is appropriate to the environment in which it is installed i.e. IP20 or better. If only one of the two cable entries are used, then the unused entry 'knockout' shall be left intact or fitted with a blanking device that ensures ingress protection appropriate to the environment in which it is installed i.e. IP20 or better.

The total capacitance connected to terminals + wrt - (i.e. the capacitance of the cable plus any other capacitance) shall not exceed 83nF.

The enclosure is non-conducting and may generate an ignition-capable level of electrostatic charges under certain extreme conditions. The user should ensure that the equipment is not installed in a location where it may be subjected to external conditions that might cause a build-up of electrostatic charges on non-conducting surfaces, additionally, cleaning of the equipment should be done only with a damp cloth.

The equipment shall only be supplied via Terminals + w.r.t. Terminals - from a barrier having a maximum open circuit voltage U_0 that is $\leq 28V$ and a maximum short circuit current I_0 that is $\leq 93mA$, where I_0 is resistively limited. The barrier shall be ATEX certified by a notified body.

4.2 Equipment Category

The IS-mA1M sounder is intended for use in mines endangered by fire damp and/or coal dust and can remain functional, even in the event of incidents where an explosive is atmosphere present.

4.3 Terminals + and -

Power is supplied to the sounder via the + and – terminals which have the following input safety parameters:

$$\begin{aligned} U_i &= 28V \\ I_i &= 93mA \\ P_i &= 660mW \end{aligned}$$

$$C_i = 0 \quad L_i = 0$$

The IS-mA1M sounder may be powered from an ATEX certified Zener barrier or galvanic isolator which have output parameters equal to or less than 28V, 93mA and 660mW, where I_0 is resistively limited. The cable parameters stated on the selected Zener barrier or galvanic isolator certificate must be observed.

Up to three IS-mA1M sounders can be connected in parallel and powered from a common barrier or isolator. Connecting two sounders in parallel will reduce the output from each by about 3dB. Three sounders should only be powered from a common supply when the maximum supply voltage is available.

4.4 Terminals S2 and S3

When terminals S2 or S3 are connected to 0V (- terminal) the sounder output tone changes to the second or third stage alarm respectively. The input safety parameters for these terminals are:

$$\begin{aligned} U_i &= 28V \\ I_i &= 0mA \end{aligned}$$

Because the permitted input current is zero, these terminals may only be connected to a diode return barrier, an intrinsically safe relay or a galvanic isolator, all of which must have been certified by an EC Notified Body. Only diode return barriers with a voltage drop of less than 0.9V may be used. Alternatively, these terminals may be connected directly to a mechanically activated switch within the hazardous area.

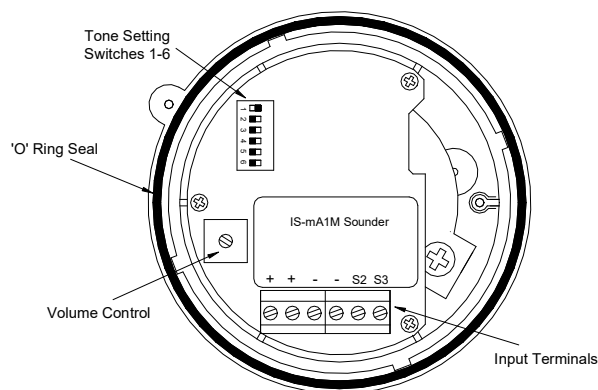


Fig 2 Location of field terminals and controls.

Tone Selection – To select the required first stage tone set the tone switches 1 to 6 (see Fig 2) to the tone setting shown in the table below. The table also shows which 2nd and 3rd stage tones are available for use with the selected first stage tone if more than one tone output stage is required.

| Tone Number | Tone Description | Switch Settings | Second Stage Alarm | Third Stage alarm |
|-------------|--|-----------------|--------------------|-------------------|
| | | 1 2 3 4 5 6 | | |
| Tone 1 | Continuous 340Hz | 0 0 0 0 0 | Tone 2 | Tone 5 |
| Tone 2 | Alternating 800/1000Hz @ 0.25s intervals | 1 0 0 0 0 | Tone 17 | Tone 5 |
| Tone 3 | Slow whoop 500/1200Hz @ 0.3Hz with 0.5s gap repeated | 0 1 0 0 0 | Tone 2 | Tone 5 |
| Tone 4 | Sweeping 500/1000Hz @ 1Hz | 1 1 0 0 0 | Tone 6 | Tone 5 |
| Tone 5 | Continuous 2400Hz | 0 0 1 0 0 | Tone 3 | Tone 20 |
| Tone 6 | Sweeping 2400/2900Hz @ 7Hz | 1 0 1 0 0 | Tone 7 | Tone 5 |
| Tone 7 | Sweeping 2400/2900Hz @ 1Hz | 0 1 1 0 0 | Tone 10 | Tone 5 |
| Tone 8 | Siren 500/1200/500Hz @ 0.3Hz | 1 1 1 0 0 | Tone 2 | Tone 5 |
| Tone 9 | Sawtooth 1200/500Hz @ 1Hz - <i>D.I.N.</i> | 0 0 0 1 0 | Tone 15 | Tone 2 |
| Tone 10 | Alternating 2400/2900Hz @ 2Hz | 1 0 0 1 0 | Tone 7 | Tone 5 |
| Tone 11 | Intermittent 1000Hz @ 1Hz | 0 1 0 1 0 | Tone 2 | Tone 5 |
| Tone 12 | Alternating 800/1000Hz @ 0.875Hz | 1 1 0 1 0 | Tone 4 | Tone 5 |
| Tone 13 | Intermittent 2400Hz @ 1Hz | 0 0 1 1 0 | Tone 15 | Tone 5 |
| Tone 14 | Intermittent 800Hz 0.25s ON, 1s OFF | 1 0 1 1 0 | Tone 4 | Tone 5 |
| Tone 15 | Continuous 800Hz | 0 1 1 1 0 | Tone 2 | Tone 5 |
| Tone 16 | Intermittent 660Hz 150Ns ON, 150ms OFF | 1 1 1 1 0 | Tone 18 | Tone 5 |
| Tone 17 | Alternating 544Hz (100ms) / 440Hz (400ms) – <i>NFS 32-001</i> | 0 0 0 0 1 | Tone 2 | Tone 27 |
| Tone 18 | Intermittent 660Hz 1.8s ON, 1.8s OFF | 1 0 0 0 1 | Tone 2 | Tone 5 |
| Tone 19 | Sweep 1400Hz to 1600Hz up 1s 1600Hz to 1400Hz down 0.5s | 0 1 0 0 1 | Tone 2 | Tone 5 |
| Tone 20 | Continuous 660Hz | 1 1 0 0 1 | Tone 2 | Tone 5 |
| Tone 21 | Alternating 554/440Hz @ 1Hz | 0 0 1 0 1 | Tone 2 | Tone 5 |
| Tone 22 | Intermittent 544Hz @ 0.875Hz | 1 0 1 0 1 | Tone 2 | Tone 5 |
| Tone 23 | Intermittent 800Hz @ 2Hz | 0 1 1 0 1 | Tone 6 | Tone 5 |
| Tone 24 | Sweeping 800/1000Hz @ 50Hz | 1 1 1 0 1 | Tone 29 | Tone 5 |
| Tone 25 | Sweeping 2400/2900Hz @ 50Hz | 0 0 0 1 1 | Tone 29 | Tone 5 |
| Tone 26 | Simulated bell | 1 0 0 1 1 | Tone 2 | Tone 15 |
| Tone 27 | Continuous 554Hz | 0 1 0 1 1 | Tone 26 | Tone 5 |
| Tone 28 | Continuous 440Hz | 1 1 0 1 1 | Tone 2 | Tone 5 |
| Tone 29 | Sweeping 800/1000Hz @ 7Hz | 0 0 1 1 1 | Tone 7 | Tone 5 |
| Tone 30 | Continuous 300Hz | 1 0 1 1 1 | Tone 2 | Tone 5 |
| Tone 31 | Sweeping 660/1200 @ 1Hz | 0 1 1 1 1 | Tone 26 | Tone 5 |
| Tone 32 | Two Tone Chime | 1 1 1 1 1 | Tone 26 | Tone 15 |
| Tone 33 | Intermittent 745Hz | 0 0 0 0 1 | Tone 2 | Tone 5 |
| Tone 34 | Alternating 1000/2000Hz @ 0.5s – <i>Singapore</i> | 1 0 0 0 1 | Tone 38 | Tone 45 |
| Tone 35 | 420Hz @ 0.625s - <i>Australian Alert</i> | 0 1 0 0 1 | Tone 36 | Tone 5 |
| Tone 36 | 500-1200Hz 3.75s / 0.25s - <i>Australian Evacuate</i> | 1 1 0 0 1 | Tone 35 | Tone 5 |
| Tone 37 | Continuous 1000Hz | 0 0 1 0 1 | Tone 9 | Tone 45 |
| Tone 38 | Continuous 2000Hz | 1 0 1 0 1 | Tone 34 | Tone 45 |
| Tone 39 | Intermittent 800Hz 0.25s ON 1s OFF | 0 1 1 0 1 | Tone 23 | Tone 17 |
| Tone 40 | Alternating 544Hz (100ms) / 440Hz (400ms) – <i>NFS 32-001</i> | 1 1 1 0 1 | Tone 31 | Tone 27 |
| Tone 41 | Motor Siren – Slow rise to 1200Hz | 0 0 0 1 0 | Tone 2 | Tone 5 |
| Tone 42 | Motor Siren – Slow rise to 800Hz | 1 0 0 1 0 | Tone 2 | Tone 5 |
| Tone 43 | Continuous 1200Hz | 0 1 0 1 0 | Tone 2 | Tone 5 |
| Tone 44 | Motor Siren – Slow rise to 2400Hz | 1 1 0 1 0 | Tone 2 | Tone 5 |
| Tone 45 | Intermittent 1000Hz 1s ON, 1s OFF | 0 0 1 1 0 | Tone 38 | Tone 34 |
| Tone 46 | Sawtooth 1200/500Hz @ 1Hz - <i>D.I.N. (PFEER P.T.A.P)</i> | 1 0 1 1 0 | Tone 47 | Tone 37 |
| Tone 47 | Intermittent 1000Hz 1s ON, 1s OFF – <i>PFEER General Alarm</i> | 0 1 1 1 0 | Tone 46 | Tone 37 |
| Tone 48 | 420Hz @ 0.625s - <i>Australian Alert</i> | 1 1 1 1 0 | Tone 49 | Tone 5 |
| Tone 49 | 500-1200Hz 3.75s / 0.25s - <i>Australian Evacuate</i> | 0 0 0 0 1 | Tone 26 | Tone 37 |

4.5 Other intrinsic safety certifications

Please contact European Safety Systems Ltd. for details of non-European intrinsic safety approvals.

5) Installation

IS-mA1M minialarm sounders should only be installed by trained competent personnel.

5.1 Mounting

The IS-mA1M minialarm sounder may be secured to any flat surface by inserting two mounting screws through the back of the round base (see figure 3). The enclosure provides IP65 protection and is suitable for installation in exterior locations provided that the area around the two mounting screws through the back of the base moulding has been sealed and that suitable cable glands with the required IP rating have been used.

5.2 Installation procedure

- Unscrew the sounder unit security screw and remove the sounder section from the base by turning it anti-clockwise. Ensure that the 'O' ring seal remains in place.
- Remove the required 20mm knockout section(s) depending on system wiring and mount the base to a flat surface by inserting two screws through the back of the base.
- Fit the required number of 20mm cable glands or conduit entries into the base and connect the field wiring to the appropriate sounder terminals as shown in section 6 and fig 2 of this manual. The power supply terminals + and - are duplicated so that sounders may be connected in parallel, or an end of line monitoring resistor may be fitted.
- Select the required output tone by positioning the six switches as shown in Table 1 and Fig 2.
- Apply power to the sounder and adjust the internal volume control to provide the required sound level.
- Check that the 'O' ring seal is correctly located on the sounder section (see Fig. 2) and insert the sounder section into the base. Push it fully home and turn it clockwise to align the mouldings before tightening the security screw.

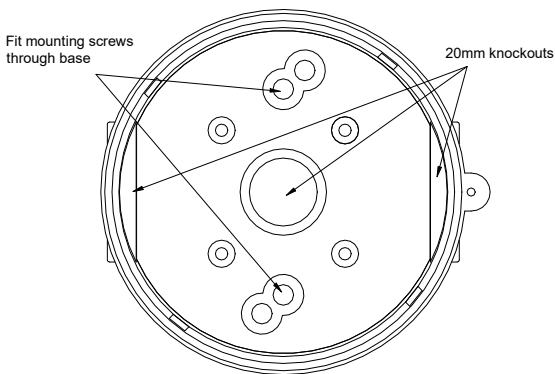


Fig 3 Mounting Sounder Base.

6) Electrical System Design For Installation In Hazardous Areas Using Zener Barriers

6.1 Single stage alarm

If the control switch is in the positive supply, or the power supply is being turned on and off, only a single channel Zener barrier is required as shown in Fig 4. This circuit may also be used if the sounder is being controlled by a mechanically activated switch on the hazardous area side of the barrier.

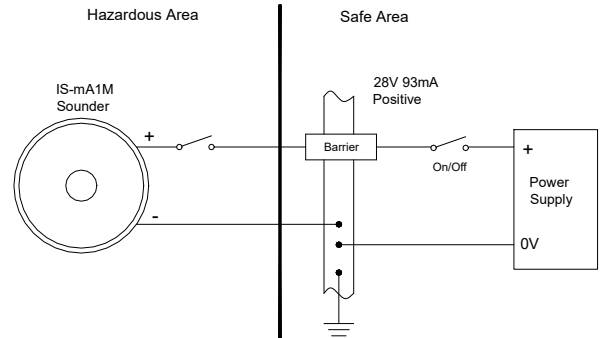


Fig 4 Single stage alarm using single channel barrier.

If the control switch must be in the negative supply, the circuit shown in Fig 5 may be used. Any diode return barrier certified Ex ia by a EC Notified Body may be used, providing its voltage drop is less than 0.9V.

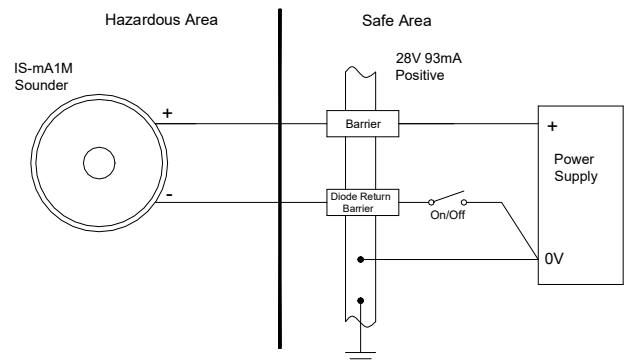


Fig 5 Single stage alarm using two channel barrier.

6.2 Multi-stage alarm

Connecting terminal S2 to 0V activates the second stage alarm, and similarly terminal S3 for the third stage alarm. Fig 6 shows how the diode return barriers may be used. If only two stages of alarm are required the third stage barrier should be omitted, the 28V 93mA barrier and the single diode return channel may then be contained in one package.

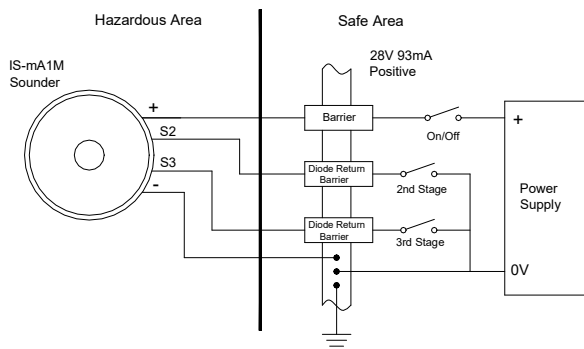


Fig 6 Multi stage alarm using Zener barriers.

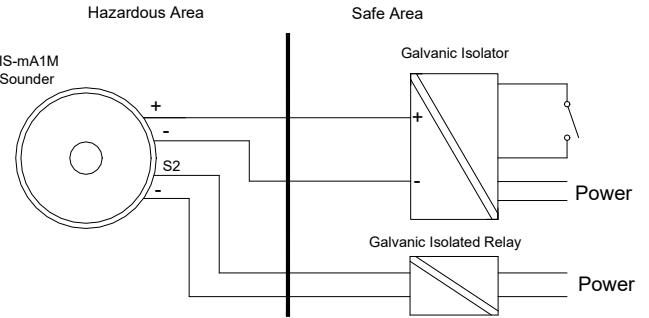


Fig 8 Multi stage alarm using galvanic isolated relays

7) Electrical System Design For Installation In Hazardous Areas Using Galvanic Isolators

Galvanic isolators do not require a high integrity earth connection. For small systems where a high integrity earth is not already available, the use of galvanic isolators often reduces the overall installation cost and simplifies design.

7.1 Single stage alarm

The IS-mA1M minialarm sounder may be powered by any galvanic isolator having output parameters within the limits specified in section 4.3, which has been certified Ex ia by an EC Notified Body. The sounder may be controlled by turning the galvanic isolator on and off, or by a mechanically activated switch on the hazardous area side of the isolator.

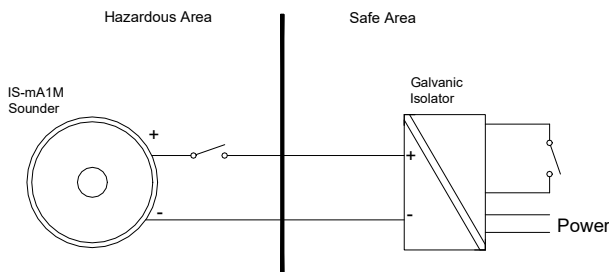


Fig 7 Single stage alarm using galvanic isolator.

7.2 Multi stage alarm

The IS-mA1M sounder second and third stages may be activated by using Galvanically Isolated Relays that have output parameters within the limits specified in section 4.4, which have been certified Ex ia by an EC Notified Body.

8) Cable Parameters

The maximum permitted cable parameters are as specified on the certificate of the Zener barrier or galvanic isolator that has been selected for the installation. Normally the limits are not restrictive, but care should be taken not to exceed a capacitive limit of 83nF for installations when very long cables are used.

9) Volume Control

The output level of the IS-mA1M sounder can be set by adjusting the volume control potentiometer (see Fig 2).

10) Maintenance

The sounder should be regularly inspected to ensure that it has not been damaged. Frequency of inspection depends upon environmental conditions, but initially we recommend that this should be done annually.

No attempt should be made to repair a faulty ISmA1M sounder. Suspect sounders must be returned to European Safety Systems Ltd. or to your local agent for repair.

11) Guarantee

Sounders that fail within the guarantee period should be returned to European safety Systems Ltd. It is helpful if a brief description of the fault symptoms is provided.

12) Customer Comments

European Safety Systems Ltd. is always pleased to receive comments from customers about our products and services. All communications are acknowledged and whenever possible, suggestions are implemented.

IECEX Approval

The IS-mA1M Sounder has also been approved to the IECEx scheme.

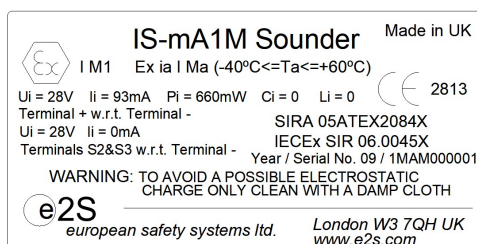
The installation requirements for IS-mA1M sounders approved to the IECEx scheme are the same as the installation requirements for IS-mA1M sounders approved to the ATEX directive.

Certificate No. IECEx SIR 06.0045X
Marking: Ex ia I Ma (-40°C ≤ Ta ≤ +60°C)
Standards: IEC 60079-0:2017
IEC 60079-11:2011
IEC 60079-26:2014-10

CONDITIONS OF CERTIFICATION (as stated on the IECEx Certificate of Conformity IECEx SIR 06.0045X)

- The equipment has an ingress protection rating of IP65. However, if it has been supplied without cable entry devices, then the user shall ensure that the devices that are fitted will provide an ingress protection that is appropriate to the environment in which it is installed i.e. IP20 or better. If only one of the two cable entries are used, then the unused entry 'knockout' shall be left intact or fitted with a blanking device that ensures ingress protection appropriate to the environment in which it is installed i.e. IP20 or better
- The total capacitance connected to Terminal + w.r.t. – (i.e. the capacitance of the cable plus any other capacitance) shall not exceed 83 nF.
- The enclosure is non-conducting and may generate an ignition-capable level of electrostatic charges under certain extreme condition. The user should ensure that the equipment is not installed in a location where it may be subjected to external conditions that might cause a build-up of electrostatic charges on non-conducting surfaces, additionally, cleaning of the equipment should be done only with a damp cloth.
- The equipment shall only be supplied via Terminals + w.r.t. Terminal – from a barrier having a maximum open circuit voltage U_0 that is ≤28 V and a maximum short circuit current I_0 that is ≤93 mA, where I_0 is resistively limited. The barrier shall be ATEX certified by a notified body.

The IS-mA1 sounders are marked with the certification requirements for the ATEX and IECEx and approvals.



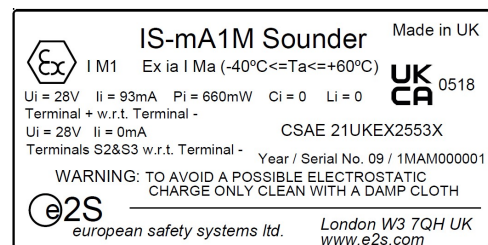
UKEX Approval

The IS-mA1M Sounder has also been approved to the UKEX scheme.

The installation requirements for IS-mA1M sounders approved to the UKEX scheme are the same as the installation requirements for IS-mA1M sounders approved to the ATEX directive.

Certificate No. CSAE 21UKEX2553X
Marking: Ex ia I Ma (-40°C ≤ Ta ≤ +60°C)
Standards: EN IEC 60079-0:2018
EN60079-11:2012
EN60079-26:2014 Ed 3.0

The IS-mA1M sounders are marked with the certification requirements for the UKEX approval.



EU Declaration of Conformity



Manufacturer: European Safety Systems Ltd.
Impress House, Mansell Road, Acton
London, W3 7QH
United Kingdom

Authorised Representative: E2S Warnsignaltechnik UG
Charlottenstrasse 45-51
72764 Reutlingen
Germany

Equipment Type: IS-mA1, IS-mA2, IS-mA3, IS-mB1, IS-mC1, IS-mA1M

Directive 2014/34/EU: Equipment and Protective Systems for use in Potentially Explosive Atmospheres (ATEX)

| | |
|---|--|
| Notified Body for EU type Examination (Module B): | Sira Certification Service Notified Body No.: 2813 CSA Group Netherlands B.V, Utrechtseweg 310, 6812 AR, Arnhem, Netherlands |
| EU-type Examination Certificate (Module B): | SIRA 05ATEX2084X |
| Notified Body for Quality Assurance Notification / Conformity to EU-type based on quality assurance of the production process (Module D): | Sira Certification Service Notified Body No.: 2813 CSA Group Netherlands B.V, Utrechtseweg 310, 6812 AR, Arnhem, Netherlands |
| Quality Assurance Notification (Module D): | SIRA 05 ATEX M342 |
| Provisions fulfilled by the equipment: | II 1 G Ex ia IIC T4 Ga (-40 °C ≤ Ta ≤ +60 °C) or I M1 Ex ia I Ma (-40 °C ≤ Ta ≤ +60 °C) |
| Standards applied: | EN IEC 60079-0:2018 EN 60079-11:2012 IEC 60079-26:2014 |

Regulation EU No. 305/2011: Construction Products Regulation (CPR) – IS-mA1 (tones 2, 3, 9, 15, 16, 17) only

| | |
|--|---|
| Notified Product Certification Body for Certificate of Constancy of Performance or EC Type Examination Certificate and continuous surveillance, assessment and evaluation of factory production control: | VdS Schadensverhütung GmbH Notified Body No.: 0786 Amsterdamer Str 172-174, 50735 Köln, Germany |
| Certificate of Constancy of Performance or EC Type Examination Certificate: | 0786-CPD-20338 |
| Standards applied: | EN 54-3:2001 + A1:2002 + A2:2006 |

Directive 2014/30/EU: Electromagnetic Compatibility Directive (EMC)

| | |
|--------------------|--|
| Standards applied: | EN 61000-6-1:2007 EN 61000-6-2:2005 EN 61000-6-3:2007 / A1:2011 / AC: 2012 EN 61000-6-4:2007 / A1: 2011 |
|--------------------|--|

Directive 2011/65/EU: Restriction of the use of certain hazardous substances in electrical and electronic equipment (RoHS)

The product and all the components contained within it are in accordance with the restriction of the use of hazardous substances in electrical and electronic equipment, including amendment by Directive 2015/863/EU.

Regulation (EC) 1907/2006: Registration, Evaluation, Authorisation and Restriction of Chemicals (REACH)

The product and all the components contained within it are free from substances of very high concern.

Other Standards and Regulations

EN 60529:1992+A2:2013 - Degrees of protection provided by enclosures (IP code) – enclosure rated IP65

EU Declaration of Conformity



On behalf of European Safety Systems Ltd., I declare that, on the date the equipment accompanied by this declaration is placed on the market, the equipment conforms with all technical and regulatory requirements of the above listed directives, regulations and standards.

This Declaration is issued under the sole responsibility of the manufacturer.

A handwritten signature in black ink, appearing to read 'Martin Streetz'.

Martin Streetz
Quality Assurance Manager

Document No.: DC-011_Issue_J
Date and Place of Issue: London, 23/12/2020



UKCA Declaration of Conformity



Manufacturer: European Safety Systems Ltd.
Impress House, Mansell Road, Acton
London, W3 7QH
United Kingdom

Equipment Type: IS-mA1, IS-mA2, IS-mA3, IS-mB1, IS-mC1, IS-mA1M

Directive UKSI 2016:1107 (as amended by UKSI 2019:696) – Schedule 3A, Part 1 : Product or Protective System Intended for use in Potentially Explosive Atmospheres (UKCA)

| | |
|---|--|
| Notified Body for UK type Examination (Module B): | Sira Certification Service Notified Body No.: 0518 Rake Lane, Eccleston, Chester CH4 9JN, UK |
| UK-type Examination Certificate (Module B): | CSAE 21UKEX2553X |
| Notified Body for Quality Assurance Notification / Conformity to EU-type based on quality assurance of the production process (Module D): | Sira Certification Service Notified Body No.: 0518 Rake Lane, Eccleston, Chester CH4 9JN, UK |
| Quality Assurance Notification (Module D): | CSAE 22UKQAN0046 |
| Provisions fulfilled by the equipment: | II 1 G Ex ia IIC T4 Ga (-40 °C ≤ Ta ≤ +60 °C) or I M1 Ex ia I Ma (-40 °C ≤ Ta ≤ +60 °C) |
| Standards applied: | EN IEC 60079-0:2018 EN 60079-11:2012 IEC 60079-26:2014 |

Regulation EU No. 305/2011: Construction Products Regulation (CPR) – IS-mA1 (tones 2, 3, 9, 15, 16, 17) only

| | |
|--|---|
| Notified Product Certification Body for Certificate of Constancy of Performance or EC Type Examination Certificate and continuous surveillance, assessment and evaluation of factory production control: | VdS Schadensverhütung GmbH Notified Body No.: 0786 Amsterdamer Str 172-174, 50735 Köln, Germany |
| Certificate of Constancy of Performance or EC Type Examination Certificate: | 0786-CPD-20338 |
| Standards applied: | EN 54-3:2001 + A1:2002 + A2:2006 |

Directive 2014/30/EU: Electromagnetic Compatibility Directive (EMC)

| | |
|--------------------|--|
| Standards applied: | EN 61000-6-1:2007 EN 61000-6-2:2005 EN 61000-6-3:2007 / A1:2011 / AC: 2012 EN 61000-6-4:2007 / A1: 2011 |
|--------------------|--|

Directive 2011/65/EU: Restriction of the use of certain hazardous substances in electrical and electronic equipment (RoHS)

The product and all the components contained within it are in accordance with the restriction of the use of hazardous substances in electrical and electronic equipment, including amendment by Directive 2015/863/EU.

Regulation (EC) 1907/2006: Registration, Evaluation, Authorisation and Restriction of Chemicals (REACH)

The product and all the components contained within it are free from substances of very high concern.

Other Standards and Regulations

EN 60529:1992+A2:2013 - Degrees of protection provided by enclosures (IP code) – enclosure rated IP65



UKCA Declaration of Conformity



On behalf of European Safety Systems Ltd., I declare that, on the date the equipment accompanied by this declaration is placed on the market, the equipment conforms with all technical and regulatory requirements of the above listed directives, regulations and standards.

This Declaration is issued under the sole responsibility of the manufacturer.

Martin Streetz
Quality Assurance Manager

Document No.: DC-088_Issue_A
Date and Place of Issue: London, 04/02/2022