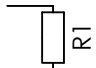
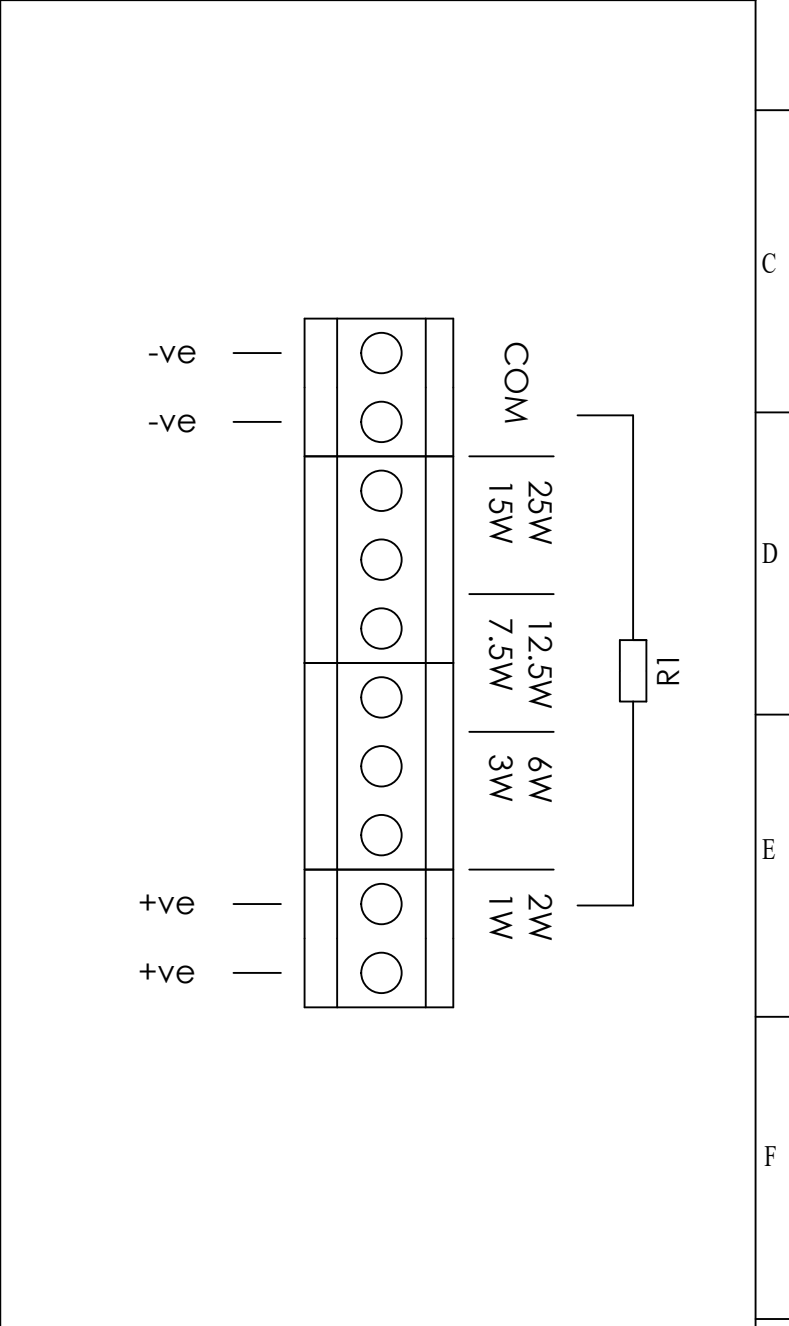
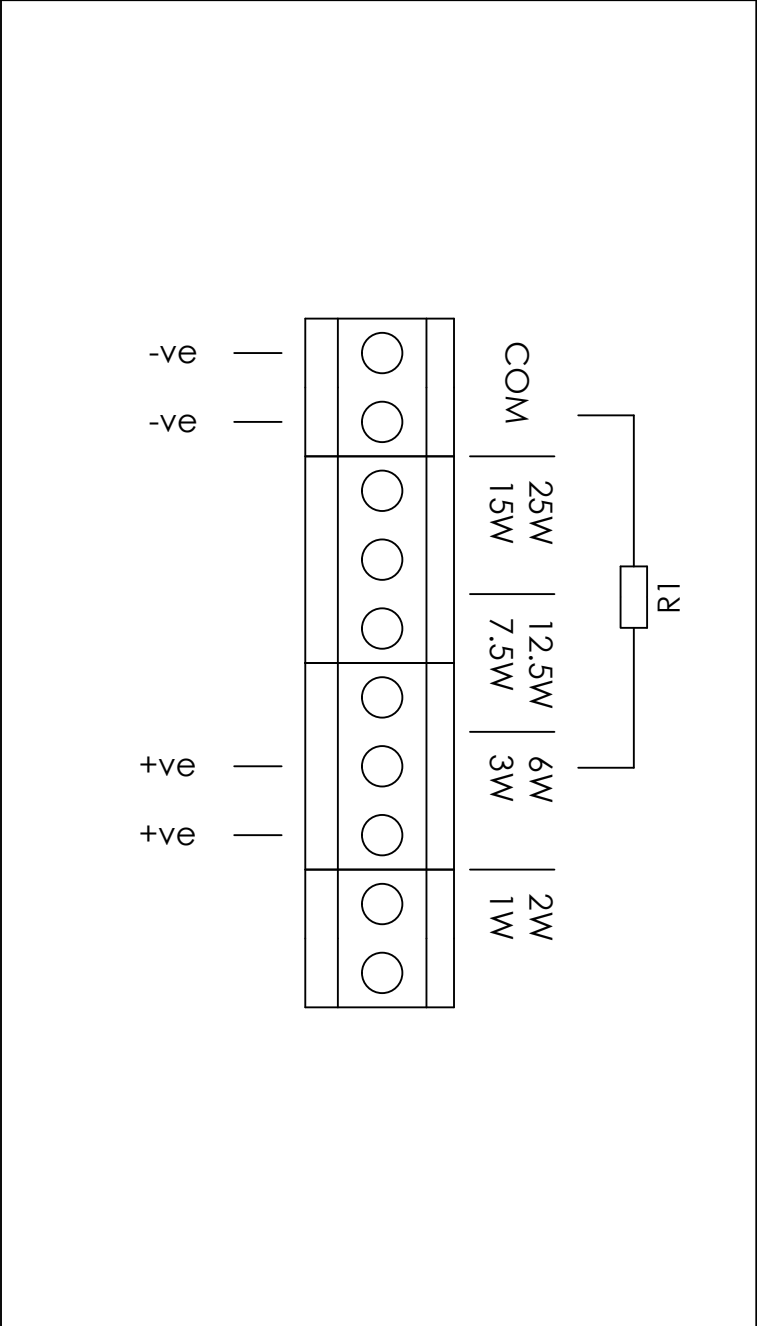
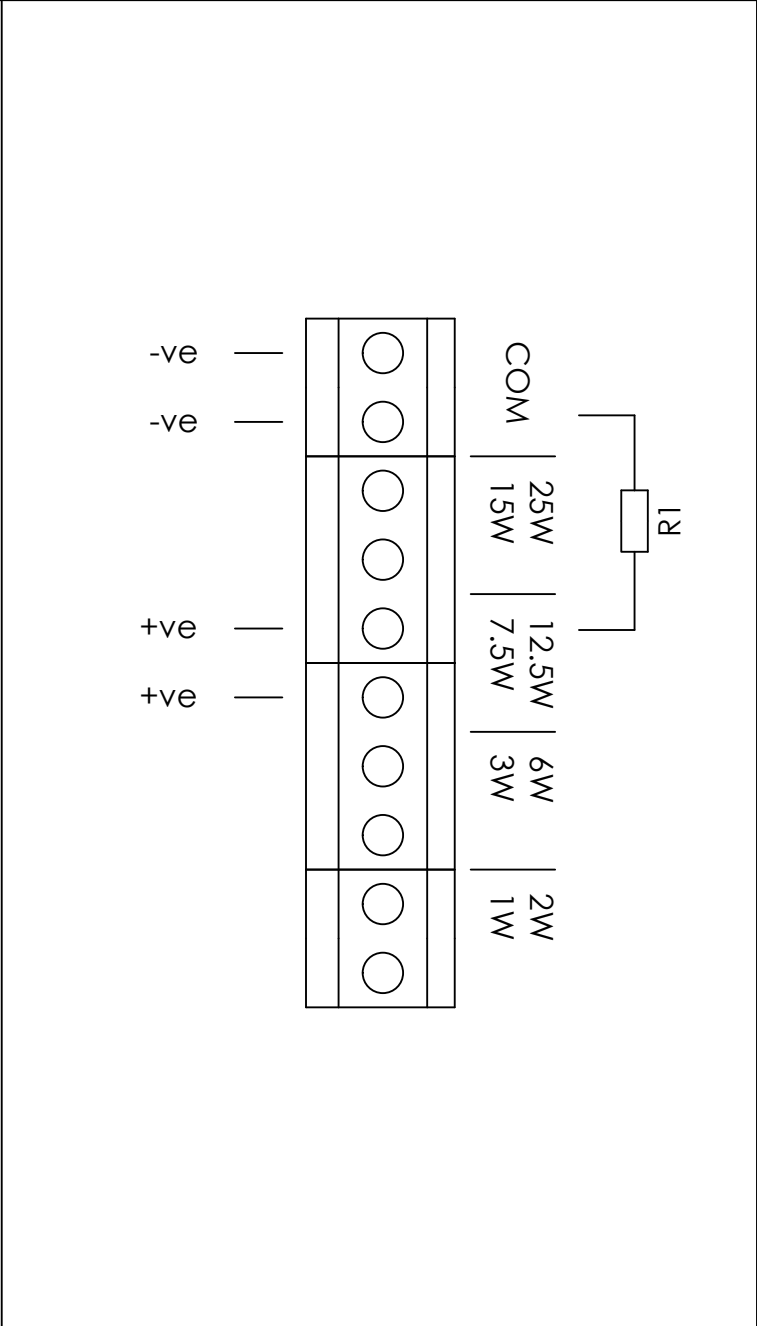
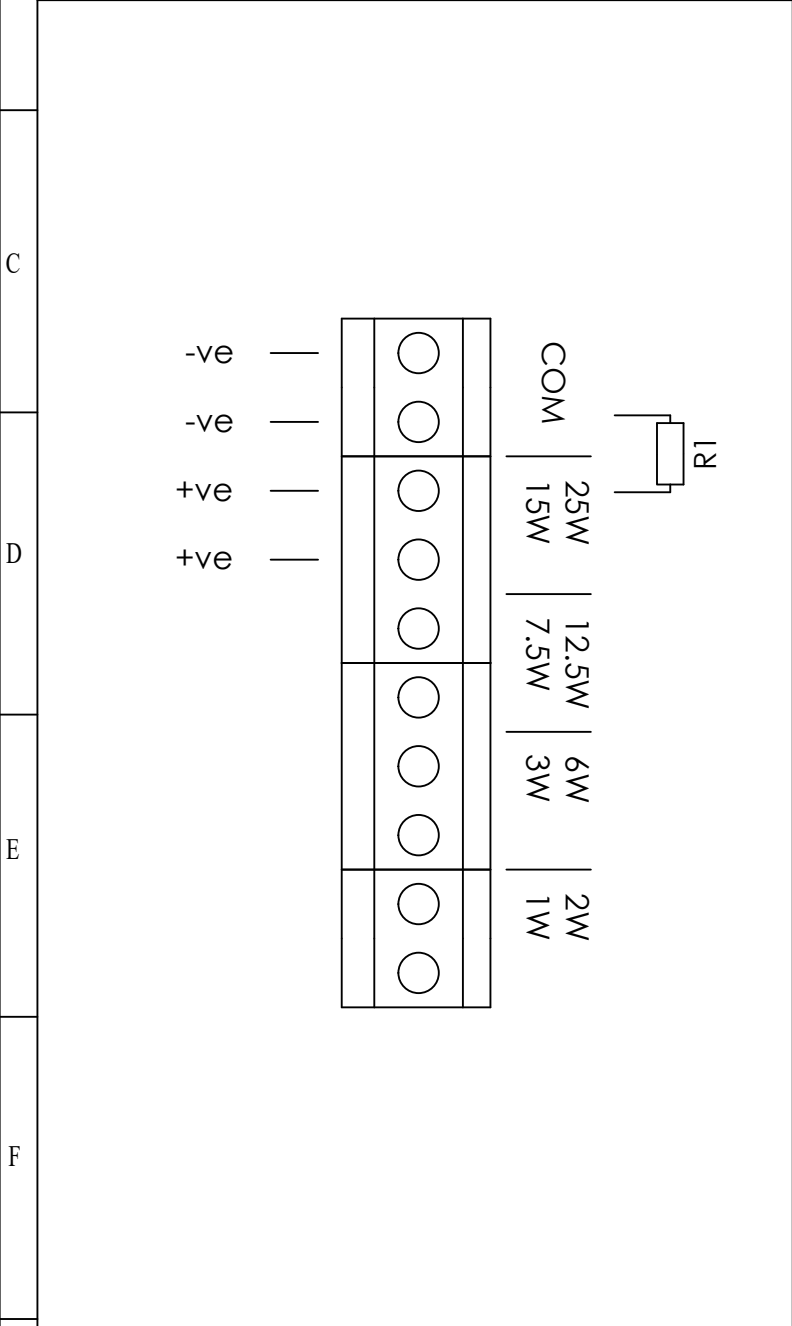



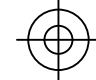
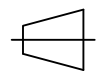
| | | | | | | | | | |
|---|---|---|---|---|---|---|-------|---------|--------------------------------|
| 1 | 2 | 3 | 4 | 5 | 6 | 7 | 8 | 9 | 10 |
| | | | | | | | ISSUE | MOD No. | REASON - INITIAL - DATE |
| | | | | | | | 1 | | INTRODUCTION RSR 12/10/2023 |

OPTIONAL LINE MONITORING RESISTOR, CUSTOMER SUPPLIED,
MINIMUM VALUE:
15KΩ MIN, 0.5W MIN OR 3K9Ω MIN, 2.0W MIN



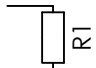
| | | | | | | | |
|-----------------------------------|-------------|-------------------------------------|-------------|---------------------------------|-------------|---------------------------------|-------------|
| D2xL1V100 Line in | Config.: 1a | D2xL1V100 Line in | Config.: 1b | D2xL1V100 Line in | Config.: 1c | D2xL1V100 Line in | Config.: 1d |
| Optional Line Monitoring | | Optional Line Monitoring | | Optional Line Monitoring | | Optional Line Monitoring | |
| 15W: Apply Signal to Common & 15W | | 7.5W: Apply Signal to Common & 7.5W | | 3W: Apply Signal to Common & 3W | | 1W: Apply Signal to Common & 1W | |



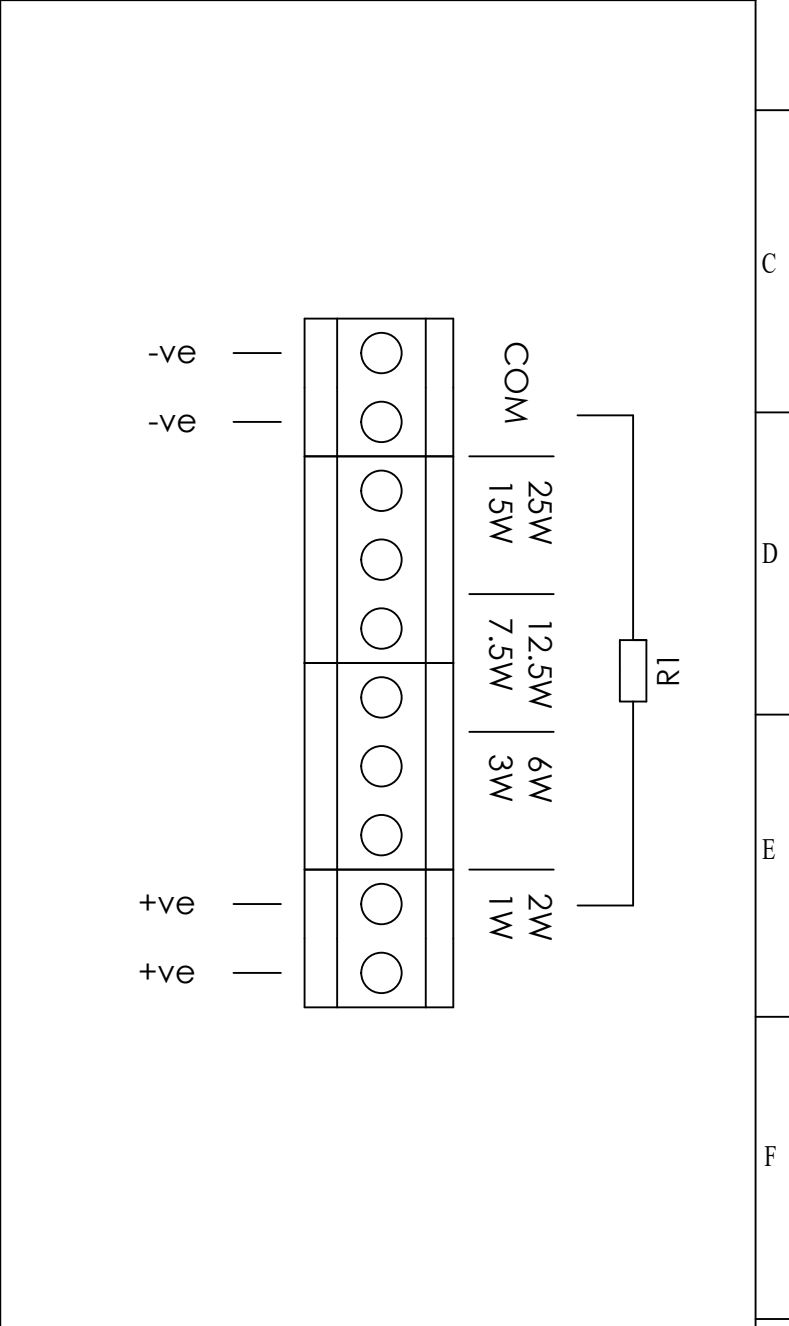
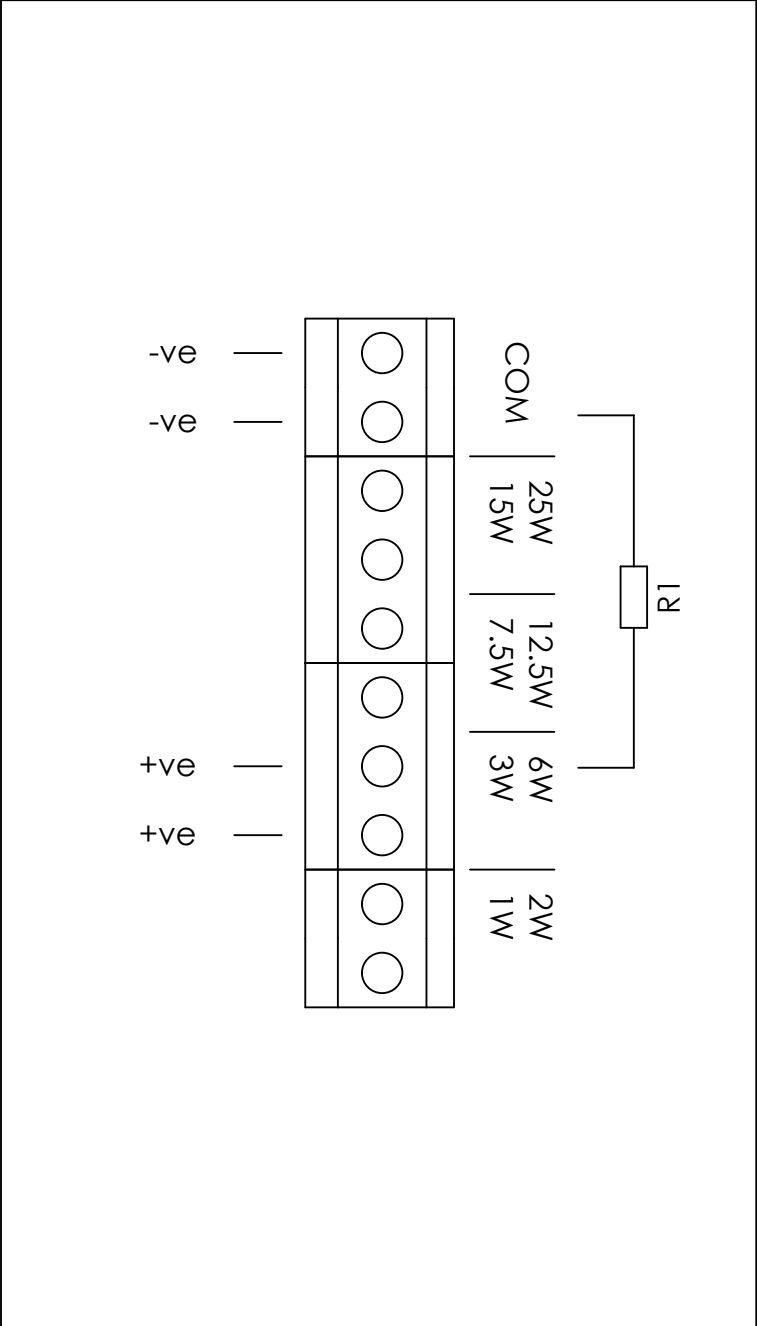
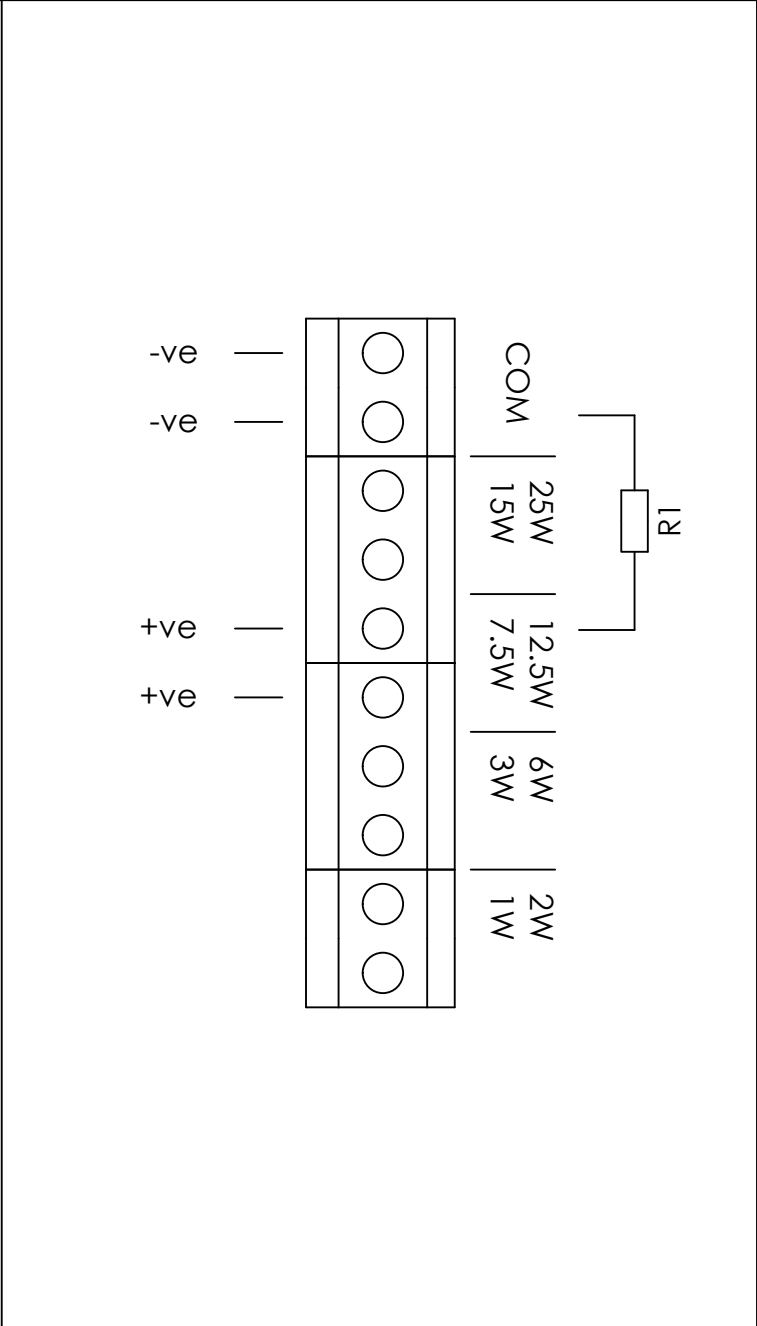
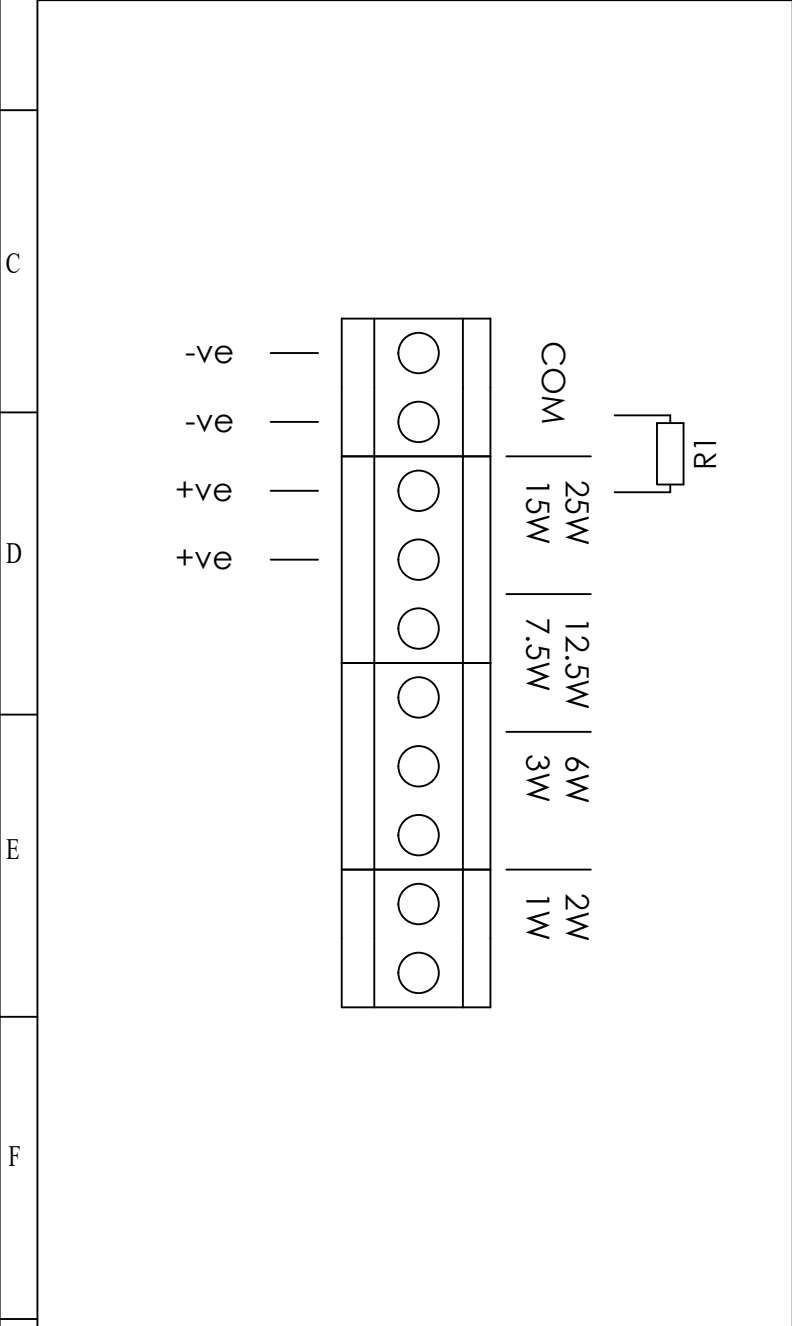
| | | | | | | | | | | |
|---|-----------|----------|----------------|-------------|---|--|--|---|---|----------------|
| DRAWING TO BS8888:2000 GEOMETRIC TOLERANCES TO ISO1101:1983 LINEAR DIMENSIONAL TOLS ANGULAR DIMENSIONAL TOLS | DRAWN | DATE | SURFACE FINISH | WEIGHT (Kg) | THIS DRAWING AND ANY INFORMATION OR DESCRIPTIVE MATTER THEREIN IS COMMUNICATED IN CONFIDENCE AND IS THE COPYRIGHT PROPERTY OF EUROPEAN SAFETY SYSTEMS LTD. NEITHER THE WHOLE OR ANY EXTRACT MAY BE DISCLOSED, LOANED, COPIED OR USED FOR MANUFACTURING OR TENDERING PURPOSES WITHOUT THEIR WRITTEN CONSENT. |  EUROPEAN SAFETY SYSTEMS LTD IMPRESS HOUSE MANSELL ROAD ACTON LONDON W3 7QH WWW.E2S.COM | ALL DIMENSIONS IN MM |  |  | A3 |
| | CHECKED | DATE | | | | | TITLE D2xL1 & D2xL2 LINE IN & LOW IMPEDANCE LOUDSPEAKER WIRING DIAGRAMS | | | |
| | APPROVED | DATE | | | | | ALTERNATIVE MATERIAL | SCALE | SHEET | DRAWING NUMBER |
| STANDARDS D2xL1 D2xL2 | R.N.POTTS | 18/11/20 | | | © EUROPEAN SAFETY SYSTEMS LTD. AS PER LATEST DATE OF ISSUE SHOWN ABOVE | | NTS | 1 OF 5 | D252-06-201 | |


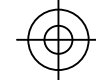
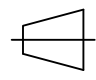
| | | | | | | | | | |
|---|---|---|---|---|---|---|-------|---------|----------------------------|
| 1 | 2 | 3 | 4 | 5 | 6 | 7 | 8 | 9 | 10 |
| | | | | | | | ISSUE | MOD No. | REASON - INITIAL - DATE |
| | | | | | | | 1 | | REVISION RSR 12/10/2023 |

OPTIONAL LINE MONITORING RESISTOR, CUSTOMER SUPPLIED,
MINIMUM VALUE:
15KΩ MIN, 0.5W MIN OR 3K9Ω MIN, 2.0W MIN



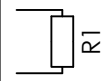
| | | | | | | | |
|-----------------------------------|-------------|---------------------------------------|-------------|---------------------------------|-------------|---------------------------------|-------------|
| D2xL2V100 Line in | Config.: 2a | D2xL2V100 Line in | Config.: 2b | D2xL2V100 Line in | Config.: 2c | D2xL2V100 Line in | Config.: 2d |
| Optional Line Monitoring | | Optional Line Monitoring | | Optional Line Monitoring | | Optional Line Monitoring | |
| 25W: Apply Signal to Common & 25W | | 12.5W: Apply Signal to Common & 12.5W | | 6W: Apply Signal to Common & 6W | | 2W: Apply Signal to Common & 2W | |



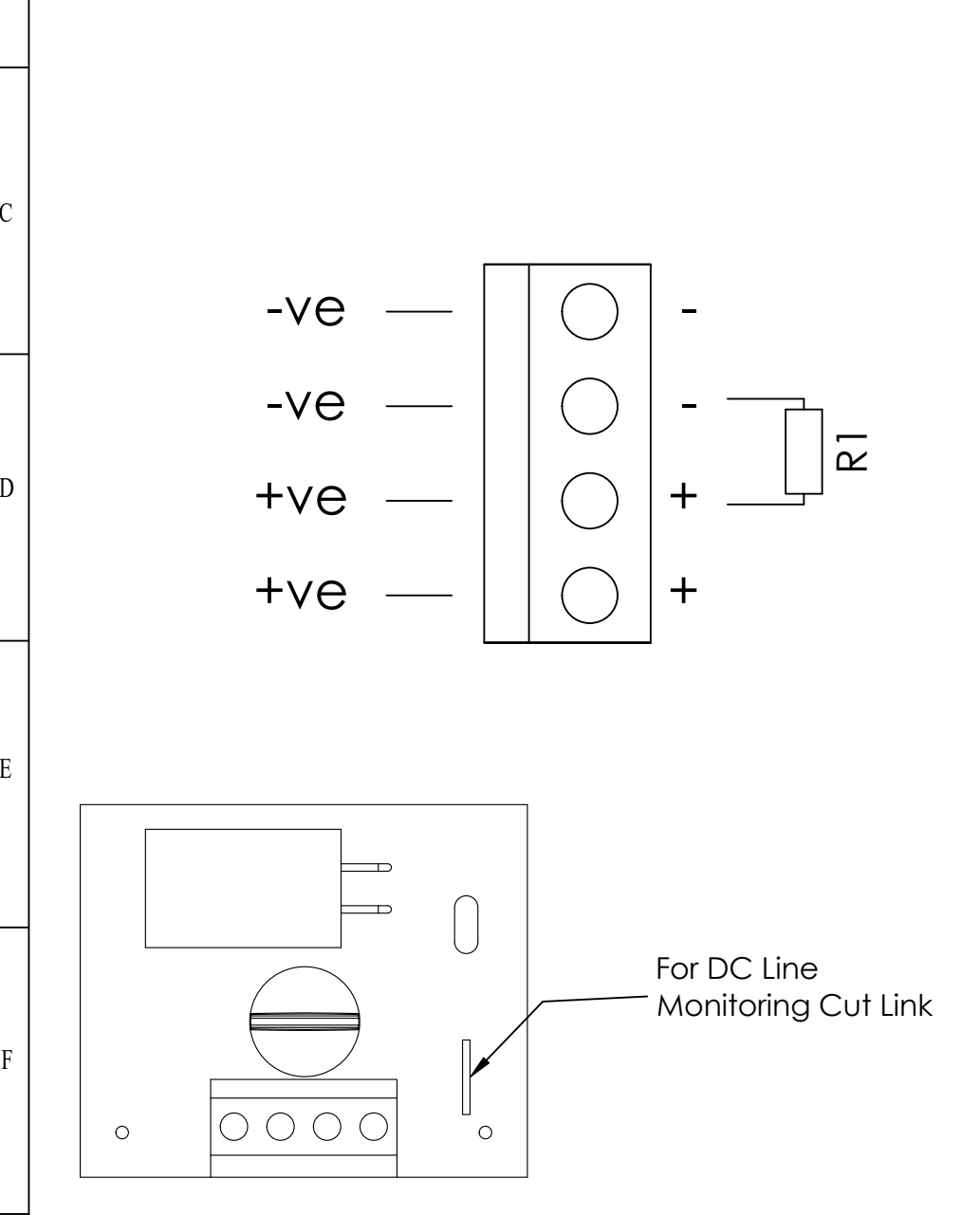
| | | | | | | | | | |
|---|-----------------------------|----------|----------------|----------------------|---|--|---|---|-------------|
| DRAWING TO BS8888:2000 GEOMETRIC TOLERANCES TO ISO1101:1983 LINEAR DIMENSIONAL TOLS ANGULAR DIMENSIONAL TOLS | DRAWN | DATE | SURFACE FINISH | WEIGHT (Kg) | THIS DRAWING AND ANY INFORMATION OR DESCRIPTIVE MATTER THEREIN IS COMMUNICATED IN CONFIDENCE AND IS THE COPYRIGHT PROPERTY OF EUROPEAN SAFETY SYSTEMS LTD. NEITHER THE WHOLE OR ANY EXTRACT MAY BE DISCLOSED, LOANED, COPIED OR USED FOR MANUFACTURING OR TENDERING PURPOSES WITHOUT THEIR WRITTEN CONSENT. |  EUROPEAN SAFETY SYSTEMS LTD IMPRESS HOUSE MANSELL ROAD ACTON LONDON W3 7QH WWW.E2S.COM | ALL DIMENSIONS IN MM |   | A3 |
| | CHECKED | DATE | | | | | MATERIAL | | |
| | STANDARDS D2xL1 D2xL2 | APPROVED | DATE | ALTERNATIVE MATERIAL | | | EUROPEAN SAFETY SYSTEMS LTD. AS PER LATEST DATE OF ISSUE SHOWN ABOVE | D2xL1 & D2xL2 LINE IN & LOW IMPEDANCE LOUDSPEAKER WIRING DIAGRAMS | SCALE |
| | R.N.POTTS | 18/11/20 | | | | | NTS | 2 OF 5 | D252-06-201 |


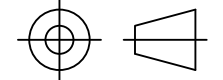
| | | | | | | | | | |
|---|---|---|---|---|---|---|-------|---------|--------------------------------|
| 1 | 2 | 3 | 4 | 5 | 6 | 7 | 8 | 9 | 10 |
| | | | | | | | ISSUE | MOD No. | REASON - INITIAL - DATE |
| | | | | | | | 1 | | INTRODUCTION RSR 12/10/2023 |

OPTIONAL LINE MONITORING RESISTOR, CUSTOMER SUPPLIED,
MINIMUM VALUES:
2KΩ MIN, 0.5W MIN OR 500Ω MIN, 2.0W MIN



D2xL1R008, D2xL1R016, D2xL2R008, D2xL2R016
Low Impedance
Optional Line Monitoring
Apply Signal to +ve & -ve



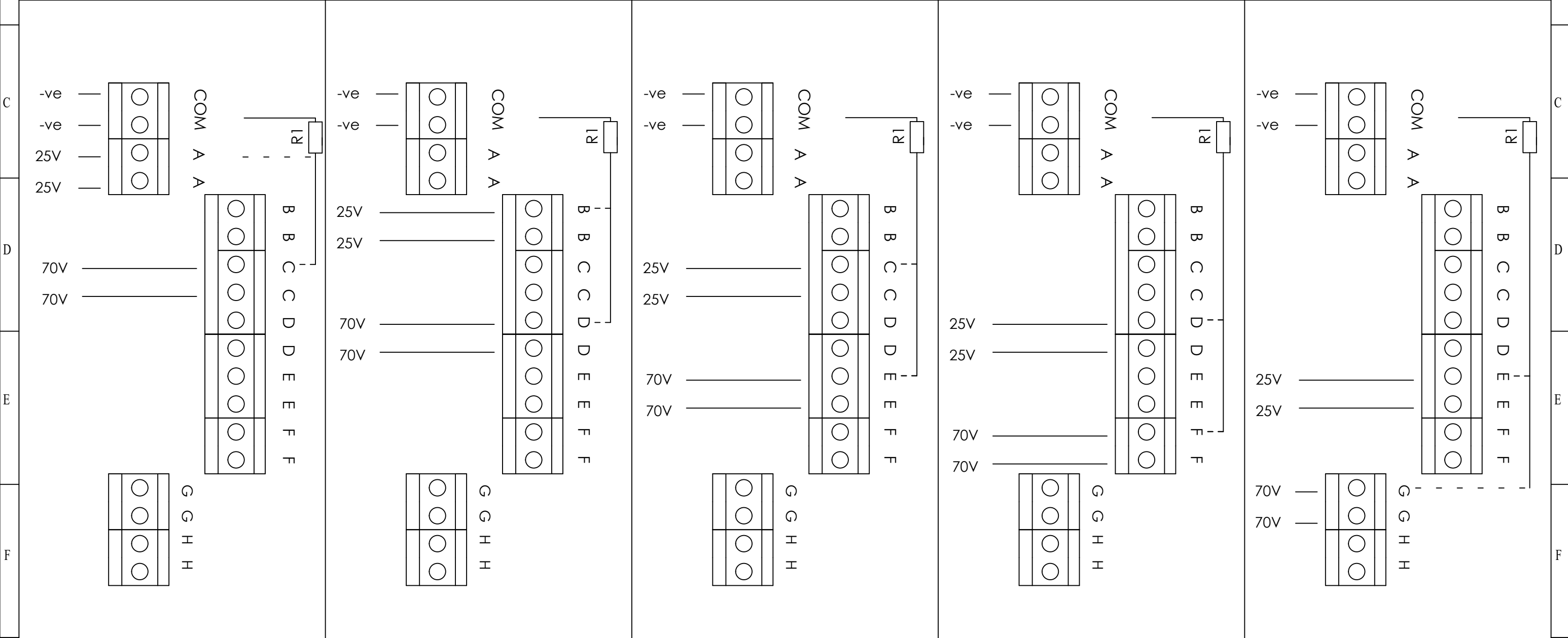
| | | | | | | | | | | |
|---|-----------------------------|----------|----------------|----------------------|---|--|---|--------------------|--|----------------|
| DRAWING TO BS8888:2000 GEOMETRIC TOLERANCES TO ISO1101:1983 LINEAR DIMENSIONAL TOLS ANGULAR DIMENSIONAL TOLS | DRAWN | DATE | SURFACE FINISH | WEIGHT (Kg) | THIS DRAWING AND ANY INFORMATION OR DESCRIPTIVE MATTER THEREIN IS COMMUNICATED IN CONFIDENCE AND IS THE COPYRIGHT PROPERTY OF EUROPEAN SAFETY SYSTEMS LTD. NEITHER THE WHOLE OR ANY EXTRACT MAY BE DISCLOSED, LOANED, COPIED OR USED FOR MANUFACTURING OR TENDERING PURPOSES WITHOUT THEIR WRITTEN CONSENT. |  EUROPEAN SAFETY SYSTEMS LTD IMPRESS HOUSE MANSELL ROAD ACTON LONDON W3 7QH WWW.E2S.COM | ALL DIMENSIONS IN MM IF IN DOUBT, ASK - DO NOT SCALE | |  | A3 |
| | CHECKED | DATE | | | | | MATERIAL | | TITLE D2xL1 & D2xL2 LINE IN & LOW IMPEDANCE LOUDSPEAKER WIRING DIAGRAMS | |
| | STANDARDS D2xL1 D2xL2 | APPROVED | DATE | ALTERNATIVE MATERIAL | | | © EUROPEAN SAFETY SYSTEMS LTD. AS PER LATEST DATE OF ISSUE SHOWN ABOVE | SCALE | SHEET | DRAWING NUMBER |
| | R.N.POTTS | 18/11/20 | | | | NTS | 3 OF 5 | D252-06-201 | | |

| | | | | | | | | | | |
|---|---|---|---|---|---|---|-------|---------|--------------------------------|--|
| 1 | 2 | 3 | 4 | 5 | 6 | 7 | 8 | 9 | 10 | |
| | | | | | | | ISSUE | MOD No. | REASON - INITIAL - DATE | |
| | | | | | | | 1 | | INTRODUCTION RSR 12/10/2023 | |

OPTIONAL LINE MONITORING RESISTOR, CUSTOMER SUPPLIED,
MINIMUM VALUE:
3K9Ω MIN, 0.5W MIN OR 1KΩ MIN, 2.0W MIN

| | | | | | | | | | |
|--------------------------|-------------|--------------------------|-------------|--------------------------|-------------|--------------------------|-------------|--------------------------|-------------|
| D2xL1V725 Line in | Config.: 4a | D2xL1V725 Line in | Config.: 4b | D2xL1V725 Line in | Config.: 4c | D2xL1V725 Line in | Config.: 4d | D2xL1V725 Line in | Config.: 4e |
| Optional Line Monitoring | | Optional Line Monitoring | | Optional Line Monitoring | | Optional Line Monitoring | | Optional Line Monitoring | |

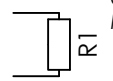
| | | | | |
|--|---|---|---|---|
| 15W: 25V: Apply Signal to Common & A 70V: Apply Signal to Common & C | 7.5W: 25V: Apply Signal to Common & B 25V: Apply Signal to Common & D | 5W: 25V: Apply Signal to Common & C 70V: Apply Signal to Common & E | 4W: 25V: Apply Signal to Common & D 70V: Apply Signal to Common & F | 2W: 25V: Apply Signal to Common & E 70V: Apply Signal to Common & G |
|--|---|---|---|---|



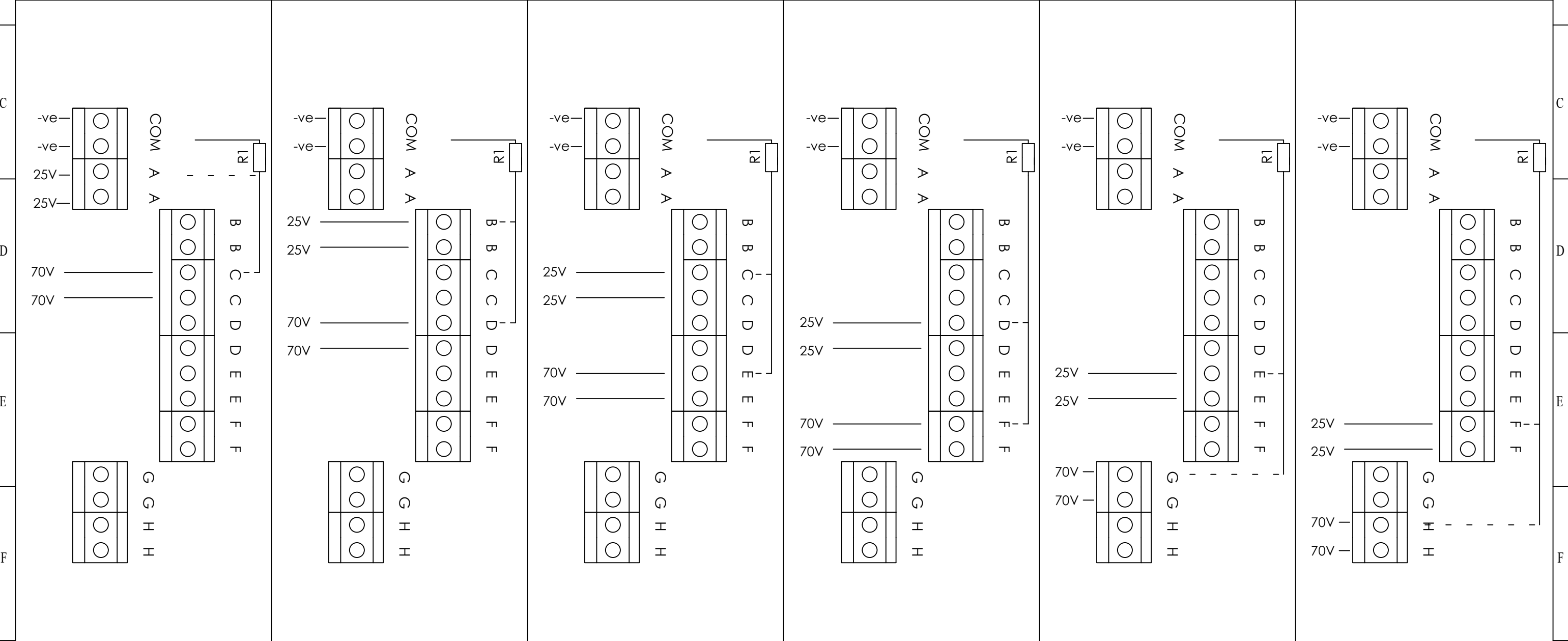
| | | | | | | | | | |
|---|-----------|----------|----------------------|-------------|---|---|--|--------|--------------------|
| DRAWING TO BS8888:2000 GEOMETRIC TOLERANCES TO ISO1101:1983 LINEAR DIMENSIONAL TOLS ANGULAR DIMENSIONAL TOLS | DRAWN | DATE | SURFACE FINISH | WEIGHT (Kg) | THIS DRAWING AND ANY INFORMATION OR DESCRIPTIVE MATTER THEREIN IS COMMUNICATED IN CONFIDENCE AND IS THE COPYRIGHT PROPERTY OF EUROPEAN SAFETY SYSTEMS LTD. NEITHER THE WHOLE OR ANY EXTRACT MAY BE DISCLOSED, LOANED, COPIED OR USED FOR MANUFACTURING OR TENDERING PURPOSES WITHOUT THEIR WRITTEN CONSENT. | EUROPEAN SAFETY SYSTEMS LTD IMPRESS HOUSE MANSELL ROAD ACTON LONDON W3 7QH WWW.E2S.COM | ALL DIMENSIONS IN MM IF IN DOUBT, ASK - DO NOT SCALE | | A3 |
| | CHECKED | DATE | | | | | TITLE D2xL1 & D2xL2 LINE IN & LOW IMPEDANCE LOUDSPEAKER WIRING DIAGRAMS | | |
| | APPROVED | DATE | | | | | SCALE | SHEET | |
| STANDARDS D2xL1 D2xL2 | R.N.POTTS | 18/11/20 | ALTERNATIVE MATERIAL | | (C) EUROPEAN SAFETY SYSTEMS LTD. AS PER LATEST DATE OF ISSUE SHOWN ABOVE | | NTS | 4 OF 5 | D252-06-201 |



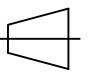
| | | |
|-------|---------|--------------------------------|
| 8 | 9 | 10 |
| ISSUE | MOD No. | REASON - INITIAL - DATE |
| 1 | | INTRODUCTION RSR 12/10/2023 |

OPTIONAL LINE MONITORING RESISTOR, CUSTOMER SUPPLIED,
MINIMUM VALUE:
3K9Ω MIN, 0.5W MIN OR 1KΩ MIN, 2.0W MIN



| | | | | | | | | | | | |
|--|-------------|--|-------------|---|-------------|---|-------------|---|-------------|---|-------------|
| D2xL2V725 Line in | Config.: 5a | D2xL2V725 Line in | Config.: 5b | D2xL2V725 Line in | Config.: 5c | D2xL2V725 Line in | Config.: 5d | D2xL2V725 Line in | Config.: 5e | D2xL2V725 Line in | Config.: 5f |
| Optional Line Monitoring | | Optional Line Monitoring | | Optional Line Monitoring | | Optional Line Monitoring | | Optional Line Monitoring | | Optional Line Monitoring | |
| 25W: 25V: Apply Signal to Common & A 70V: Apply Signal to Common & C | | 12.5W: 25V: Apply Signal to Common & B 70V: Apply Signal to Common & D | | 6W: 25V: Apply Signal to Common & C 70V: Apply Signal to Common & E | | 4W: 25V: Apply Signal to Common & D 70V: Apply Signal to Common & F | | 2W: 25V: Apply Signal to Common & E 70V: Apply Signal to Common & G | | 1W: 25V: Apply Signal to Common & F 70V: Apply Signal to Common & H | |



| | | | | | | | | | | |
|---|-----------|----------|----------------------|-------------|---|--|--|--------|---|-----------|
| DRAWING TO BS8888:2000 GEOMETRIC TOLERANCES TO ISO1101:1983 LINEAR DIMENSIONAL TOLS ANGULAR DIMENSIONAL TOLS | DRAWN | DATE | SURFACE FINISH | WEIGHT (Kg) | THIS DRAWING AND ANY INFORMATION OR DESCRIPTIVE MATTER THEREIN IS COMMUNICATED IN CONFIDENCE AND IS THE COPYRIGHT PROPERTY OF EUROPEAN SAFETY SYSTEMS LTD. NEITHER THE WHOLE OR ANY EXTRACT MAY BE DISCLOSED, LOANED, COPIED OR USED FOR MANUFACTURING OR TENDERING PURPOSES WITHOUT THEIR WRITTEN CONSENT. |  EUROPEAN SAFETY SYSTEMS LTD IMPRESS HOUSE MANSELL ROAD ACTON LONDON W3 7QH WWW.E2S.COM | ALL DIMENSIONS IN MM IF IN DOUBT, ASK - DO NOT SCALE | |   | A3 |
| | CHECKED | DATE | | | | | TITLE D2xL1 & D2xL2 LINE IN & LOW IMPEDANCE LOUDSPEAKER WIRING DIAGRAMS | | | |
| | APPROVED | DATE | | | | | SCALE | SHEET | | |
| STANDARDS D2xL1 D2xL2 | R.N.POTTS | 18/11/20 | ALTERNATIVE MATERIAL | | © EUROPEAN SAFETY SYSTEMS LTD. AS PER LATEST DATE OF ISSUE SHOWN ABOVE | | NTS | 5 OF 5 | D252-06-201 | |