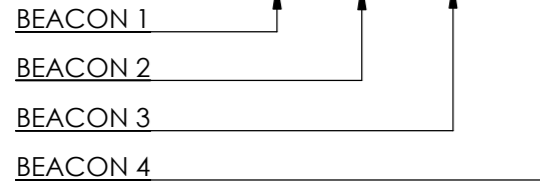
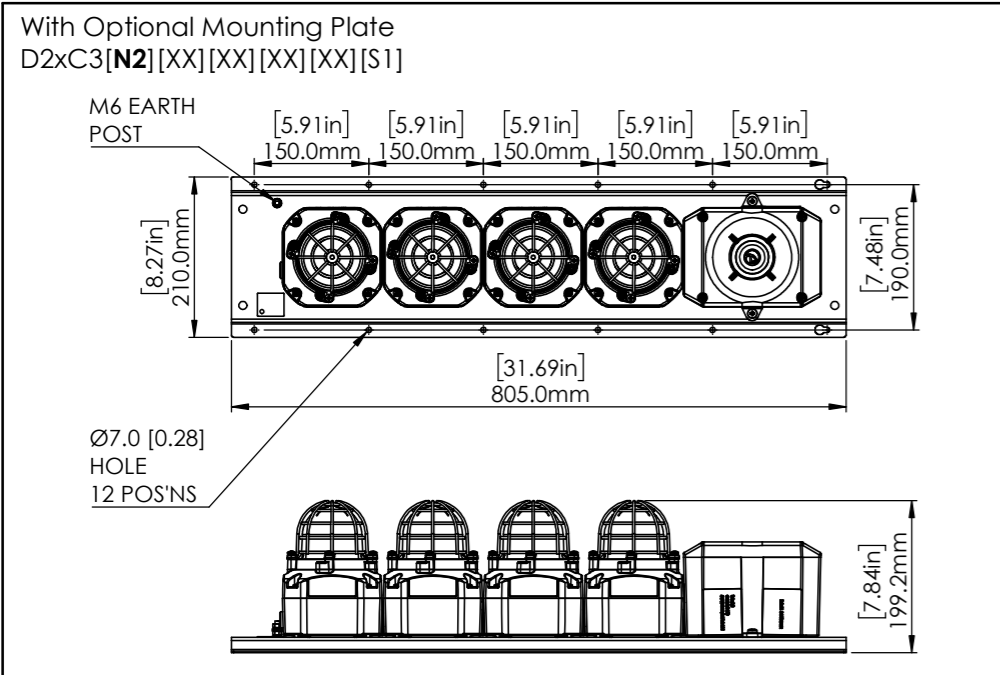


E2S PART NO
D2xC3[N1][XX][XX][XX][XX][S1]



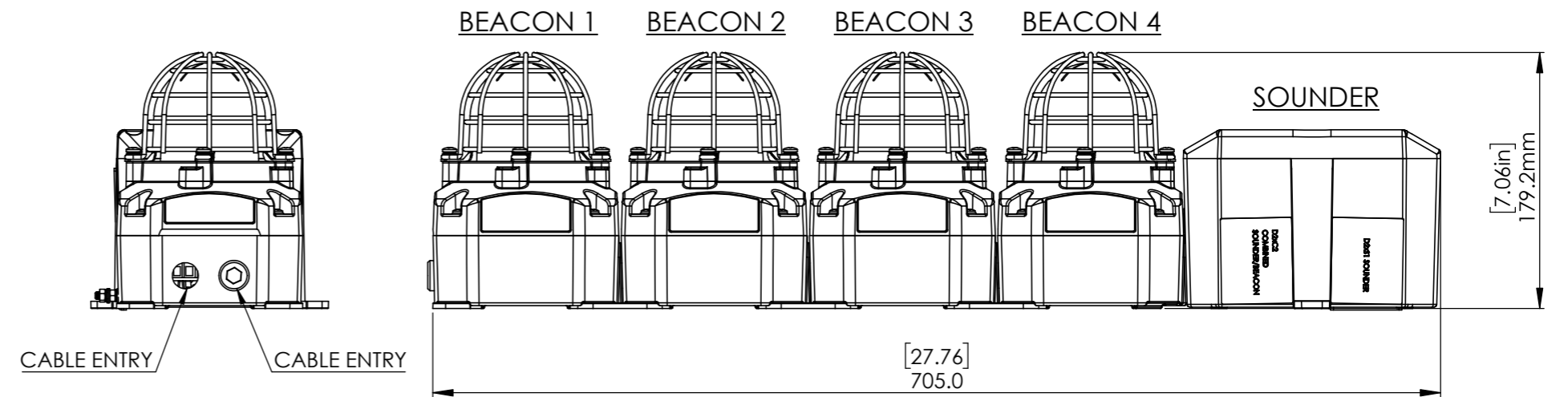
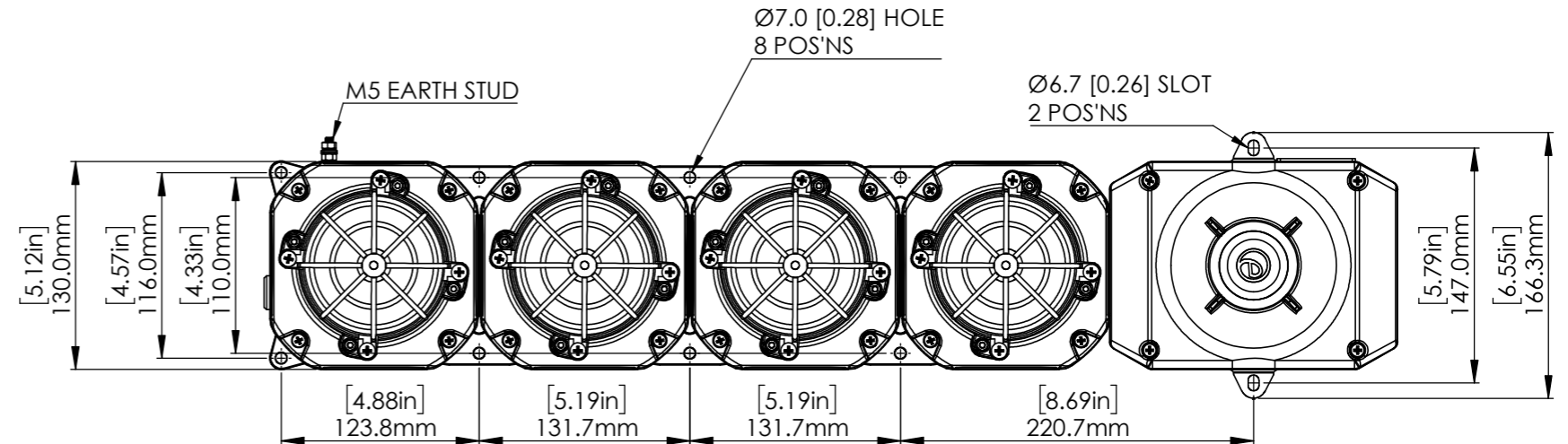
- Code Options
D2xC3 Stack Type
N1 Without Junction Box (N1) / With Junction Box (J1)
N2 Plated without J'Box (N2) / With Plate & J'Box (J2)
[XX] Beacon Type
[S1] D2xS1 Sounder



DESCRIPTION
D2xC3 STACK
4 BEACONS & ALARM HORN

DATA REFERENCE
1-35-020

| ISSUE | MOD No. | REASON - INITIAL - DATE |
|-------|---------|------------------------------------|
| 1 | | INTRODUCTION DAH - 04/04/19 |
| 2 | | LABEL NOTES ADDED MM 31-07-2023 |



NOTE:
FOR TAG PLATE SEE DRAWING D254-00-111
FOR OPTIONAL DUTY LABEL, GUARD/TAG MATERIAL OPTION [3] SEE DRAWING D254-00-031
FOR OPTIONAL DUTY LABEL, GUARD/TAG MATERIAL OPTION [5] SEE DRAWING D254-00-001

DIMENSIONS IN MM & [INCHES]

| | | | | | | | | | | |
|---|-----------|----------|--------------------------|----------------------|---|---|--|--|-------------|----------------|
| DRAWING TO BS8888:2000 GEOMETRIC TOLERANCES TO ISO1101:1983 LINEAR DIMENSIONAL TOLS ANGULAR DIMENSIONAL TOLS | DRAWN | DATE | SURFACE FINISH FINISH | WEIGHT (Kg) | THIS DRAWING AND ANY INFORMATION OR DESCRIPTIVE MATTER THEREIN IS COMMUNICATED IN CONFIDENCE AND IS THE COPYRIGHT PROPERTY OF EUROPEAN SAFETY SYSTEMS LTD. NEITHER THE WHOLE OR ANY EXTRACT MAY BE DISCLOSED, LOANED, COPIED OR USED FOR MANUFACTURING OR TENDERING PURPOSES WITHOUT THEIR WRITTEN CONSENT. | EUROPEAN SAFETY SYSTEMS LTD IMPRESS HOUSE MANSELL ROAD ACTON LONDON W3 7QH WWW.E2S.COM | ALL DIMENSIONS IN MM IF IN DOUBT, ASK - DO NOT SCALE | | | A2 |
| | CHECKED | DATE | | | | | MATERIAL | TITLE D2xC3 STACK - 4 BEACONS & ALARM HORN OUTLINE DRAWING | | |
| | STANDARDS | APPROVED | DATE | ALTERNATIVE MATERIAL | | | | SCALE | SHEET | DRAWING NUMBER |
| | D.HOWGILL | 04/04/19 | | | © EUROPEAN SAFETY SYSTEMS LTD. AS PER LATEST DATE OF ISSUE SHOWN ABOVE | | NTS | 1 OF 1 | D215-05-155 | |