

# IS-pA1 Panel Mount Sounder

The IS-pA1 is a compact, panel mount 90dB(A) intrinsically safe alarm buzzer.

Producing a high frequency continuous tone, the IS-pA1 can be pulsed to produce different sounds. Utilising the supplied threaded lock nut the IS-pA1 mounts into a 28mm hole – ideal for applications in control panels where a fault indication or other process alarm is required.

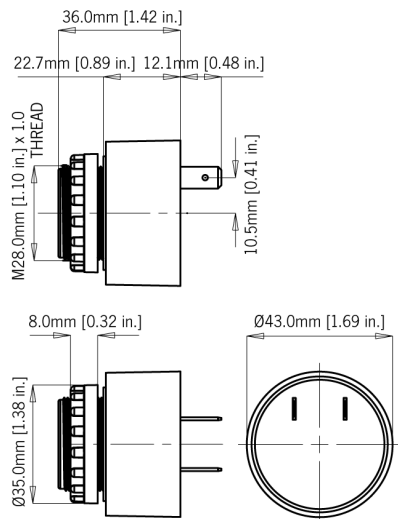
## Features

- Input overload and reverse current protection.

## Approvals

- ATEX certificate: SIRA 10ATEX2317X
- IECEx certificate: IECEx SIR 10.0073X
- GOST-R certificate: POCC GB.JB05.B03365





## Specification

Nominal output:	89.6dB(A) @ 1m +/- 3dB [80.6dB(A) @ 10ft/3m]
No. of tones:	1 - continuous tone
Frequency:	2600Hz
Voltage:	16-28vdc via Zener barrier or galvanic isolator
Current:	12mA typical when powered from 24v supply Zener barrier
Ingress protection:	IP66
Rating:	Continuous
Housing material:	UL94V0 & 5VA FR ABS
Housing colour:	RAL7038 Grey
Mounting:	Panel mount - 28.5mm
Terminals:	Spade terminals
Operating temp:	-40° to +60°C [-40 to +140°F]
Storage temp:	-40° to +70°C [-40 to +158°F]
Relative humidity:	90% at 20°C [68°F]

## Part Codes

ISpA1-G
ATEX / IECEx
II 1G Ex ia IIB T6 Ga (-30°C ≤ Ta ≤ +60°C)
May be powered from any certified Zener barrier or galvanic isolator whose output parameters do not exceed: Uo : 40VDC Io : 660mA Po : 1.3W (T1-T4), Po : 0.6W (T5), Po : 0.3W (T6)