

Features

- Automatic synchronisation on multi-beacon system.
- Beacons can be set to 'flip-flop' alternating mode with other units on multi-beacon systems.
- Xenon tubes mechanically secured against shock & vibration
- Glass lens & Stainless Steel guard
- Very large termination area.
- Ratchet adjustable stainless steel 'U' bracket.
- IN & OUT terminals (Ex de version only).

Approvals

- ATEX certificate: KEMA 00ATEX2006,

EN 60079-0 : 2006, EN 60079-1 : 2007,

EN 60079-7 : 2003, EN 61241-0 : 2006,

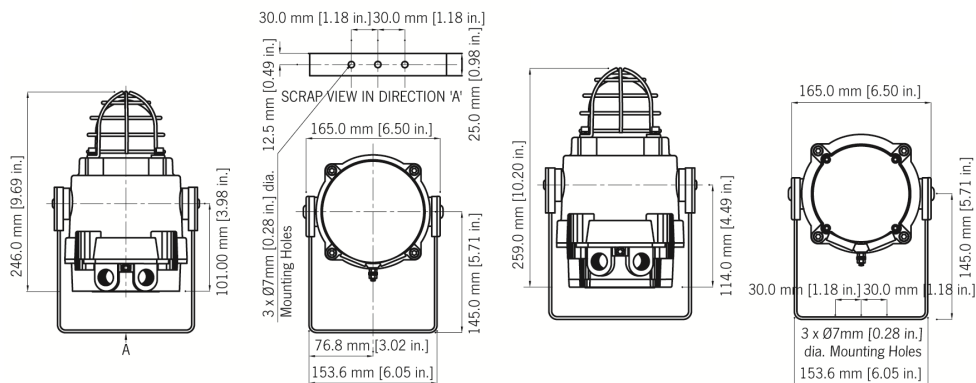
EN 61241-1 : 2004
- IECEx certificate: IECEx KEM 10.0002,

IEC 60079-0 : 2004 (Ed4), IEC 60079-1 : 2007 (Ed6),

IEC 60079-7 : 2001 (Ed3), IEC 61241-0 : 2004 (Ed1),

IEC 61241-1 : 2004 (Ed1)
- GOST-R certificate: POCC GB.JB05.B03365
- Inmetro certificate: 10HEx-0010





Specification

Energy:	15 Joules (15Ws)
Flash rate:	1Hz (60 fpm)
Peak Candela:	1,500,000 cd – calculated from energy (J)
Eff. Intensity cd:	750 cd – calculated from energy (J)
Peak Candela:	94,748 cd* – measured ref. to I.E.S.
Eff. Intensity cd:	444 cd* – measured ref. to I.E.S.
Lens colours:	Amber, Blue, Clear, Green, Red & Yellow
Voltages DC:	24vdc; 48vdc
Voltages AC:	115vac; 230vac
Ingress protection:	BG15D : IP66/67 BG15E : IP66
Enclosure matl:	Marine grade copper free LM6 Aluminium
Enclosure finish:	Chromate & powder coated finish – anti-corrosion.
Colour:	RAL3000 Red (others available on request)
Cable entries:	Dual M20 ISO (one stopping plug inc)
Terminals:	0.5 – 2.5mm ² (20-14 AWG)
Enclosure volume:	<2 litres
Line monitoring:	Blocking diode included EOL Min. 500 Ohm 2w, or 3k3 Ohm 0.5w resistor or diode (DC versions) can be fitted
Tube life:	Emissions are reduced to 70% after 8 million flashes
Weight:	DC:2.45kg/5.39lbs AC: 2.75kg/6.05lbs

*All candela data is representative of performance with clear lens at optimum voltage.

Part Codes

Part Code:	Classification:
BEExBG15D**	ATEX / IECEx: II 2G Ex d IIC T4 Ta. -50°C to +70°C II 2G Ex d IIC T5 Ta. -50°C to +40°C II 2D Ex tD A21 IP67 T125°C based on max. Ta. 70°C
	GOST-R: 1ExdIICT4 Ta. -50° to +55°C DIP A21 Ta T4
BEExBG15E**	ATEX / IECEx: II 2G Ex de IIC T4 Ta. -50°C to +70°C II 2G Ex de IIC T5 Ta. -50°C to +40°C II 2D Ex tD A21 IP66 T125°C based on max. Ta 70°C
	GOST-R: 2ExdeIICT4 Ta. -50° to +55°C DIP A21 Ta T4

** = Voltage & lens colour reference:

Voltage options:	24DC, 48DC, 115AC, 230AC		
Lens colour options:	-AM (Amber)	-BL (Blue)	-CL (Clear)
	-GN (Green)	-RD (Red)	-YW (Yellow)

e.g: BEExBG15D115AC-AM

Current Consumption

Version:	Voltage:	Current:
24V dc	20-28V dc	860mA
48V dc	42-54V dc	480mA
115V ac	50Hz/60Hz +/-10%	360mA
230V ac	50Hz/60Hz +/-10%	170mA