

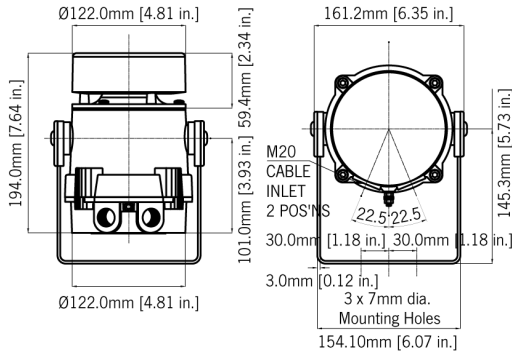
### Features

- Digitally stored mechanical bell sound.
- Continuously rated.
- Maintenance free.
- Very large termination area.
- Ratchet adjustable stainless steel 'U' bracket.

### Approvals

- ATEX certificate: KEMA 99ATEX6312,  
EN 60079-0 : 2006, EN 60079-1 : 2007,  
EN 61241-0 : 2006, EN 61241-1 : 2004
- IECEx certificate: IECEx KEM 10.0003,  
IEC 60079-0 : 2004 (Ed4), IEC 60079-1 : 2007 (Ed6),  
IEC 61241-0 : 2004 (Ed1), IEC 61241-1 : 2004 (Ed1)
- Safety integrity suitability: SIL1
- Inmetro certificate: 104Ex-0009
- GOST-R certificate: POCC GB.JB05.B03365





## Specification

|                     |  |
|---------------------|--|
| Nominal output:     | 106dB(A) @ 1m +/- 3dB [97dB(A) @ 10ft/3m]  |
| Volume control:     | Yes  |
| Voltages DC:        | 24vdc  |
| Voltages AC:        | 115vac; 230vac   |
| Ingress protection: | IP66/67  |
| Enclosure matl:     | Marine grade copper free<br>LM6 Aluminium  |
| Enclosure finish:   | Chromate & powder coated - anti-corrosion  |
| Colour:             | RAL3000 Red or RAL7038 Grey (others available on request)  |
| BExH 120-R flare:   | High impact UL94 V0 & 5VA FR ABS   |
| BExDH 120-R flare:  | Anti-Static High impact ABS (Black)  |
| Cable entries:      | Dual M20 ISO (one stopping plug inc)   |
| Terminals:          | 0.5 - 2.5mm <sup>2</sup> (20-14 AWG)   |
| Enclosure volume:   | <2 litres  |
| Line monitoring:    | Blocking diode included<br>EOL Min. 500 Ohm 2w, or 3k3 Ohm 0.5w resistor<br>or diode (DC versions) can be fitted |
| Weight :            | DC: 3.20kg/7.04lbs AC: 3.40kg/7.48lbs  |

## Part Codes

| Part Code:                                       | Classification:   |
|--|---|
| BExH 120DR** -G<br>Grey Housing &<br>Red Gong    | ATEX / IECEx:<br>II 2G Ex d IIB T4 Ta. -50 to +70°C<br>II 2G Ex d IIC T4 Ta. -50 to +55°C   |
| BExH 120DR** -R<br>Red Housing & Red<br>Gong     | ATEX / IECEx:<br>II 2G Ex d IIB T4 Ta. -50 to +70°C<br>II 2G Ex d IIC T4 Ta. -50 to +55°C   |
| BExDH 120DR** -G<br>Grey Housing &<br>Black Gong | ATEX / IECEx:<br>II 2G Ex d IIB T4 Ta. -50° to +70°C<br>II 2G Ex d IIC T4 Ta. -50° to +55°C<br>II 2D Ex tD A21 IP67 T115<br>based on a max. Ta. of 70°C |
| BExDH 120DR** -R<br>Red Housing &<br>Black Gong  | ATEX / IECEx:<br>II 2G Ex d IIB T4 Ta. -50° to +70°C<br>II 2G Ex d IIC T4 Ta. -50° to +55°C<br>II 2D Ex tD A21 IP67 T115<br>based on a max. Ta. of 70°C |

\*\* = Voltage reference:

Options: 24DC, 115AC, 230AC

## Current Consumption

| Voltage: |         | Current: |
|----------|---------|----------|
| 24V dc   |         | 400mA    |
| 115V ac  | 50/60Hz | 130mA    |
| 230V ac  | 50/60Hz | 65mA     |

### Tone table

| <b>S 1</b> | <b>Description</b>                | <b>S 2</b> | <b>S 3</b> |
|------------|-----------------------------------|------------|------------|
| T 1        | Industrial Hooter                 | T 3        | T 5        |
| T 2        | High Frequency Mechanical Siren   | T 1        | T 5        |
| T 3        | Medium Frequency Mechanical Siren | T 1        | T 5        |
| T 4        | Electro Mechanical Buzzer         | T 2        | T 5        |
| T 5        | Mechanical Bell                   | T 1        | T 2        |