

## Features

- Omni-directional sound output.
- Glass dome with optically enhanced prismatic PC lens.
- Stainless Steel guard.
- Very large termination area.
- Ratchet adjustable stainless steel 'U' bracket.
- The sounder & beacon may be connected from a single supply for simultaneous operation or from separate supplies for independent operation.
- 'Programmable' version available:

- 45 alarm tones

- 4 remotely selectable stages

- Any tone can be assigned to any stage

- User configurable continuous frequency tone



## Approvals

- ATEX certificate: KEMA 01ATEX2223X,

EN 60079-0 : 2006, EN 60079-1 : 2007,

EN 61241-0 : 2006, EN 61241-1 : 2004

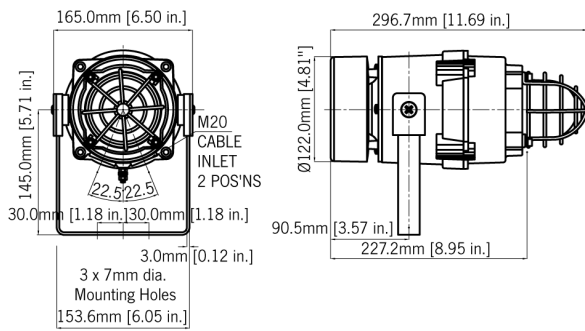
- IECEx certificate: IECEx KEM 10.0025,

IEC 60079-0 : 2004 (Ed4), IEC 60079-1 : 2007 (Ed6),

IEC 61241-0 : 2004 (Ed1), IEC 61241-1 : 2004 (Ed1)

- GOST-R certificate: POCC GB.JB05.B03365





## Specification

<b>Sounder/Horn:</b>	
Maximum output:	117dB(A) @ 1 metre [108dB(A) @ 10ft/3m]
Nominal output:	110dB(A) @ 1m +/- 3dB - Tone 2 [101dB(A) @ 10ft/3m]
No. of tones:	32 (UK00A / PFEER compliant)
No. of stages:	3
Volume control:	Max. 110dB(A); Min. 72dB(A) - Tone 2
Effective range:	100m/328ft @ 1KHz
Voltages DC:	12V dc; 24V dc; 48V dc
Voltages AC:	115V ac; 230V ac
Stage switching:	Negative or positive
<b>L.E.D. Beacon:</b>	
Light source:	Array of 32 high output L.E.D.s
Eff. Candela:	11cd* - measured ref. to I.E.S.
Lens colours:	Amber, Blue, Green, Red & Yellow
Voltages DC:	10-50V dc
Voltages AC:	115V ac; 230V ac
<b>General:</b>	
Ingress protection:	IP66/67
Enclosure matl:	Marine grade copper free LM6 Aluminium
Enclosure finish:	Chromate & powder coated
BEExCS110L1:	Horn - High impact UL94 V0 & 5VA FR ABS (Red)
BEExDCS110L1:	Horn - Anti-Static High impact ABS (Black)
Cable entries:	Dual M20 ISO (one stopping plug inc)
Terminals:	0.5 - 2.5mm <sup>2</sup> (20-14 AWG)
Enclosure volume:	<2 litres
Line monitoring:	Blocking diode included EOL Min. 500 Ohm 2w, or 3k3 Ohm 0.5w resistor or diode (DC versions) can be fitted
Grounding stud:	M5
Temperature range:	-50° to +70°C (-58°F to +158°F)
Relative humidity:	90% at 20°C [68°F]
Weight:	DC: 4.80kg/10.56lbs AC: 5.00kg/11lbs

## Part Codes

<b>Part Code:</b>	<b>Classification:</b>
BEExCS110L1DR**	ATEX / IECEx: GOST-R: ATEX / IECEx: GOST-R: II 2G Ex d IIB T4 1Exd IIB T4 Ta. -50° Ta. -50° to +70°C to +55°C     BEExDCS110L1DR** to. +70°C
	II 2G Ex d IIB T4 Ta. -50°C Ta. -50° to +55°C II 2D Ex tD A21 IP67 T115°C based on max Ta. of +70°C 
	1Exd IIB T4 Ta. -50° to +55°C DIP A21 Ta. -50° to +55°C T5  \2. ** = Voltage reference:

Options:	12DC, 24DC, 48DC, 115AC, 230AC
----------	--------------------------------------

Add 'P' to part number for Programmable version

## Current Consumption

Version:	Alarm Sounder Voltage:	Current:	L.E.D. Beacon Voltage:	Current:
12V dc	+/-25%	195mA	10-50V	750mA
24V dc	+/-25%	265mA	10-50V	400mA
48V dc	+/-25%	130mA	10-50V	210mA
115V ac 50/60Hz	+/-10%	110mA	+/-10%	135mA
230V ac 50/60Hz	+/-10%	56mA	+/-10%	65mA

## Beacon modes

Mode:	Stage 1: [Selectable on board]	Stage 2: [Remotely selectable]	Stage 3: [Remotely selectable]
Mode 1	All L.E.D's on	Mode: 9	Mode: 6
Mode 2	Rotating: Slow 1	Mode: 9	Mode: 1
Mode 3	Single Flash: 2Hz	Mode: 7	Mode: 1
Mode 4	Rotating: Fast 1	Mode: 3	Mode: 1
Mode 5	Rotating: Slow 2	Mode: 6	Mode: 1
Mode 6	Double Flash: 1Hz	Mode: 7	Mode: 1
Mode 7	Rotating: Fast 2	Mode: 8	Mode: 1
Mode 8	Double Flash: 2Hz	Mode: 9	Mode: 1
Mode 9	Alt. Side Flash: 2Hz	Mode: 7	Mode: 1

## Tone table

### S 1 Description

S 1 Description	S 2	S 3
T 1 Continuous 1000Hz Toxic Gas Alarm	T 31	T 11
T 2 Alternating 800/1000Hz at 0.25s intervals	T 17	T 5
T 3 Slow Whoop 500/1200Hz at 0.3Hz with 0.5s gap ...	T 2	T 5
T 4 Sweeping 800/1000 at 1Hz	T 6	T 5
T 5 Continuous at 2400Hz	T 3	T 27
T 6 Sweeping 2400/2900Hz at 7Hz	T 7	T 5
T 7 Sweeping 2400/2900Hz at 1Hz	T 10	T 5
T 8 Siren 500/1200/500Hz at 0.3Hz	T 2	T 5
T 9 Sawtooth 1200/500Hz at 1Hz	T 15	T 2
T 10 Alternating 2400/2900Hz at 2Hz	T 7	T 5
T 11 Intermittent 1000Hz at 0.5Hz General alarm	T 31	T 1
T 12 Alternating 800/1000Hz at 0.875Hz	T 4	T 5
T 13 Intermittent 2400Hz at 1Hz	T 15	T 5
T 14 Intermittent 800Hz 0.25s on 1s off	T 4	T 5
T 15 Continuous at 800Hz	T 2	T 5
T 16 Intermittent 660Hz 150mS on, 150mS off	T 18	T 5
T 17 Alternating 544Hz (100mS)/440Hz(400mS)	T 2	T 27
T 18 Intermittent 660Hz 1.8s on, 1.8s off	T 2	T 5
T 19 1400Hz to 1600Hz sweep up over 1s -1600Hz to ...	T 2	T 5
T 20 Continuous 660Hz	T 2	T 5
T 21 Alternating 554/440Hz at 1Hz	T 2	T 5
T 22 Intermittent 554Hz at 0.875Hz	T 2	T 5
T 23 800Hz pulsing at 2Hz	T 6	T 5
T 24 Sweeping 800/1000Hz at 50Hz	T 29	T 5
T 25 Sweeping 2400/2900Hz at 50Hz	T 29	T 5
T 26 Simulated bell sound	T 2	T 1
T 27 Continuous 554Hz	T 26	T 5
T 28 Continuous 440Hz	T 2	T 5
T 29 Sweeping 800/1000Hz at 7Hz	T 7	T 5
T 30 420Hz repeating 0.625s on, 0.625s off Austral...	T 32	T 5
T 31 1200/500Hz at 1 Hz Prepare to Abandon Platform	T 11	T 1
T 32 Sweeping 500/1200Hz 3.75s on, 0.25s off 15Hz	T 26	T 1