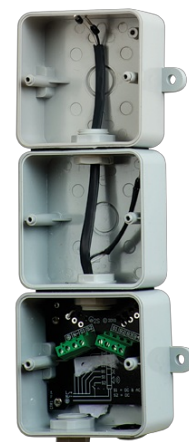


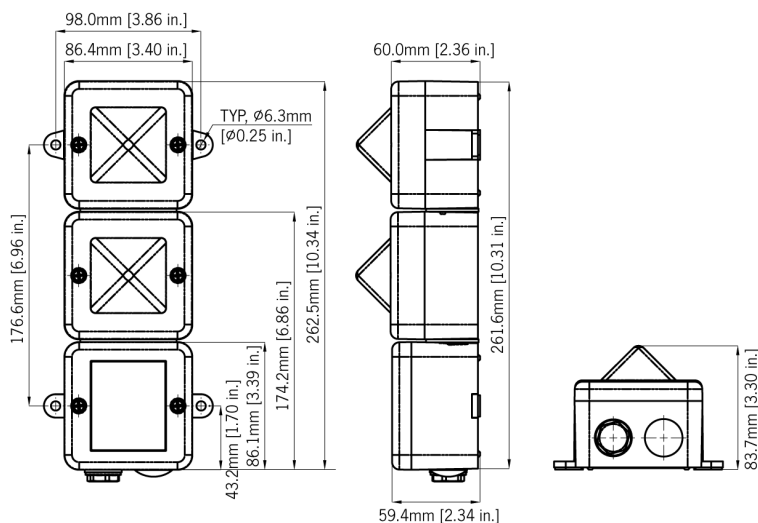
### Features

- Multiple configurations of Xenon and LED beacons.
- Internal cable loom and termination PCB simplifies installation.
- Common negative/neutral supply minimises cabling.
- Available with red, white or grey housing.
- High output LED unit can be set to steady or flashing.
- Sealed to IP66.
- Tropicalisation available on request.
- Can be combined with Sonora SONF1 audible signal – see STA2/3/4 data.

### Approvals

- UL & cULs approved: General signalling use.
- EAC compliant: RU D-GB.AL16.B.11083





## Specification

### General:

Cable entries: 2 x M20 clearance

Ingress Protection: IP66

Housing material: UL94V0 & 5VA FR ABS

Housing colour: RAL3000 Red, RAL7038 Grey and White

Lens material: PC

Fixings: Stainless Steel

Operating temp: -25° to +55°C [-13° to +131°F]

Storage temp: -40° to +70°C [-40° to +158°F]

Relative humidity: 90% at 20°C [68°F]

STB2 Weight: 0.65kg/1.43lbs

### L 101X – Xenon:

Energy: 5 Joules (5Ws)

Flash rate: 1Hz (60 fpm)

Peak Candela: 500,000 cd – calculated from energy (J)

Effective Intensity cd: 250 cd – calculated from energy (J)

Peak Candela: 86,935 cd\* – measured ref. to I.E.S.

Effective Intensity cd: 200 cd\* – measured ref. to I.E.S.

Terminals: 0.5 to 4.0mm<sup>2</sup> cables.

Lens colours: Amber, Blue, Clear, Green, Opal, Red, Yellow

Tube life: Emissions are reduced to 70% after 8 million flashes

### L 101H – L.E.D.:

Light source: High intensity L.E.D. array.  
24 x Superflux type high output L.E.D's

Options: Steady or 2Hz flash mode (on board selection)

Peak/Effective Intensity cd: Green L.E.D: 176cd – measured ref. to I.E.S.

Terminals: 0.5 to 4.0mm<sup>2</sup> cables

L.E.D. colours: Amber Blue, Green, Red and White

Lens colour: All L.E.D. colours use a Clear lens to maximise output and to ensure the signal is most effective in high ambient light levels.

## Part Codes

Version:	Description:	Voltage:	Part code:
STB2	Junction box assembly for 2 x L101 beacons	12/24Vdc	STB2DC[x]

STB2	Junction box assembly for 2 x L101 beacons	115/230Vac	STB2AC[x]
------	--	------------	-----------

[x]: G=Grey, R=Red, W=White

Version:	Description:	Voltage:	Part code:
ST-L 101X	L 101 Xenon Beacon 5J	12Vdc	ST-L 101XDC012[x]
ST-L 101X	L 101 Xenon Beacon 5J	24Vdc	ST-L 101XDC024[x]
ST-L 101X	L 101 Xenon Beacon 5J	115Vac	ST-L 101XAC115[x]
ST-L 101X	L 101 Xenon Beacon 5J	230Vac	ST-L 101XAC230[x]

[x]: A=Amber, B=Blue, C=Clear, G=Green, M=Magenta, R=Red, Y=Yellow

ST-L 101H	L 101 L.E.D. Beacon	10-30Vdc	ST-L 101HDC030[y]
ST-L 101H	L 101 L.E.D. Beacon	90-260Vac	ST-L 101HAC230[y]

[y]: A=Amber, B=Blue, C=Clear, G=Green, R=Red

Example: For a tower of three beacons using two Xenon beacons, one red, one amber plus one L.E.D. beacon in green using a 24Vdc supply in a red housing, order the following part codes:

STB2DCR  
ST-L 101XDC024R  
ST-L 101XDC024A

For UL approved version suffix all relevant part codes with UL