

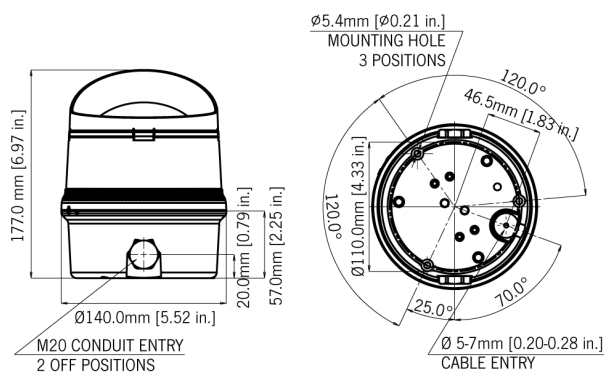
Features

- Bayonet fixing lens.
- Anti-tamper locking screw.
- Stainless steel fixings.]]

Approvals

- GOST-R certificate: POCC GB.JB05.H00144.





Specification

Light source:	Dual Filament Lamp E14
Light output:	2 × 15W
Function:	Permanent
L.E.D. colours:	Amber, Blue, Clear, Green, Red & Yellow
Effective Intensity cd:	24 cd* (peak/effective intensity)
Lens type:	Prismatic
Mounting:	Surface mount (Wall mount bracket available)
Entries:	1 × 5-7mm push through grommet 2 x M20 cable entry
Dimensions:	ø140 x 177mm
Ingress protection:	IP65
Housing material:	High impact UL94 V0 (f1) PC
Terminals:	0.5 to 2.5mm ²
Operating temp:	-25 to +50°C [-13° to +122°F]
Storage temp:	-40 to +70°C [-40 to +158°F]
Relative humidity:	90% at 20°C [68°F]

*Candela measurements representative of performance with clear lens at optimum voltage.

Part Codes

Version:	Part code:
12-250V	B450TDB250B/[x]
[x] = Lens colour:	A: Amber B: Blue C: Clear G: Green R: Red Y: Yellow

Note: Filament lamps not included. Must be ordered separately