

B300STR Xenon Strobe Beacon

The B300 series is comprised of a Xenon strobe beacon, permanent filament bulb or halogen beacon, blinking filament bulb or halogen beacon, rotating beacon and a multi-function LED array beacon.

The surface mount base can also be supplied with a right angle bracket or with a pole mounted assembly.

The B300STR Xenon beacon features an automatically synchronised flash rate of 1Hz (60 flashes per minute) as standard. The DC voltage versions also have user selectable 1.5Hz (90 flashes per minute) and double-strike flash rates. The double strike flash rate can be remotely activated via a third wire enabling a visual communication of a two stage alarm condition.

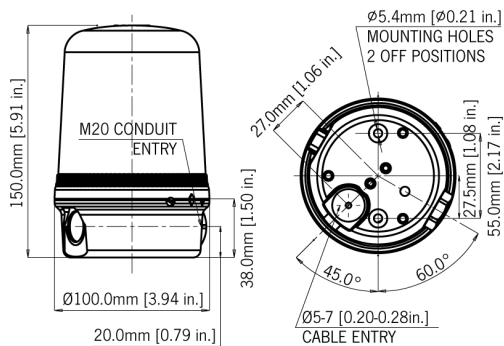
Features

- Bayonet fixing lens.
- Anti-tamper locking screw.
- Stainless steel fixings.

Approvals

- GOST-R certificate: POCC GB.JB05.H00144.





Specification

Light source:	Xenon Strobe
Energy:	5 Joules (5Ws)
Flash rate:	1Hz (60 fpm)
	DC units: Optionally 1.5Hz & double strike
Alarm Stages:	DC units - 2
	Double strike pattern can be remotely switched
Synchronisation:	1Hz flash rate automatically synchronised
Peak Candela:	500,000 cd - calculated from energy (J)
Effective Intensity cd:	250 cd - calculated from energy (J)
Peak Candela:	49,778 cd* - measured ref. to I.E.S.
Effective Intensity cd:	125 cd* - measured ref. to I.E.S.
Lens colours:	Amber, Blue, Clear, Green, Red & Yellow
Lens type:	Prismatic (standard) or plain
Mounting:	Surface mount (right angle or pole mount accessories available)
Entries:	1 x 5-7mm push through grommet 1 x M20 cable entry
Dimensions:	ø100 x 150mm
Ingress protection:	IP65
Housing material:	High impact UL94 V0 (f1) PC
Lens material:	High impact UL94 V0 (f1) PC
Terminals:	1.5 mm ² flying lead assembly
Operating temp:	-25 to +50°C [-13° to +122°F]
Storage temp:	-40 to +70°C [-40 to +158°F]
Relative humidity:	90% at 20°C [68°F]
Weight:	370g/0.81lbs

*Candela measurements representative of performance with clear lens at optimum voltage.

Part Codes

Version:	Energy:	Part code:
12V dc/ac	5 Joules	B300STR012B/[x]
24V dc/ac	5 Joules	B300STR024B/[x]
48V dc/ac	5 Joules	B300STR048B/[x]
115V ac	5 Joules	B300STR115B/[x]
230V ac	5 Joules	B300STR230B/[x]
[x] = Lens colour:		
A		Amber
B		Blue
C		Clear
G		Green
R		Red
Y		Yellow

Current Consumption

Version:	Current:
12V dc/ac	500mA/600mA
24V dc/ac	250mA/300mA
48V dc/ac	175mA/250mA
115V ac 50/60Hz	70mA
230V ac 50/60Hz	35mA