

MBX05 Xenon Strobe Beacon

The MBX05 is a 5 Joule Xenon strobe beacon featuring a robust, fire retardant, IP66 & IP67 Type 4/4X/13 enclosure; suitable for harsh of environments.

The 'M' series of products have been designed to withstand the harshest of environments. Constructed from lightweight, impact and fire resistant ABS, the range features stainless steel, ratchet adjustable mounting brackets and has been third party tested to IP66/67.

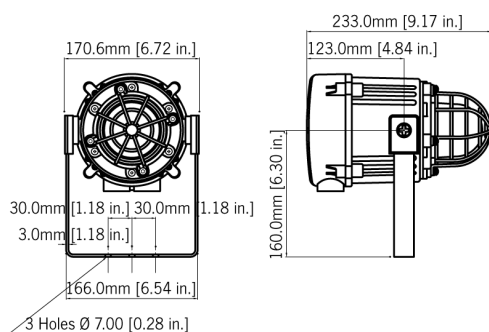
Features

- Ingress protection IP66/67 Type 4/4X/13
- Automatic synchronisation on multi-beacon systems
- Beacons can be set to 'flip-flop' alternating mode with other units on multi-beacon systems
- Xenon tubes mechanically secured against shock & vibration
- Glass lenses & 316 (A4) Stainless steel guard
- UV stable PC, field replaceable, colour lens filter
- Large termination area
- Dual M20 or 1/2"NPT cable entries – adaptors available
- Stopping plug included
- 316 (A4) Stainless steel mounting bracket
- Ratchet adjustable 'U' bracket for 360° positioning
- Duplicate cable terminations
- Reverse polarity diode fitted
- Continuously rated
- 120 cd effective candela light intensity
- 39,463 cd peak candela light intensity

Approvals

- EAC compliant: RU D-GB.GA05.B.12595-20
- Russian Maritime Register of Shipping
Cert: No. 19.00193.278





Specification

Energy:	5 Joules (5Ws)
Flash rate:	1Hz (60 fpm)
Peak Candela:	500,000 cd – calculated from energy (J)
Eff. Intensity cd:	250 cd – calculated from energy (J)
Peak Candela:	39,463 cd* – measured ref. to I.E.S.
Eff. Intensity cd:	120 cd* – measured ref. to I.E.S.
Lens colours:	Amber, Blue, Clear, Green, Red & Yellow
Voltages DC:	12vdc; 24vdc; 48vdc
Voltages AC:	115vac; 230vac
Ingress protection:	IP66/67 Type 4/4X/13
Enclosure material:	High impact UL94 V0 & 5VA FR ABS
Enclosure colour:	Grey (RAL7038) or Red (RAL3000)
Dome material:	Borosilicate glass
Lens colour filter:	Field replaceable UV stable PC
Lens guard:	316 (A4) Stainless steel
Cable entries:	2 x M20; 1 x M20 & 1 x 1/2"NPT; 2 x 1/2"NPT supplied with blanking plug
Terminals:	0.5 – 2.5mm ² (20-14 AWG)
Line monitoring:	Diode polarized for use in supervised circuits
Operating temp:	-40 to +66°C [-40° to +151°F]
Storage temp:	-40 to +70°C [-40° to +158°F]
Relative humidity:	95% at 20°C [68°F]
MTBF DC:	250.07 years / 2,190,580 hours – MIL 217
MTBF AC:	308.53 years / 2,702,702 hours – MIL 217
Weight:	1.48kg/3.25lbs

*Candela measurements representative of performance with clear lens at optimum voltage

Part Codes

Variable:	Identifier:	Description:
Product type:	MBX05	Xenon Strobe Beacon
Voltage:	AC115 AC230 DC012 DC024 DC048	115V ac 50/60Hz 230V ac 50/60Hz 12V dc (10-14V dc) 24V dc (20-28Vdc) 48V dc (42-54V dc)
Cable entries: [e]	A B C	M20x1.5 & 1/2" NPT M20x1.5 & M20x1.5 (Default) 1/2" NPT & 1/2" NPT
Stopping plug material: [m]	N	Nylon
Bracket & Guard: [s]	1 3	316 (A4) Stainless Steel 316 (A4) Stainless Steel with Equipment tag
Product version: [v]	A	CE, UKCA, EAC, RMRS
Product option: [o]	1 X Z	Standard product Custom configuration – contact E2S Custom alarm tone software – contact E2S
Enclosure: [x]	G R	Grey (RAL7038) Red (RAL3000)
Lens colour: [y]	A, B, C G, M, R, Y	Amber, Blue, Clear Green, Magenta, Red, Yellow
Accessories:	SP65-0001-A4 SP65-0003-A4	Pole Mount Bracket Kit 2" St/St 316 (A4) Sunshade – St/St 316 (A4)

Current Consumption

Product Version:	Nominal Voltage:	Voltage Range:	Current Consumption:
DC012	12V dc	10-14V dc	750mA
DC024	24V dc	20-28V dc	270mA
DC048	48Vdc	42-54V dc	180mA
AC115	115Vac	±10% 50/60Hz	140mA
AC230	230V ac	±10% 50/60Hz	55mA