

# B400LDA LED Beacon [Multi-Function Array]

The B400 series comprises Xenon strobe beacons, permanent filament bulb or halogen beacon, blinking filament bulb or halogen beacon, rotating halogen beacon and a multi-function LED array beacon.

The surface mount base can also be supplied with a right angle bracket or with a pole mounted assembly.

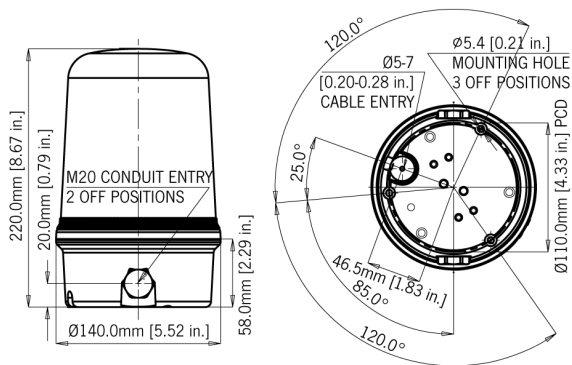
## Features

- Bayonet fixing lens.
- Anti-tamper locking screw.
- Stainless steel fixings.
- Multiple cable entries

## Approvals

- GOST-R certificate: POCC GB.JB05.H00144.





## Specification

Light source:	Array of 32 high output L.E.D.'s
Function:	Total of 9 user selectable operation modes: *4 rotating configurations. *4 flashing configurations. *Steady mode for status applications.
Stages:	DC unit: remotely selectable 2nd & 3rd stage pattern.
Peak/Effective Intensity cd:	30 cd* - measured ref. to I.E.S.
Lens colours:	Amber, Blue, Clear, Green, Red & Yellow
Lens type:	Prismatic (standard) or plain
Mounting:	Surface mount (right angle or pole mount accessories available)
Entries:	1 x 5-7mm push through grommet 2 x M20 cable entry
Dimensions:	Ø140 x 220mm
Ingress protection:	IP65
Housing material:	High impact UL94 V0 (f1) PC
lens material:	High impact UL94 V0 (f1) PC
Terminals:	1.5 mm <sup>2</sup> flying lead assembly
Operating temp:	-25 to +50°C [-13 to +122°F]
Storage temp:	-40 to +70°C [-40 to +158°F]
Relative humidity:	90% at 20°C [68°F]
Weight:	AC:845g/1.85lbs DC:595g/1.3lbs   \2.*Candela measurements representative of performance with clear lens at optimum voltage

## Part Codes

Version:	Voltage:	Part code:
050	10-50V dc	B400LDA050B/[x]
115	115V ac	B400LDA115B/[x]
230	230V ac	B400LDA230B/[x]

[x] = Lens colour:

A	Amber
B	Blue
C	Clear
G	Green
R	Red
Y	Yellow

## Current Consumption

Version:	Current mA:
10-50V dc	400mA @ 24V dc
115V ac 50/60Hz	140mA
230V ac 50/60Hz	70mA

## Multi-function patterns

Stage 1:	Stage 2: DC only	Stage 3: DC only
1	All L.E.D's on	Alternate Side Flash 1:1 2Hz Double Strike Flash 2Hz
2	Rotating: Fast 1	Rotating: Fast 2 All L.E.D's on
3	Rotating: Fast 2	Double Strike Flash 2Hz All L.E.D's on
4	Rotating: Slow 1	Alternate Side Flash 1:1 2Hz All L.E.D's on
5	Rotating: Slow 2	Double Strike Flash 1Hz All L.E.D's on
6	Double Strike Flash 1Hz	Alternate Side Flash 1:1 2Hz All L.E.D's on
7	Single Strike Flash 2Hz	Rotating: Fast 2 All L.E.D's on
8	Double Strike Flash 2Hz	Rotating: Fast 2 All L.E.D's on
9	Alternate Side Flash 1:1 2Hz	Rotating: Fast 2 All L.E.D's on