

# ML25F PA Horn Loudspeaker

**The ML25F 25W PA loudspeaker is suitable for harsh environments with high ambient noise levels.**

The ML25F features IP66 & IP67 (Type 4/4X) enclosures and re-entrant flare horns manufactured from high impact, fire retardant ABS. All models have dual cable entries and large termination areas containing in & out terminals.

Available with 70 and 100V line transformers or in 8 or 16 Ohm low impedance versions. The 70V line model is UL & cUL approved for Fire Alarm & Emergency and Professional & Commercial use for the US and Canada.

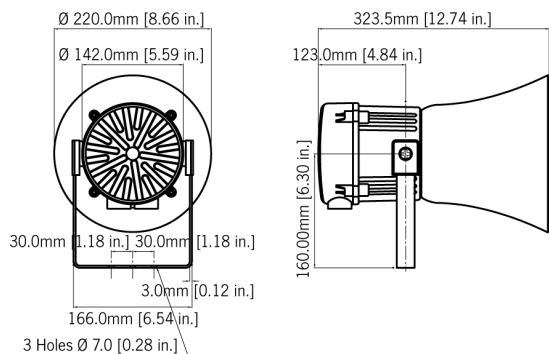
## Features

- Ingress protection IP66/67 Type 4/4X/13
- Large termination area
- Dual M20 or 1/2"NPT cable entries – adaptors available
- Stopping plug included
- 316 (A4) Stainless steel mounting bracket
- Ratchet adjustable 'U' bracket for 360° positioning
- Duplicate cable terminations
- Fire Alarm & Emergency and Professional & Commercial use

## Approvals

- UL 1480, Fifth Edition  
CAN/ULC-S541-07  
CSA C22.2 No. 205-12  
UL category codes:  
UUMW / UUMW7  
UEAY / UEAY7
- EAC approved.  
Cert: RU D-GB.AL16.V.11083
- Russian Maritime Register of Shipping  
Cert: No. 14.02758.315
- CSFM listing: 7320-2279:0502





## Specification

SPL:	111dB +/-3dB @ 1w @ 1m – Pink noise 121dB +/-3dB @ 25w @ 1m
Rated power:	25 Watts RMS
70v line tapings:	25w / 12.5w / 6w / 2w tapings (z=196 Ohms/392 Ohms/816.67 Ohms/2.45kOhms)
100v line tapings:	25w / 12.5w / 6w / 2w tapings (z=400 Ohms / 800 Ohms / 1.67kOhms / 5kOhms)
Low impedance:	8 Ohm or 16 Ohm
Dispersion:	130° @ 1kHz & 32° @ 4kHz
Frequency range:	300Hz to 8000 Hz
DC Line monitoring:	2.2uF Capacitor (Transformer version) 470uF Capacitor (Impedance version)
Ingress protection:	IP66 & IP67 (Third party tested) UL50E / NEMA250: 4 / 4X / 3R / 13
Enclosure material:	High impact UL94 V0 & 5VA FR ABS
Enclosure colour:	Grey (RAL7038) and Red (RAL3000)
Cable entries:	2 x M20; 1 x M20 & 1 x 1/2"NPT; 2 x 1/2"NPT supplied with blanking plug
Terminals:	0.5 - 2.5mm <sup>2</sup> (20-14 AWG)
Operating temp:	-40 to +66°C [-40° to +151°F]
Storage temp:	-40 to +70°C [-40° to +158°F]
Relative humidity:	95% at 20°C [68°F]
Weight:	70/100V line: 3.00kg/6.6lbs Low impedance: 2.50kg/5.5lbs
*SPL data +/-3dB(A). Measured at optimum voltage.	

## Part Codes

Variable:	Identifier:	Description:
Product type:	ML25	25W PA Loudspeaker
Horn type:	F	Flare re-entrant horn
Type:	V100 V070 R008 R016	100V Line 70V Line 8 Ohm Low impedance 16 Ohm Low impedance
Cable entries: [e]	A B C	M20x1.5 & 1/2" NPT M20x1.5 & M20x1.5 (Default) 1/2" NPT & 1/2" NPT
Stopping plug material: [m]	N	Nylon
Bracket: [s]	1 3	316 (A4) Stainless Steel 316 (A4) Stainless Steel with Equipment tag
Approvals:	A1 B1	CE, EAC, RMRS UL, cUL
Enclosure: [x]	G R	Grey (RAL7038) Red (RAL3000)
* *NOTE:		UL & cUL approval only available on 70V line version
Accessories:	SP65-0001-A4 SP65-0003-A4	Pole Mount Bracket Kit 2" St/St 316 (A4) Sunshade - St/St 316 (A4)