

SONFL1X-HO High Output Alarm Horn & Xenon Strobe

The SONFL1X-HO features the 105dB(A) SONF1-HO alarm horn sounder combined with the L101X Xenon strobe beacon. The compact, robust housing is ideal for all general signalling applications including fire, security and process control.

The 5 Joule Xenon strobe generates over 200 candela of light output. DC versions have multiple flash rates selectable during installation. Sounder & beacon may be connected from a single supply for simultaneous operation or from separate supplies for independent operation.

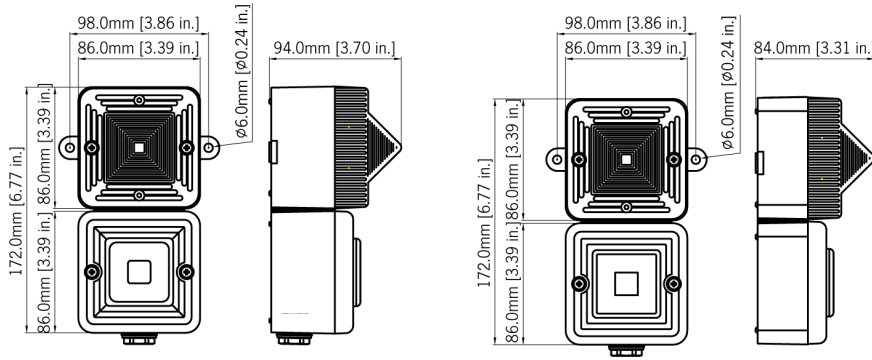
Features

- Automatic synchronisation on multi-sounder system.
- High output Xenon beacon
- DC voltage units feature multiple flash rates.
- Continuously rated.
- Stainless steel fixings.
- Mounting via internal BESA compatible fixing positions or via external mounting lugs.
- Duplicate cable terminations (in & out for daisy-chain installations).
- Tropicalisation available on request.
- Available with custom tone configurations and frequencies.

Approvals

- VdS approved: EN54-3 & EN54-23 (CPR 305/2011/EU).
- GOST-R approved. Cert: POCC GB-JB05-H00144.





Specification

Sounder:

Maximum output: 105dB(A) @ 1 metre [96dB(A) @ 10ft/3m]

Nominal output: 103dB(A) @ 1m +/- 3dB - Tone 1 [94dB(A) @ 10ft/3m]

No. of tones: 10 (UK00A / PFEER compliant)

No. of stages: 2

Effective range: 32m/105ft @ 1KHz

Beacon:

Energy: 5 Joules (5Ws)

Flash rate: 1Hz (60 fpm)

Peak Candela: 500,000 cd - calculated from energy (J)

Effective Intensity: 250 cd - calculated from energy (J)

Peak Candela: 86,935 cd* - measured ref. to I.E.S.

Effective Intensity: 200 cd* - measured ref. to I.E.S.

Lens colours: Amber, Blue, Clear, Green, Magenta, Red & Yellow

Tube life: Emissions are reduced to 70% after 5 million flashes

General:

Voltages DC: 12Vdc; 24V dc

Ingress protection: IP66

Housing material: High impact UL94 V0 & 5VA FR ABS

Colour: Red (RAL3000), grey (RAL7038) & white.

Lens material: PC

Cable entries: 4 x M20 clearance gland knockouts in side & back

Terminals: 0.5 to 1.5mm² cables.

Operating temp: -25 to +55°C [-13° to +131°F]

Storage temp: -40 to +70°C [-40° to +158°F]

Relative humidity: 90% at 20°C [68°F]

Weight: 0.50kg/1.1lbs

*SPL data +/-3dB(A). Measured at optimum voltage.

*Candela measurements representative of performance with clear lens at optimum voltage.

Part Codes

Version: 12V dc Part code: SONFL1XDC012[x]/[y]-H

24V dc SONFL1XDC024[x]/[y]-H

[x] = Enclosure colour: G: Grey (RAL7038)
R: Red (RAL3000)
W: White

[y] = Lens colour: A: Amber
B: Blue
C: Clear
G: Green
M: Magenta
R: Red
Y: Yellow

CPR - EN54-3 & EN54-23:

Part code: SONFL1XDC024[x]/C-H

Environmental class: Type B - for outdoor use

Visual range: Category W-2.4-4.8

Signal colour: Clear (1Hz)

Alarm Sounder

Version: 12V dc Voltage: 10-18V dc Current: 50mA

24V dc 18-30V dc 80mA

Xenon Beacon

Version: 12V dc Voltage: 10-14V dc Current: 500mA

24V dc 20-28V dc 250mA

Tone table

S 1 Description

S 1	Description	S 2
T 1	800/1000Hz @ 0.25 sec Alternating	T 8
T 2	500/1200Hz @ 0.3Hz 0.5 sec Slow Whoop	T 1
T 3	1200/500Hz @ 1Hz - DIN / PFEER P.T.A.P.	T 8
T 4	544Hz (100mS)/440Hz (400mS) - NF S 32-001	T 9
T 5	Bell	T 1
T 6	800/1000Hz @ 7Hz Sweeping	T 8
T 7	500-1200Hz 3.75sec /0.25sec. Australian Evac.	T 10
T 8	\2.1000Hz Continuous - PFEER Toxic Gas	
T 9	\2.Continuous 554Hz	