

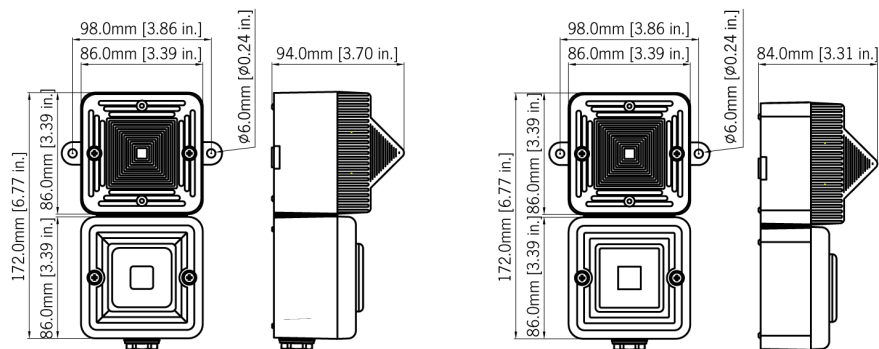
Features

- High output L.E.D array
- Automatic synchronisation on multi-sounder system.
- Continuously rated.
- Stainless steel fixings.
- Mounting via internal BESA compatible fixing positions or via external mounting lugs.
- Duplicate cable terminations (in & out for daisy-chain installations).
- Tropicalisation available on request.
- Available with custom tone configurations and frequencies.

Approvals

- SONF1-H0 sounder: VdS approved to EN54-3 (CPD 89/106/EEC)
- GOST-R approved. Cert: POCC GB-JB05-H00144





Specification

Sounder:

Maximum output: 105dB(A) @ 1 metre [96dB(A) @ 10ft/3m]

Nominal output: 103dB(A) @ 1m +/- 3dB - Tone 1 [94dB(A) @ 10ft/3m]

No. of tones: 10 (UK00A / PFEER compliant)

No. of stages: 2

Effective range: 32m/105ft @ 1KHz

Beacon:

Light source: High intensity L.E.D. array.
24 x Superflux type high output L.E.D's

Options: Steady or 2Hz flash mode (on board selection)

Peak/Effective Intensity cd: Green L.E.D: 176cd - measured ref. to I.E.S.

Terminals: 0.5 to 4.0mm² cables

L.E.D. colours: Amber Blue, Green, Red and White

Lens colour: All L.E.D. colours use a Clear lens to maximise output and to ensure the signal is most effective in high ambient light.

General:

Voltages DC: 12Vdc; 24V dc

Ingress protection: IP66

Housing material: High impact UL94 V0 & 5VA FR ABS

Colour: Red (RAL3000), grey (RAL7038) & white.

Lens material: PC

Cable entries: 4 x M20 clearance gland knockouts in side & back

Terminals: 0.5 to 1.5mm² cables.

Operating temp: -25 to +55°C [-13° to +131°F]

Storage temp: -40 to +70°C [-40° to +158°F]

Relative humidity: 90% at 20°C [68°]

Weight: 0.50kg/1.1lbs

*SPL data +/-3dB(A). Measured at optimum voltage.

*Candela measurements representative of performance with clear lens at optimum voltage.

Part Codes

Version: 12V dc Part code: SONFL1HDCC012[x]/[y]-H

24V dc SONFL1HDCC024[x]/[y]-H

[x] = Enclosure colour: G: Grey (RAL7038)
R: Red (RAL3000)
W: White

[y] = Light colour: A: Amber
B: Blue
W: Clear (White)
G: Green
R: Red

Alarm Sounder

| Version: | Voltage: | Current : |
|----------|-----------|-----------|
| 12V dc | 10-18V dc | 50mA |
| 24V dc | 18-30V dc | 80mA |

* current at nominal voltage on Tone 2

L.E.D. Beacon

| Version: | Voltage: | Current: |
|----------|-----------|------------------|
| 24V dc | 10-30V dc | 155mA (@ 24V dc) |

Tone table

S 1 Description

| S 1 | Description | S 2 |
|-----|---|------|
| T 1 | 800/1000Hz @ 0.25 sec Alternating | T 8 |
| T 2 | 500/1200Hz @ 0.3Hz 0.5 sec Slow Whoop | T 1 |
| T 3 | 1200/500Hz @ 1Hz - DIN / PFEER P.T.A.P. | T 8 |
| T 4 | 544Hz (100mS)/440Hz (400mS) - NF S 32-001 | T 9 |
| T 5 | Bell | T 1 |
| T 6 | 800/1000Hz @ 7Hz Sweeping | T 8 |
| T 7 | 500-1200Hz 3.75sec /0.25sec. Australian Evac. | T 10 |
| T 8 | \2.1000Hz Continuous - PFEER Toxic Gas | |
| T 9 | \2.Continuous 554Hz | |