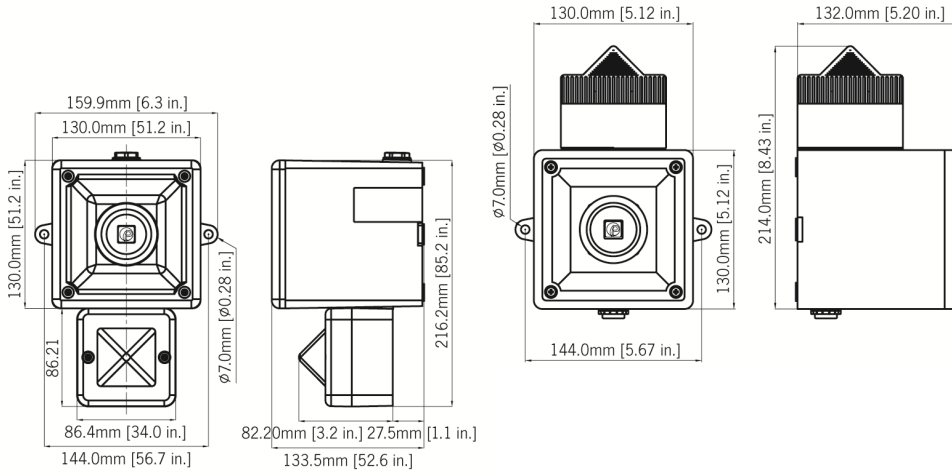


# AL105NX Alarm Horn Sounder & Xenon Strobe Beacon

The AL105NX features the 112dB(A) A105N alarm horn sounder combined with the L101X Xenon strobe beacon. The compact, robust housing is ideal for all general signalling applications including fire, security and process control.

The 5 Joule Xenon strobe generates over 200 candela of light output. DC versions have multiple flash rates selectable during installation. Sounder & beacon may be connected from a single supply for simultaneous operation or from separate supplies for independent operation.





## Specification