

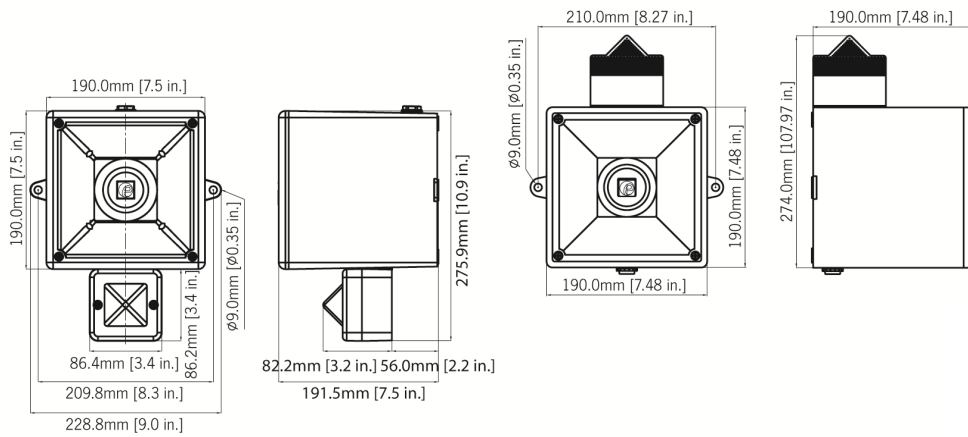
Features

- Automatic synchronisation on multi-sounder system.
- High output Xenon beacon
- DC voltage units feature multiple flash rates.
- Continuously rated.
- Stainless steel fixings.
- Unit can be mounted using external lugs or internal BESA compatible fixing positions.
- Duplicate cable terminations (in & out for daisy-chain installations).
- Tropicalisation available on request.
- Available with custom tone configurations and frequencies.
- Stage Programmable 4 stage/channel version available:
 - 45 alarm tones
 - 4 remotely selectable stages
 - Any tone can be assigned to any stage
 - User configurable continuous frequency tone

Approvals

- EN54-3 & EN54-23 (CPR 305/2011/EU).
- UL & cULs approved: General signalling use.
- GOST-R approved. Cert: POCC GB-JB05-H00144.





Specification

Sounder:	
Maximum output:	126dB(A) @ 1 metre
Nominal output:	121dB(A) @ 1m +/- 3dB - Tone 2
No. of tones:	45 (UKOOA / PFEER compliant)
No. of stages:	3
Volume control:	Max. 121dB(A); Min. 112dB(A) - Tone 2
Effective range:	300m @ 1KHz
Voltages DC:	24V dc (10-30V dc); 48V dc (35-60V dc) [DC units can use 24V ac for single stage applications.]
Voltages AC:	24V ac; 115V ac; 230V ac
Stage switching:	Negative - Reverse polarity stage switching on DC units.
Beacon:	
Energy:	5 Joules (5Ws)
Flash rate:	1Hz (60 fpm)
Peak Candela:	500,000 cd - calculated from energy (J)
Effective Intensity:	250 cd - calculated from energy (J)
Peak Candela:	86,935 cd* - measured ref. to I.E.S.
Effective Intensity:	200 cd* - measured ref. to I.E.S.
Lens colours:	Amber, Blue, Clear, Green, Magenta, Red & Yellow
Tube life:	Emissions are reduced to 70% after 5 million flashes
General:	
Ingress protection:	IP66
Enclosure material:	High impact UL94 V0 & 5VA FR ABS
Enclosure colour:	Red (RAL3000) and grey (RAL7038)
Cable entries:	2 x M20 clearance gland entries in side & back
Terminals:	0.5 to 4.0mm ² cables.
Operating temp:	-25 to +55°C
Storage temp:	-40 to +70°C
Relative humidity:	90% at 20°C.
Weight:	DC: 2.30kg AC:2.90kg

⊠*Candela measurements representative of performance with clear lens at optimum voltage.

*SPL data +/-3dB(A). Measured at optimum voltage.

Part Codes

Version:	Part code:
24V dc	AL121XDC024[x]/[y]
48V dc	AL121XDC048[x]/[y]
24V ac	AL121XAC024[x]/[y]
115V ac	AL121XAC115[x]/[y]
230V ac	AL121XAC230[x]/[y]
[x] = Enclosure colour:	R: Red, G: Grey
[y] = Lens colour:	A: Amber, B: Blue, C: Clear, G: Green, M: Magenta, R: Red, Y: Yellow

Suffix part number with 'P' for stage programmable, 4 stage, 45 tone version (not available with UL approval).

Suffix part number with 'F' for forward facing Xenon beacon.

Note: Standard beacon configuration is downward facing.

Suffix part number with 'UL' for UL approved version.

CPR	EN54-3 & EN54-23:
Part codes:	AL121XDC024[x]/C-F, AL121XDC048[x]/C-F
Environmental class:	Type B - for outdoor use
Visual range:	Category W-2.4-4.8 (24V dc) Category W-2.5-5.0 (48V dc)
Signal colour:	Clear (1Hz)

Alarm Sounder

Version:	Voltage:	Current:
24V dc	10-30V dc	950mA*
48V dc	35-60V dc	600mA*
24V ac	50/60Hz +/-10%	1000mA
115V ac	50/60Hz +/-10%	240mA
230V ac	50/60Hz +/-10%	120mA

* current at nominal voltage on Tone 2

Xenon Beacon

Version:	Voltage:	Current:
12V dc	10-14V dc	500mA
24V dc	20-28V dc	250mA
48V dc	42-54V dc	175mA
24V ac	50/60Hz +/-10%	300mA
115V ac	50/60Hz +/-10%	70mA

Tone table

S 1	Description	S 2	S 3	S 1	Description	S 2	S 3
T 1	340 Hz Continuous	T 2	T 5	T 33	745Hz @ 1Hz Intermittent	T 2	T 5
T 2	800/1000Hz @ 0.25 sec Alternating	T 17	T 5	T 34	1000 & 2000Hz @ 0.5 sec Alternating - Singapore	T 38	T 45
T 3	500/1200Hz @ 0.3Hz 0.5 sec Slow Whoop	T 2	T 5	T 35	420Hz @ 0.625 sec Australian Alert	T 36	T 5
T 4	800/1000Hz @ 1Hz Sweeping	T 6	T 5	T 36	500-1200Hz 3.75sec /0.25sec. Australian Evac.	T 35	T 5
T 5	2400Hz Continuous	T 3	T 20	T 37	1000Hz Continuous - PFEER Toxic Gas	T 9	T 45
T 6	2400/2900Hz @ 7Hz Sweeping	T 7	T 5	T 38	2000Hz Continuous	T 34	T 45
T 7	2400/2900Hz @ 1Hz Sweeping	T 10	T 5	T 39	800Hz 0.25sec on, 1 sec off Intermittent	T 23	T 17
T 8	500/1200/500Hz @ 0.3Hz Sweeping	T 2	T 5	T 40	544Hz (100mS)/440Hz (400mS) - NF S 32-001	T 31	T 27
T 9	1200/500Hz @ 1Hz - DIN / PFEER P.T.A.P.	T 15	T 2	T 41	Motor Siren - slow rise to 1200 Hz	T 2	T 5
T 10	2400/2900Hz @ 2Hz Alternating	T 7	T 5	T 42	Motor Siren - slow rise to 800 Hz	T 2	T 5
T 11	1000Hz @ 1Hz Intermittent	T 2	T 5	T 43	1200 Hz Continuous	T 2	T 5
T 12	800/1000Hz @ 0.875Hz Alternating	T 4	T 5	T 44	Motor Siren - slow rise to 2400 Hz	T 2	T 5
T 13	2400Hz @ 1Hz Intermittent	T 15	T 5	T 45	1KHz 1s on, 1s off Intermittent - PFEER Gen. ...	T 38	T 34
T 14	800Hz 0.25sec on, 1 sec off Intermittent	T 4	T 5				
T 15	800Hz Continuous	T 2	T 5				
T 16	660Hz 150mS on, 150mS off Intermittent	T 18	T 5				
T 17	544Hz (100mS)/440Hz (400mS) - NF S 32-001	T 2	T 27				
T 18	660Hz 1.8sec on, 1.8sec off Intermittent	T 2	T 5				
T 19	1.4KHz-1.6KHz 1s, 1.6KHz-1.4KHz 0.5s -NFC48-265	T 2	T 5				
T 20	660Hz Continuous	T 2	T 5				
T 21	554Hz/440Hz @ 1Hz Alternating	T 2	T 5				
T 22	544Hz @ 0.875 sec. Intermittent	T 2	T 5				
T 23	800Hz @ 2Hz Intermittent	T 6	T 5				
T 24	800/1000Hz @ 50Hz Sweeping	T 29	T 5				
T 25	2400/2900Hz @ 50Hz Sweeping	T 29	T 5				
T 26	Bell	T 2	T 15				
T 27	554Hz Continuous	T 26	T 5				
T 28	440Hz Continuous	T 2	T 5				
T 29	800/1000Hz @ 7Hz Sweeping	T 7	T 5				
T 30	300Hz Continuous	T 2	T 5				
T 31	660/1200Hz @ 1Hz Sweeping	T 26	T 5				
T 32	Two T chime.	T 26	T 15				