

# H110TX Trumpet Horn & Xenon Strobe Beacon

The H110T is a very high output electronic signal horn capable of generating a traditional 'buzzer' warning tone traditionally associated with electro-mechanical signals.

The H110TX incorporates the H110T with a 5 Joule Xenon strobe beacon. It is available in six lens colours and operating voltages from 12V dc to 230V ac.

The H110TX Xenon beacon component features an automatically synchronised flash rate of 1Hz (60 flashes per minute) as standard. The DC voltage versions also have user selectable 1.5Hz (90 flashes per minute) and double-strike flash rates. The double strike flash rate can be remotely activated via a third wire (as can alternative alarm tones on the horn sounder) enabling a audible and visual communication of a two stage alarm condition.

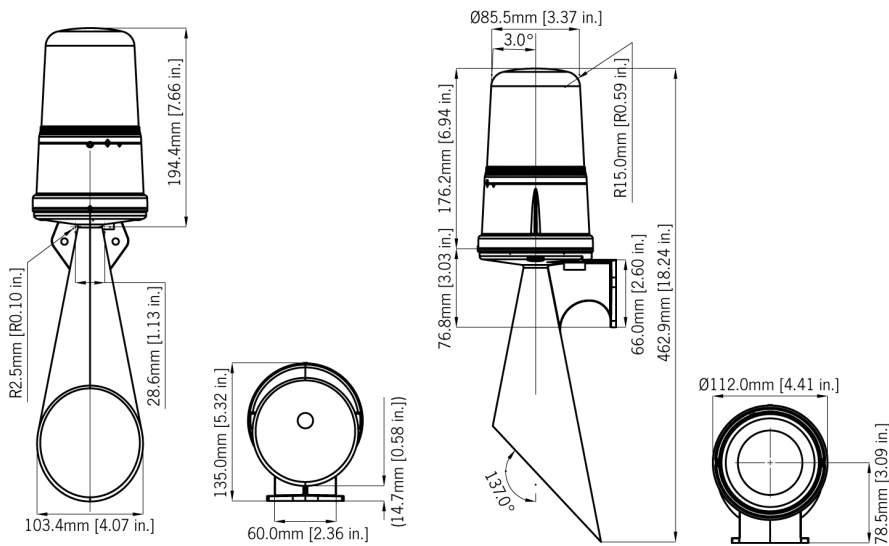
## Features

- Volume control.
- Stainless steel fixings.
- Bayonet fixing lens.
- Anti-tamper locking screw.

## Approvals

- GOST-R approved: POCC GB-JB05-H00144.





## Specification

|                     |   |
|---------------------|---|
| <b>Horn:</b>        |   |
| No. of tones:       | 3   |
| Output:             | 110 dB(A) @ 1m  |
| No. of stages:      | Alarm horn: 2, Xenon Beacon (DC only): 2              |
|                     | Double strike pattern can be remotely switched        |
| Stage switching:    | DC voltage via negative<br>AC voltage via live supply |
| <b>Beacon:</b>      |   |
| Light source:       | Xenon Strobe  |
| Energy:             | 5 Joules (5Ws)  |
| Flash rate:         | 1Hz (60 fpm)  |
|                     | DC units: Optionally 1.5Hz<br>& double strike         |
| Synchronisation:    | 1Hz flash rate automatically synchronised             |
| Peak Candela:       | 500,000 cd - calculated from energy (J)               |
| Effective Candela:  | 250 cd - calculated from energy (J)                   |
| Peak Candela:       | 49,778 cd* - measured ref. to I.E.S.                  |
| Effective Candela:  | 125 cd* - measured ref. to I.E.S.                     |
| Lens colours:       | Amber, Blue, Clear, Green,<br>Red & Yellow            |
| Lens type:          | Prismatic (standard) or plain                         |
| <b>General:</b>     |   |
| Dimensions:         | 462.9 × 135mm   |
| Mounting:           | Surface mount   |
| Entries:            | 1 × 5-7mm push through grommet                        |
| Ingress protection: | IP65  |
| Housing material:   | High impact ABS (UL94V0 & 5VA)                        |
| Lens material:      | High impact PC (UL94V0 f1)                            |
| Terminals:          | 0.5 to 1.5mm <sup>2</sup>                             |
| Operating temp:     | -25 to +50°C [-13° to +122°F]                         |
| Storage temp:       | -40 to +70°C [-40° to +158°F]                         |
| Relative humidity:  | 90% at 20°C [68°F]                                    |
| Weight:             | 638g/1.40lbs  |

\*SPL data +/-3dB(A). Measured at optimum voltage.

\*Candela measurements representative of performance with clear lens at optimum voltage.

**E2S Warning Signals sales@e2s.com www.e2s.com**

No liability is accepted for any consequence of the use of this document. The technical specification of this unit is subject to change without notice due to our policy of continual product development. All dimensions are approximate. This unit is sold subject to our standard conditions of sale, a copy of which is available on request.

## Part Codes

|                  |   |
|------------------|---|
| <b>Version:</b>  | <b>Part code:</b>   |
| 12V dc/ac        | H110TX012G/*  |
| 24V dc/ac        | H110TX024G/*  |
| 48V dc/ac        | H110TX048G/*  |
| 115V ac          | H110TX115G/*  |
| 230V ac          | H110TX230G/*  |
| * = Lens colour: | A: Amber, B: Blue, C: Clear,<br>G: Green, R: Red, Y: Yellow |

## Horn Current Consumption

| Version:  | Voltage:        | Current: |
|-----------|-----------------|----------|
| 12V dc/ac | 12V dc          | 52mA     |
| 12V dc/ac | 12V ac 50Hz     | 115mA    |
| 24V dc/ac | 24V dc          | 105mA    |
| 24V dc/ac | 24V ac 50Hz     | 215mA    |
| 48V dc/ac | 48V dc          | 42mA     |
| 48V dc/ac | 48V ac 50Hz     | 68mA     |
| 115V ac   | 115V ac 50/60Hz | 36mA     |
| 230V ac   | 230V ac 50/60Hz | 18mA     |

## Beacon Current Consumption

| Version:  | Voltage:        | Current: |
|-----------|-----------------|----------|
| 12V dc/ac | 12V dc          | 500mA    |
| 12V dc/ac | 12V ac 50Hz     | 600mA    |
| 24V dc/ac | 24V dc          | 250mA    |
| 24V dc/ac | 24V ac 50Hz     | 300mA    |
| 48V dc/ac | 48V dc          | 175mA    |
| 48V dc/ac | 48V ac 50Hz     | 250mA    |
| 115V ac   | 115V ac 50/60Hz | 70mA     |
| 230V ac   | 230V ac 50/60Hz | 35mA     |

## Tone table

| S 1 | Description                             | S 2 |
|-----|---|-----|
| T 1 | Electro-mechanical diaphragm horn sound | T 2 |
| T 2 | 1200/500Hz @ 1Hz - DIN / PFEER P.T.A.P. | T 1 |
| T 3 | 800/1000Hz @ 7Hz Sweeping               | T 2 |

5 Feb 2023