

H110TL Trumpet Horn & LED Beacon

The H110T is a very high output electronic signal horn capable of generating a traditional 'buzzer' warning tone traditionally associated with electro-mechanical signals.

With an output of 110dB(A) the H110T is ideal for all general signalling applications and the ingress protection rating of IP65 means it is suitable for indoor and outdoor installations. The H110TL incorporates the H110T with a multi-function L.E.D beacon. It is available in five L.E.D colours and operating voltages from 10V dc to 230V ac.

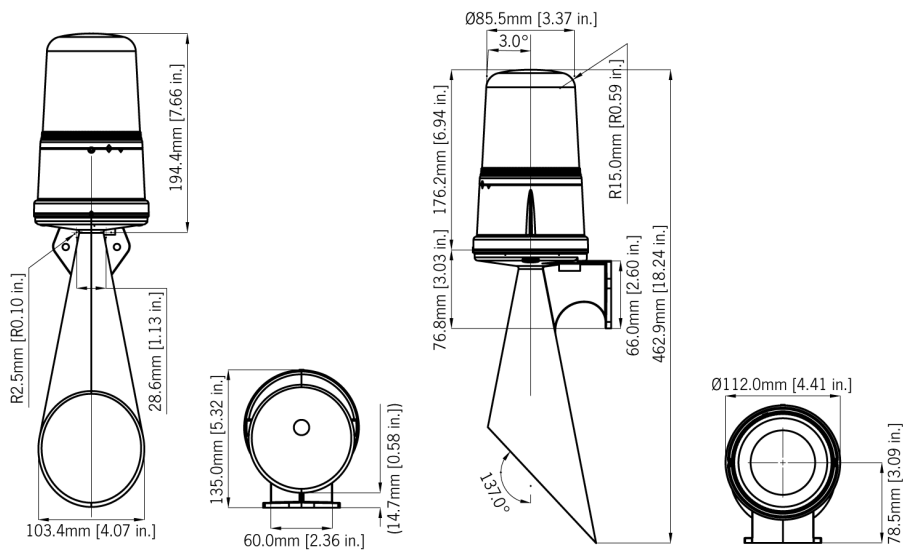
Features

- Volume control.
- Stainless steel fixings.
- Bayonet fixing lens.
- Anti-tamper locking screw.
- Multi-functional: 9 user selectable flash patterns.
 - 4 rotating configurations
 - 4 flashing configurations
 - Steady mode for indicator / status applications
- The DC unit also features a remotely selectable 2nd stage flash pattern.

Approvals

- GOST-R approved: POCC GB-JB05-H00144.





Specification

Horn:	
No. of tones:	3
Output:	110 dB(A) @ 1m
Stages:	Remotely selectable second stage
Stage switching:	DC voltage via negative AC voltage via live supply

Beacon:	
Light source:	16 x High power L.E.D.'s
Peak/Effective Intensity cd:	19 cd* - measured ref. to I.E.S.
Lens colours:	Amber, Blue, Clear (White L.E.D.), Green, Red & Yellow
Lens type:	Prismatic (standard) or plain

General:	
Dimensions:	462.9 × 135mm
Mounting:	Surface mount
Entries:	1 × 5-7mm push through grommet

Ingress protection:	IP65
Housing material:	High impact ABS (UL94V0 & 5VA)
Lens material:	High impact PC (UL94V0 f1)
Terminals:	0.5 to 1.5mm ²
Operating temp:	-25 to +50°C [-13° to +122°F]
Storage temp:	-40 to +70°C [-40° to +158°F]
Relative humidity:	90% at 20°C [68°F]
Weight:	606g/1.33lbs

*SPL data +/-3dB(A). Measured at optimum voltage.

*Candela measurements representative of performance with clear lens at optimum voltage.

Part Codes

Version:	Part code:
10-30V dc	H110TL030G/*
48V dc	H110TL048G/*
90-260V ac	H110TL230G/*

* = Lens colour: A: Amber, B: Blue, C: Clear,
G: Green, R: Red, Y: Yellow

Horn Current Consumption

Version:	Voltage:	Current:
10-30V dc	12V dc	52mA
10-30V dc	24V dc	105mA
48V dc	48V dc	42mA
90-260V ac/dc	115V dc	16mA
90-260V ac/dc	230V dc	8mA
90-260V ac/dc	115V ac 50/60Hz	36mA
90-260V ac/dc	230V ac 50/60Hz	18mA

Beacon Current Consumption

Version:	Voltage:	Current:
10-30V dc	12V dc	265mA
10-30V dc	24V dc	130mA
48V dc	48V dc	70mA
90-260V ac/dc	115V dc	17mA
90-260V ac/dc	230V dc	9mA
90-260V ac/dc	115V ac 50/60Hz	90mA
90-260V ac/dc	230V ac 50/60Hz	50mA

Beacon modes

Mode:	Stage 1	Stage2 [DC only]
1	All L.E.D.'s on	Alternate Side Flash 2Hz
2	Rotating: Slow1	Alternate Side Flash 2Hz
3	Single Strike Flash 2Hz	Rotating: Fast 2
4	Rotating: Fast 1	Single Strike Flash 2Hz
5	Rotating: Slow 2	Double Strike Flash 1Hz
6	Double Strike Flash 2Hz	Rotating: Fast 2
7	Rotating: Fast 2	Double Strike Flash 2Hz
8	Double Strike Flash 1Hz	Alternate Side Flash 2Hz
9	Alternate Side Flash 2Hz	Rotating: Fast 2