

# HAL121H Electronic Siren, Buzzer, Claxon & Bell with LED

**Beacon** users that have traditionally demanded conventional electromechanical claxons, sirens, buzzers and bells can now choose the next generation alternative.

The E2S Hootronic series of products faithfully reproduce the sounds made by legacy electro-mechanical signalling devices but in a modern, reliable and cost effective way. With output levels of up to 121dB(A) at 1 metre the HAL121 surpasses legacy electro-mechanical devices in performance and effectiveness, it is also continuously rated, requires zero maintenance and the signal quality will not degrade with age.

## Features

The products in the Hootronic range have 5 user selectable 'traditional' sounds including:

- Tone 1 : Industrial Claxon
- Tone 2 : High Frequency Mechanical Siren
- Tone 3 : Medium Frequency Mechanical Siren
- Tone 4 : Electro Mechanical Buzzer
- Tone 5 : Mechanical Bell

Each of these sounds have two additional, remotely selectable, alarm stages.

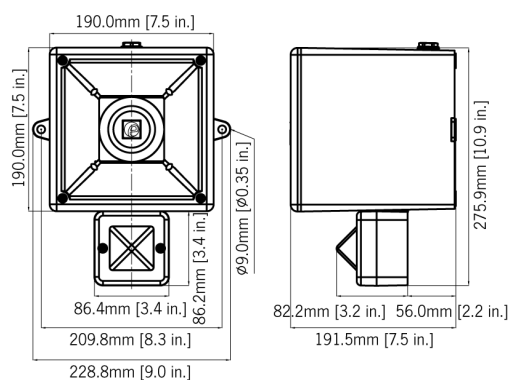
Remote switch generates genuine 'tail off' to sound when alarm is terminated.

- High output L.E.D array
- Automatic synchronisation on multi-sounder system.
- Continuously rated.
- Stainless steel fixings.
- Unit can be mounted using external lugs or internal BESA compatible fixing positions.
- Duplicate cable terminations (in & out for daisy-chain installations).
- Tropicalisation available on request.



## Approvals

EAC: RU D-GB.GA05.B.12595-20



## Specification

### Hootronic Sounder:

Nominal output: 121dB(A) @ 1m +/- 3dB - Tone 2 [112dB(A) @ 10ft/3m]

No. of tones: 5

No. of stages: 3

Volume control: Max. 121dB(A); Min. 112dB(A) approx.

Effective range: 300m/984ft @ 1KHz

### Beacon:

Light source: High intensity L.E.D. array.  
24 x Superflux type high output L.E.D's

Options: Steady or 2Hz flash mode (on board selection)

Peak/Effective Intensity cd: Green L.E.D: 176cd - measured ref. to I.E.S.

Terminals: 0.5 to 4.0mm<sup>2</sup> cables

L.E.D. colours: Amber Blue, Green, Red and White

Lens colour: All L.E.D. colours use a Clear lens to maximise output and to ensure the signal is most effective in high ambient light

### General:

Voltages DC: 24V dc

Voltages AC: 115V ac; 230V ac

Ingress protection: IP56

Housing material: High impact UL94 V0 & 5VA FR ABS

Colour: Red (RAL3000) & grey (RAL7038)

Cable entries: 2 x M20 clearance gland knockouts in side & back

Terminals: 0.5 to 4.0mm<sup>2</sup> cables.

Operating temp: -25 to +55°C [-13° to +131°F]

Storage temp: -40 to +70°C [-40° to +158°F]

Relative humidity: 90% at 20°C [68°F]

Weight: DC: 2.30kg/5.06lbs AC:2.90kg/6.38lbs

\*Candela measurements representative of performance with clear lens at optimum voltage.

\*SPL data +/-3dB(A). Measured at optimum voltage.

## Part Codes

Version      Part code:  
24V dc      HAL121HDC024[x]/[y]

115V ac      HAL121HAC115[x]/[y]

230V ac      HAL121HAC230[x]/[y]

[x] = Housing colour:      R: Red, G: Grey

[y] = Lens colour:      A: Amber, B: Blue, W: White, G: Green, R: Red

## Current Consumption

Product Version:	Nominal Voltage:	Voltage Range:	Beacon Current:	Horn Current:
DC024	24Vdc	18-30Vdc	87mA	375mA
AC115	115Vac 50/60Hz	103.5-126.5Vac	34mA	160mA
AC230	230Vac 50/60Hz	207-253Vac	19mA	75mA

### Tone table

<b>S 1</b>	<b>Description</b>	<b>S 2</b>	<b>S 3</b>
T 1	Industrial Claxon	T 3	T 5
T 2	High Frequency Mechanical Siren	T 1	T 5
T 3	Medium Frequency Mechanical Siren	T 1	T 5
T 4	Electro Mechanical Buzzer	T 2	T 5
T 5	Mechanical Bell	T 1	T 2