

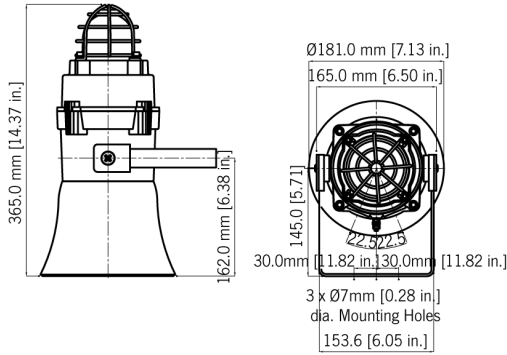
Features

- The sounder and beacon can be set individually to either run continuously or pulsed at the cadence of the ringing tone.
- Xenon tubes mechanically secured against shock & vibration
- Ratchet adjustable stainless steel 'U' bracket.

Approvals

- ATEX certificate: KEMA 01ATEX2223X,
EN 60079-0 : 2006, EN 60079-1 : 2007,
EN 61241-0 : 2006, EN 61241-1 : 2004
- IECEx certificate: IECEx KEM 10.0025,
IEC 60079-0 : 2004 (Ed4), IEC 60079-1 : 2007 (Ed6),
IEC 61241-0 : 2004 (Ed1), IEC 61241-1 : 2004 (Ed1)
- GOST-R certificate: POCC GB.JB05.B03365





Specification

Sounder/Horn:	
Maximum output:	117dB(A) @ 1 metre [108dB(A) @ 10ft/3m]
Nominal output:	110dB(A) @ 1m +/- 3dB - Tone 2 [101dB(A) @ 10ft/3m]
No. of tones:	32 (UK00A / PFEER compliant)
Volume control:	Max. 110dB(A); Min. 72dB(A) - Tone 2
Effective range:	100m/328ft @ 1KHz
Voltages DC:	12vdc; 24vdc; 48vdc
Voltages AC:	115vac; 230vac
Beacon:	
Energy:	5 Joules (5Ws)
Flash rate:	1Hz (60 fpm)
Peak Candela:	500,000 cd - calculated from energy (J)
Eff. Intensity cd:	250 cd - calculated from energy (J)
Peak Candela:	34,812 cd* - measured ref. to I.E.S.
Eff. Intensity cd:	105 cd* - measured ref. to I.E.S.
Lens colours:	Amber, Blue, Clear, Green, Red & Yellow
Tube life :	Emissions are reduced to 70% after 8 million flashes
General:	
Ingress protection:	IP66/67
Enclosure matl:	Marine grade copper free LM6 Aluminium
Enclosure finish:	Chromate & powder coated
BExCTS110-05 flare:	High impact UL94 V0 & 5VA FR ABS (Red)
BExDTCS110-05 flare:	Anti-Static High impact ABS (Black)
Cable entries:	Dual M20 ISO (one stopping plug included)
Terminals:	0.5 - 2.5mm ² (20-14 AWG)
Enclosure volume:	<2 litres
Grounding stud:	M5
Temperature range:	-50° to +70°C (-58°F to +158°F)
Relative humidity:	90% at 20°C [68°F]
Weight:	DC: 4.80kg/10.56lbs AC: 5.00kg/11lbs

Part Codes

Part Code: C0000 **Classification:**

BExCTS11005D[xx]-[yy]

ATEX / IECEx:
II 2G Ex d IIB T4 Ta. -50° to +70°C
GOST-R:
1ExdIIBT4 Ta. -50° to +55°C

BExDCTS11005D[xx]-[yy]

ATEX / IECEx:
II 2G Ex d IIB T4 Ta. -50°C to. +70°C
II 2D Ex tD A21 IP67 T115°C
based on max Ta. of +70°C
GOST-R:
1ExdIIBT4 Ta. -50° to +55°C
DIP A21 Ta T5

[xx] = Voltage reference:

Options: 12DC, 24DC, 48DC, 115AC, 230AC

[yy] = Lens colour reference:

Options: AM: Amber, BL: Blue, CL: Clear, GN: Green, RD: Red, YW: Yellow

Current Consumption

Version:	Alarm Sounder		Xenon Beacon	
	Voltage:	Current:	Voltage:	Current:
12V dc	+/-25%	195mA	10-14V	750mA
24V dc	+/-25%	265mA	20-28V	300mA
48V dc	+/-25%	130mA	42-54V	180mA
115V ac 50/60Hz		+/-10%	110mA	+/-10% 140mA
230V ac 50/60Hz		+/-10%	56mA	+/-10% 55mA

Tone table

S 1 Description

T 1	Continuous 1000Hz Toxic Gas Alarm
T 2	Alternating 800/1000Hz at 0.25s intervals
T 3	Slow Whoop 500/1200Hz at 0.3Hz with 0.5s gap ...
T 4	Sweeping 800/1000 at 1Hz
T 5	Continuous at 2400Hz
T 6	Sweeping 2400/2900Hz at 7Hz
T 7	Sweeping 2400/2900Hz at 1Hz
T 8	Siren 500/1200/500Hz at 0.3Hz
T 9	Sawtooth 1200/500Hz at 1Hz
T 10	Alternating 2400/2900Hz at 2Hz
T 11	Intermittent 1000Hz at 0.5Hz General alarm
T 12	Alternating 800/1000Hz at 0.875Hz
T 13	Intermittent 2400Hz at 1Hz
T 14	Intermittent 800Hz 0.25s on 1s off
T 15	Continuous at 800Hz
T 16	Intermittent 660Hz 150mS on, 150mS off
T 17	Alternating 544Hz (100mS)/440Hz(400mS)
T 18	Intermittent 660Hz 1.8s on, 1.8s off
T 19	1400Hz to 1600Hz sweep up over 1s -1600Hz to ...
T 20	Continuous 660Hz
T 21	Alternating 554/440Hz at 1Hz
T 22	Intermittent 554Hz at 0.875Hz
T 23	800Hz pulsing at 2Hz
T 24	Sweeping 800/1000Hz at 50Hz
T 25	Sweeping 2400/2900Hz at 50Hz
T 26	Simulated bell sound
T 27	Continuous 554Hz
T 28	Continuous 440Hz
T 29	Sweeping 800/1000Hz at 7Hz
T 30	420Hz repeating 0.625s on, 0.625s off Austral...
T 31	1200/500Hz at 1 Hz Prepare to Abandon Platform
T 32	Sweeping 500/1200Hz 3.75s on, 0.25s off 15Hz