

BExBG15 Explosion Proof Xenon Beacon 15 Joule

The flameproof BExBG15 15 Joule, 468 candela Xenon beacons are suitable for Zone 1, 2, 21 & 22 applications. Approved to IECEx, ATEX, Ex EAC and INMETRO standards. Available as SIL 1 and SIL 2 compliant.

The BExBG15 15 Joule Xenon strobe beacons robust construction enables installation in the harshest of environments. Additional features include automatic synchronisation on multi-beacon systems and stainless steel guard and mounting bracket as standard.

The explosion proof Ex d BEx range features enclosures manufactured from corrosion proof, marine grade copper free LM6 aluminium with a chromate and powder coat finish. All models have two M20 cable entries, large termination areas containing in & out terminals and an ingress protection of IP66/67.

Features

- Marine grade, corrosion proof, LM6 aluminium enclosure
- Automatic synchronisation on multi-beacon system.
- Beacons can be set to 'flip-flop' alternating mode with other units on multi-beacon systems.
- Xenon tubes mechanically secured against shock & vibration
- Glass lens & Stainless Steel guard
- Very large termination area.
- Dual M20 cable entries – adaptors available.
- Stopping plug included.
- Ratchet adjustable stainless steel 'U' bracket.
- Reverse polarity diode fitted.
- IP66/67 ingress protection.
- 468 candela effective light intensity.
- UV stable PC, field replaceable, colour lens filter.

Approvals

- IECEx Certificate: KEM 10.0002X
- ATEX Certificate: KEMA 00ATEX2006X
- TR-CU Ex EAC certificate: RU C-GB.HA65.B.01252_21
- SIL 1 and SIL 2 compliant to IEC 61508 (2010)
- INMETRO certificate: 104Ex-0010
- UKCA certificate: UL22UKEX2636X

Coding

- II 2G Ex db IIC T4 Gb Ta. -50°C to +70°C
- II 2D Ex tb IIIC T120°C Db Ta. -50°C to +40°C
- II 2D Ex tb IIIC T129°C Db Ta. -50°C to +70°C



Specification

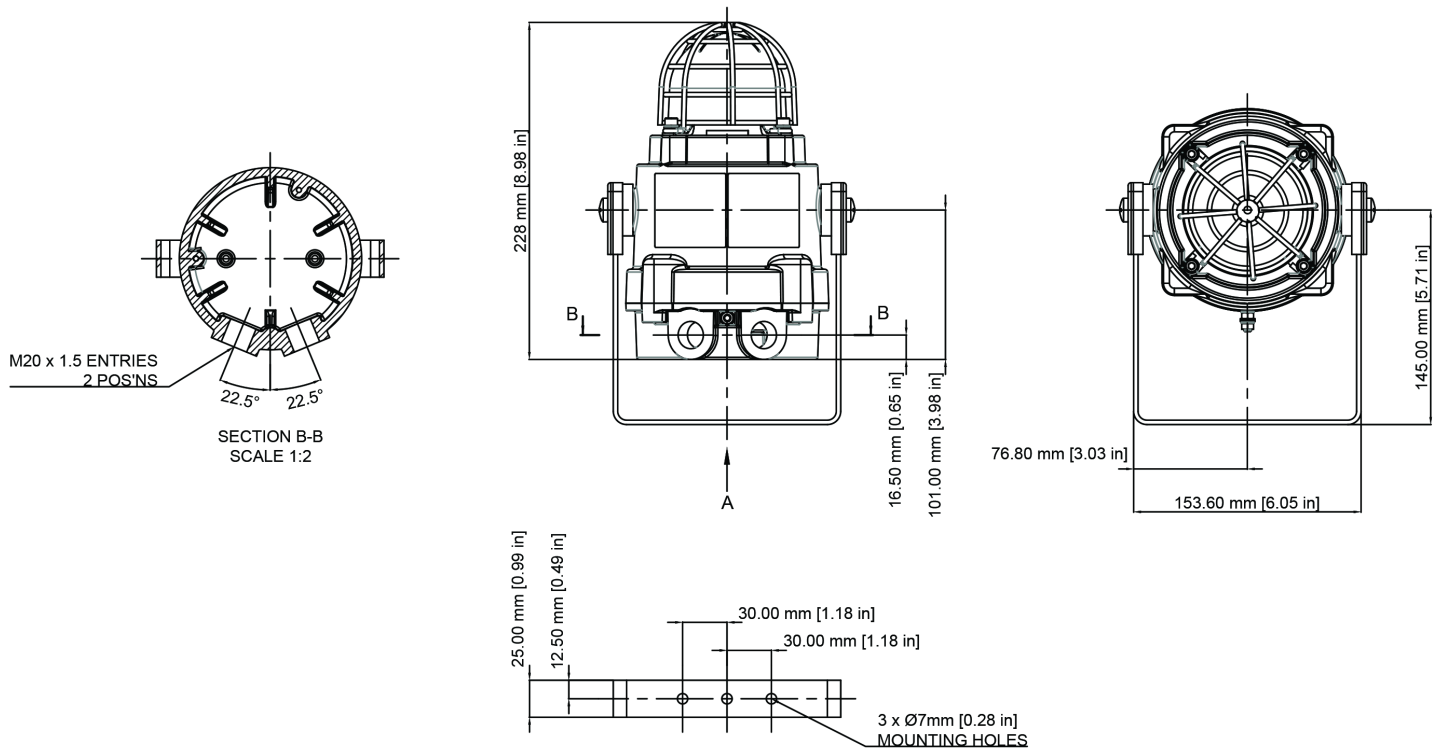
| | |
|--|--|
| Energy: | 15 Joules (15Ws) |
| Flash rate: | 1Hz (60 fpm) |
| Peak Candela: | 1,500,000 cd – calculated from energy (J) |
| Eff. Intensity cd: | 750 cd – calculated from energy (J) |
| Peak Candela: | 99,106 cd* – measured ref. to I.E.S. |
| Eff. Intensity cd: | 468 cd* – measured ref. to I.E.S. |
| Lens colours: | Amber, Blue, Clear, Green, Magenta, Red & Yellow |
| Voltages DC: | 24vdc; 48vdc |
| Voltages AC: | 115vac; 230vac |
| Ingress protection: | BG15D : IP66/67 BG15E : IP66 |
| Enclosure matl: | Marine grade copper free LM6 Aluminium |
| Enclosure finish: | Chromate & powder coated finish – anti-corrosion. |
| Colour: | Red (others available on request) |
| Cable entries: | Dual M20 ISO (one stopping plug inc) |
| Terminals: | 0.5 – 2.5mm ² (20-14 AWG) |
| Enclosure volume: | <2 litres |
| Line monitoring: | Blocking diode included EOL Min. 500 Ohm 2w, or 3k3 Ohm 0.5w resistor or diode (DC versions) can be fitted |
| Grounding stud: | M5 |
| Temperature range: | -50° to +70°C (-58°F to +158°F) |
| Relative humidity: | 95% – Additional tropicalisation is recommended for applications where both high relative humidity and high ambient temperatures exist |
| Tube life: | Emissions are reduced to 70% after 5 million flashes |
| MTBF AC: | 279.79 years / 2,450,981 hours – MIL217 |
| Weight: | DC:2.45kg/5.39lbs AC: 2.75kg/6.05lbs |
| *All candela data is representative of performance with clear lens at optimum voltage. | |

Part Codes

| Part Code: | Identifier: | Description: |
|--|--------------------------------------|--|
| Product type: | BExBG15 | Explosion proof 15J Xenon Strobe Beacon |
| Type: | DP | Ex d, UV stable PC Colour Lens |
| Voltage: | DC024 DC048 AC115 AC230 | 24V dc 48V dc 115V ac 240V ac |
| Cable entries:[e] | A B C D E F G | 2 x M20x1.5mm 2 x 1/2" NPT – adaptors 2 x 3/4" NPT – adaptors 2 x M25x1.5mm – adaptors 1 x 1/2" NPT – adaptor 1 x 3/4" NPT – adaptor 1 x M25x1.5mm – adaptor |
| Stopping plug/ adaptor material: [m] | B N S | Brass Nickel Plated Stainless Steel |
| Bracket/guard matl & tag: [s] | 1 2 3 4 | A2 304 Stainless Steel A4 316 Stainless Steel A2 304 St/St with Equip. Tag A4 316 St/St with Equip. Tag |
| Product version: [v] | A1 S1 | Default – IECEx, ATEX, Ex EAC & INMETRO – SIL1 IECEX, ATEX, Ex EAC & INMETRO – SIL2: 24Vdc only |
| Enclosure colour: [x] | R S | Red Special – contact E2S |
| Lens colour: [y] | A B C G M R Y | Amber Blue Clear Green Magenta Red Yellow |
| Accessories: | SP65-0001- A4 SP65-0003- A4 | Pole Mount Bracket Kit St/St A4 (316) Sunshade – St/St A4 (316) |

Current Consumption

| Product Version: | Voltage Range: | Current Consumption: |
|------------------|------------------|----------------------|
| 24V dc | 20-28V dc | 860mA |
| 48V dc | 42-54V dc | 480mA |
| 115V ac | +/-10% 50Hz/60Hz | 360mA |
| 230V ac | +/-10% 50Hz/60Hz | 170mA |



Assemblies

The products from the BEx range are available as multiple unit assemblies pre-wired with and without junction boxes. See the BExp data sheet for further info or contact E2S sales.