

D2xC2X10 Haz Loc Alarm Horn & 10 Joule Xenon Strobe

The hazardous location combination D2xC2X10 alarm horn sounder & 10J Xenon Strobe beacon/status warning light is UL/cULs/ULC approved for Class I Div 2, Class II Div 2, Class I Zone 2/22 as well as IECEx and ATEX certified for Zone 2 and 22 applications.

The D2xC2X10 features a 10 Joule, 288.8 cd Xenon strobe beacon with max. 116dB(A) alarm horn sounder. The high output alarm horn features 64 tones with remotely selectable stages enabling multiple warnings to be signalled from one device.

The 24Vdc version is UL approved to UL464 & UL1638 and ULC to CAN/ULC-S525 for private mode fire alarm use.

Features

- UL464/UL1638 Private mode fire use
- CAN/ULC-S525 Fire Alarm
- UL464/UL1638 General signaling
- Auto-synchronised – audible and visual
- 288.8 effective candela
- 107dB(A) @ 10ft/3m max. sound output – UL464
- 64 alarm tones, 4 remotely selectable alarm stages/channels
- Marine grade aluminium enclosure
- Ingress protection Type 4/4X/3R/13, IP66
- High impact resistant Borosilicate glass lens
- Stainless steel lens guard as standard
- Field changeable lens colour filter
- Duplicate, pluggable cable terminations for 4 wires
- Supervisory diode
- Dual cable entries
- Supplied with haz loc rated stopping plugs/adaptors

Approvals

- UL File ref: E230764
- IECEx cert: IECEx ULD 14.0004X
- ATEX cert: DEMKO 14 ATEX 4786493904X
- CSFM listing: 7136-2279:0501

Coding

- NEC / CEC:
 - Class I Div 2 ABCD T2A Ta -40°C to +50°C
 - Class II Div 2 FG T6 Ta -40°C to +50°C
 - Class III Div 1&2 Ta -40°C to +50°C
 - NEC:
 - Class I Zone 2 AEx ec IIC T2 Gc Ta -40°C to +50°C
 - Zone 22 AEx tc IIIC T85°C Dc Ta -40°C to +50°C
 - CEC:
 - Class I Zone 2 Ex ec IIC T2 Gc X Ta -40°C to +50°C
 - Zone 22 Ex tc IIIC T85°C Dc Ta -40°C to +50°C
 - IECEx & ATEX:
 - II 3G Ex ec IIC T2 Gc Ta -40°C to +50°C
 - II 2D Ex tc IIIC T95°C Dc Ta -40°C to +50°C
- See product manual for full voltage specific coding.



Specification

Alarm Horn

Sounder:

Maximum output:	116dB(A) @ 1 metre [107dB(A) @ 10ft/3m]
Nominal output:	112dB(A) @ 1m +/- 3dB - Tone 2 [103dB(A) @ 10ft/3m]
No. of tones:	64 (UK00A / PFEER compliant)
No. of stages:	4
Volume control:	Adjustable -12dB(A) [Tone 2]
Effective range:	125m/410ft @ 1KHz
Synchronisation:	Automatic synchronisation

Xenon Strobe Beacon/Light:

Energy:	10 Joules (10Ws)
Flash rate:	1Hz (60 fpm)
Peak Candela:	1,000,000 cd - calculated from energy (J)
Effective Intensity cd:	500 cd - calculated from energy (J)
Peak Candela:	101,784 cd* - measured ref. to I.E.S.
Effective Intensity cd:	288.8 cd* - measured ref. to I.E.S.
Lens colours:	Amber, Blue, Clear, Green, Magenta, Red & Yellow
Synchronisation:	Synchronised 1Hz flash rate (DC voltage versions)

General:

Voltages DC:	24V dc, 48V dc
In rush:	2.3A for <9ms
Voltages AC:	115Vac, 230Vac
Ingress protection:	IP rating per EN60529:IP66 Type rating per UL50E/NEMA250:4/4X/3R/13
Enclosure material:	Marine grade LM6 aluminum alloy
Enclosure colour:	Red or Grey, custom colours available on request
Lens material:	Borosilicate glass dome with PC prismatic lens cover
Guard:	Stainless Steel dome guard as standard
Cable entries:	2 x 1/2"NPT or 2 x M20x1.5mm
Stopping plug:	Stopping plug included Optional brass, nickel plated or stainless steel
Ground/Earth stud:	M5
Terminals:	0.5 - 2.5mm ² (20-14 AWG)
Line monitoring:	Blocking diode included EOL can be factory fitted
Operating temp:	-40 to +50°C [-40° to +122°F]
Storage temp:	-40 to +70°C [-40° to +158°F]
Relative humidity:	95%
Weight:	DC: 4.00kg/8.82lbs AC: 4.50kg/9.92lbs

Part Codes

Part Code:

Identifier: Description:

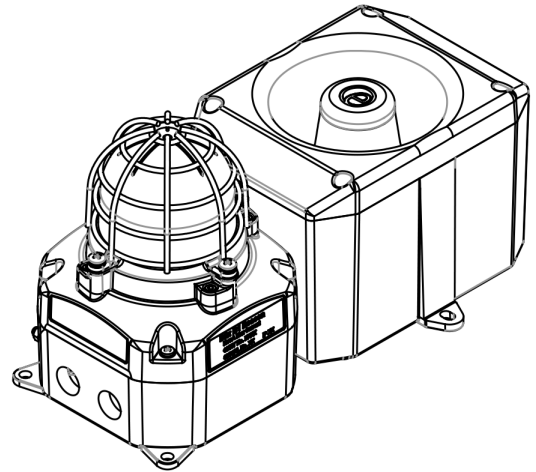
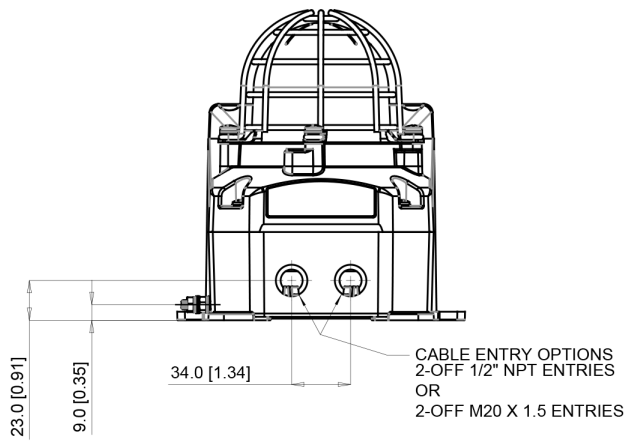
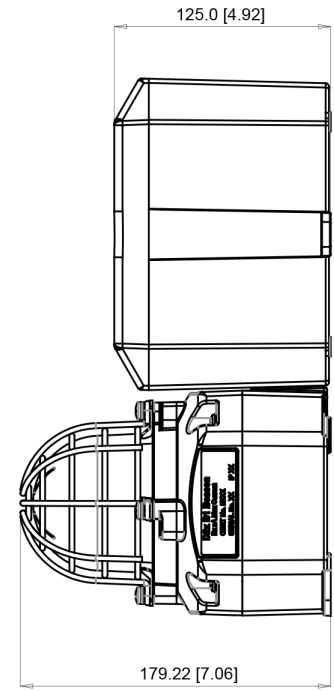
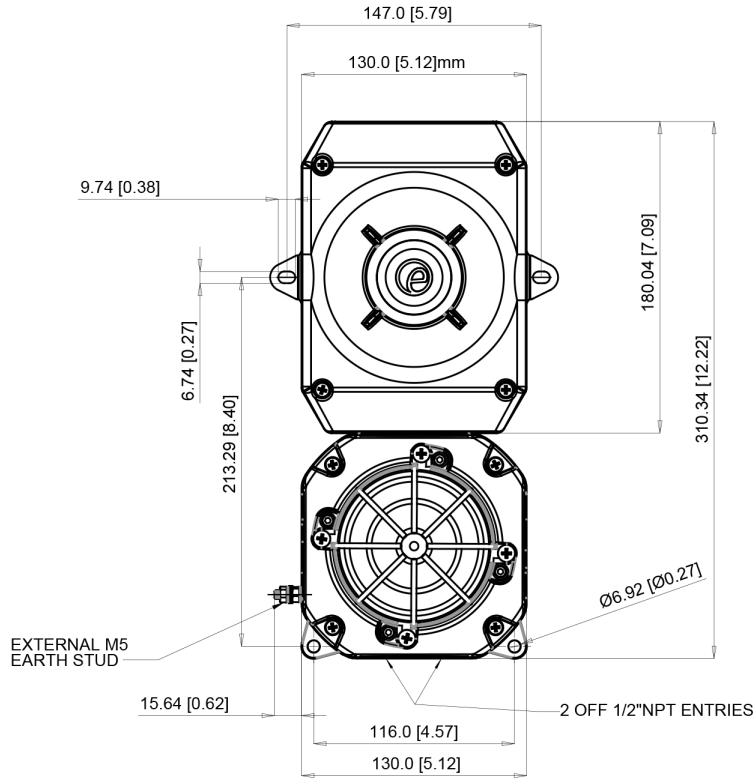
Product type:	D2xC2X10	Combination Alarm Horn & 10J Xenon Strobe Beacon / Warning Light
Voltage:	AC115 AC230 DC024 DC048	115-120Vac 50/60Hz 220-230Vac 50/60Hz 24V dc 48V dc
Cable entries: [e]	A B	2 x M20x1.5 2 x 1/2"NPT
Stopping plug material: [m]	N S	Nickel plated brass Stainless Steel
Guard material & tag: [s]	1 3 5	A4 316 Stainless Steel A4 316 St/St with Equip. Tag A4 316 St/St with Equip. Tag & Duty Label
Product version: [v]	A	UL, cUL, IECEx, ATEX, CSFM
Product option: [o]	1 T X	Standard product Tropicalisation Custom configuration - contact E2S
Enclosure colour: [x]	R G S	Red Grey Special colour - contact E2S
Lens colour: [y]	A, B, C G, M, R, Y	Amber, Blue, Clear Green, Magenta, Red, Yellow

Accessories:

SP65-0001-A4	Pole Mount Bracket Kit St/St A4 (316)
SP65-0003-A4	Sunshade - St/St A4 (316)

Current Consumption

Nominal Voltage:	Voltage range:	Nominal current [Beacon]:	Nominal current [Alarm Horn]:
24V dc	20-28V dc	609mA	313mA
48V dc	48V dc	260mA	181mA
115V ac	115-120Vac 50/60Hz	185mA	89mA
230V ac	220-230Vac 50/60Hz	107mA	52mA



Tone table

S 1	Description	S 2	S 3	S 4
T 1	1000 Continuous - PFEER Toxic Gas	T 3	T 2	T 44
T 2	1200/500 @ 1Hz Sweeping - DIN / PFEER P.T.A.P.	T 1	T 3	T 44
T 3	1000 @ 0.5Hz (1s on, 1s off) Intermittent - P...	T 1	T 2	T 44
T 4	1.4KH-1.6KHz 1s, 1.6KHz-1.4KHz 0.5s - NF C 48...	T 44	T 24	T 1
T 5	544(100mS)/440 (400mS) - NF S 32-001	T 52	T 19	T 1
T 6	1500/500 - (0.5s on , 0.5s off) x3 + 1s gap -...	T 7	T 44	T 1
T 7	500-1500Hz Sweeping 2 sec on 1 sec off - AS4428	T 6	T 44	T 1
T 8	500/1200Hz @ 0.26Hz(3.3s on, 0.5s off) - NEN ...	T 44	T 24	T 35
T 9	1000 (1s on, 1s off)x7 + (7s on, 1s off) - IM...	T 18	T 34	T 1
T 10	1000 (1s on, 1s off)x7 + (7s on, 1s off) - IM...	T 21	T 34	T 1
T 11	420(0.5s on, 0.5s off)x3 + 1s gap - ISO 8201 ...	T 44	T 1	T 8
T 12	1000(0.5s on, 0.5s off)x3 + 1s gap - ISO 8201...	T 44	T 1	T 8
T 13	422/775 - (0.85 on, 0.5 off) x3 + 1s gap - ...	T 44	T 1	T 8
T 14	1000/2000 @ 1Hz - Singapore	T 23	T 3	T 35
T 15	300 Continuous	T 44	T 24	T 35
T 16	440 Continuous	T 44	T 24	T 35
T 17	470 Continuous	T 44	T 24	T 35
T 18	500 Continuous - IMO code 2 (Low)	T 44	T 24	T 35
T 19	554 Continuous	T 64	T 24	T 35
T 20	660 Continuous	T 44	T 24	T 35
T 21	800 Continuous - IMO code 2 (High)	T 44	T 24	T 35
T 22	1200 Continuous	T 44	T 24	T 35
T 23	2000 Continuous	T 15	T 3	T 35
T 24	2400 Continuous	T 48	T 20	T 35
T 25	440 @ 0.83Hz (0.60s on, 0.60s off) Intermittent	T 1	T 44	T 8
T 26	470 @ 0.9Hz (0.55s on, 0.55s off) Intermittent	T 1	T 44	T 8
T 27	470 @ 5Hz (0.10s on, 0.10s off) Intermittent	T 1	T 44	T 8
T 28	544 @ 1.14Hz (0.43s on, 0.44s off) Intermittent	T 44	T 24	T 8
T 29	655 @ 0.875Hz (0.57s on, 0.57s off) Intermittent	T 1	T 44	T 8
T 30	660 @ 0.28Hz (1.80s on, 1.80s off) Intermittent	T 44	T 24	T 8
T 31	660 @ 3.3Hz (0.15s on, 0.15s off) Intermittent	T 30	T 24	T 8
T 32	745 @ 1Hz (0.50s on, 0.50s off) Intermittent	T 44	T 24	T 8

S 1	Description	S 2	S 3	S 4
T 33	800 (0.25s on, 1.00s off) Intermittent	T 53	T 24	T 8
T 34	800 @ 2Hz (0.25s on, 0.25s off) - IMO code 3...	T 56	T 24	T 8
T 35	1000 @ 1Hz (0.50s on, 0.50s off) Intermittent	T 44	T 24	T 8
T 36	2400 @ 1Hz (0.50s on, 0.50s off) Intermittent	T 21	T 24	T 8
T 37	2900 @ 5Hz (0.10s on, 0.10s off) Intermittent	T 53	T 24	T 8
T 38	363/518 @ 1Hz (0.50s / 0.50s) Alternating	T 1	T 8	T 19
T 39	450/500 @ 2Hz (0.25s / 0.25s) Alternating	T 1	T 8	T 19
T 40	554/440 @ 1Hz (0.50s / 0.50s) Alternating	T 44	T 24	T 19
T 41	554/440 @ 0.65Hz (0.76s / 0.76s) Alternating	T 1	T 8	T 19
T 42	561/760 @ 0.83Hz (0.60s / 0.60s) Alternating	T 1	T 8	T 19
T 43	780/600 @ 0.96Hz (0.52s / 0.52s) Alternating	T 1	T 8	T 19
T 44	800/1000 @ 2Hz (0.25s / 0.25s) Alternating	T 5	T 24	T 19
T 45	970/800 @ 2Hz (0.25s / 0.25s) Alternating	T 1	T 8	T 19
T 46	800/1000 @ 0.875Hz (0.57s / 0.57s) Alternating	T 53	T 24	T 19
T 47	2400/2900 @ 2Hz (0.25s / 0.25s) Alternating	T 57	T 24	T 19
T 48	500/1200 @ 0.3Hz (1.67s / 1.67s) Sweeping	T 44	T 24	T 12
T 49	560/1055 @ 0.18Hz (2.73s / 2.73s) Sweeping	T 44	T 24	T 12
T 50	560/1055 @ 3.3Hz (0.15s / 0.15s) Sweeping	T 44	T 24	T 12
T 51	600/1250 @ 0.125Hz (4s / 4s) Sweeping	T 44	T 24	T 12
T 52	660/1200 @ 1Hz (0.50s / 0.50s) Sweeping	T 64	T 24	T 12
T 53	800/1000 @ 1Hz (0.50s / 0.50s) Sweeping	T 56	T 24	T 12
T 54	800/1000 @ 7Hz (0.07s / 0.07s) Sweeping	T 57	T 24	T 12
T 55	800/1000 @ 50Hz (0.01s / 0.01s) Sweeping	T 54	T 24	T 12
T 56	2400/2900 @ 7Hz (0.07s / 0.07s) Sweeping	T 57	T 24	T 12
T 57	2400/2900 @ 1Hz (0.50s / 0.50s) Sweeping	T 47	T 24	T 12
T 58	2400/2900 @ 50Hz (0.01s / 0.01s) Sweeping	T 54	T 24	T 12
T 59	2500/3000 @ 2Hz (0.25s / 0.25s) Sweeping	T 44	T 24	T 12
T 60	2500/3000 @ 7.7Hz (0.65s / 0.65s) Sweeping	T 44	T 24	T 12
T 61	800Hz Motor Siren	T 44	T 24	T 12
T 62	1200Hz Motor Siren	T 44	T 24	T 12
T 63	2400Hz Motor Siren	T 44	T 24	T 12
T 64	Simulated Bell	T 44	T 21	T 12