

SONF1-HO High Output Alarm Horn Sounder

The SONF1-HO is a compact, high output, 105dB(A) alarm sounder. Low current consumption and high SPL in a robust fire retardant housing ensures suitability for all general signalling applications including fire, security and process control.

The SONF1-HO is a compact, high output, 105dB(A) alarm sounder. Low current consumption and high SPL in a robust fire retardant housing ensures suitability for all general signalling applications including fire, security and process control.

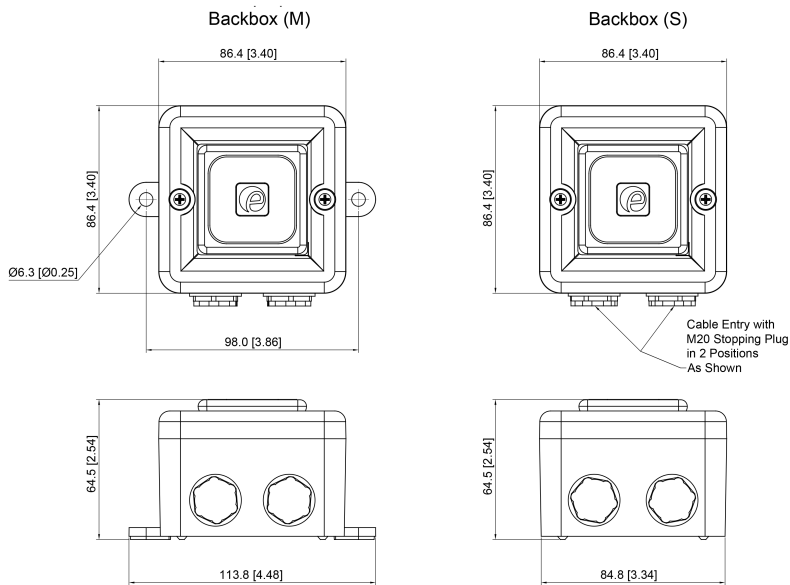
Features

- Automatic synchronisation
- Continuously rated
- Back box options with and without mounting lugs
- Dual M20, 1/2"NPT clearance cable entries option
- Duplicate cable terminations
- Ingress protection IP66 Type 3R/13
- 10 alarm tone frequencies
- Available with custom tone configurations and frequencies
- Diode polarized for use in supervised circuits

Approvals

- VdS CPR: (EN54-3) 0786-CPD-20191
- EAC: RU D-GB.GA05.B.12595-20
- RMRS: No. 19.00193.278
- CE, UKCA





Specification

Maximum output:	105dB(A) @ 1 m ±3dB [94dB(A) @ 10ft/3m ±3dB]
Nominal output:	101dB(A) @ 1m ±3dB [92dB(A) @ 10ft/3m ±3dB]
No. of tones:	10 (UK00A / PFEER compliant)
No. of stages:	2
Effective range:	47m/155ft @ 1KHz
Voltages DC:	12Vdc, 24V dc
Stage switching:	Negative (common positive)
Ingress protection:	IP66 Type 3R/13
Enclosure material:	High impact UL94 V0 & 5VA FR ABS
Enclosure colour:	Red (RAL3000), Grey (RAL7038) & White
Cable entries:	2 x M20, 1/2"NPT clearance cable entries with blanking plugs
Terminals:	0.5 - 1.5mm ² (22-16 AWG)
Line monitoring:	Diode polarized for use in supervised circuits
Operating:	-25 to +55°C [-13° to +131°F]
Storage:	-40 to +70°C [-40° to +158°F]
Relative humidity:	90% at 20°C [68°F]
Vibration test:	35Hz for a duration 4Hr (UL464)
Jarring test:	3ft/lb Energy (UL464)
Impact test:	3x 5lb (UL464)
MTBF:	306 years / 2,684,563 hours - MIL 217
Weight:	0.30kg / 0.66lbs

Part Codes

Variable:	Identifier:	Description:
Product type:	SONF1	Alarm horn sounder
Voltage:	DC012	12Vdc (10-18Vdc)
	DC024	24Vdc (18-30Vdc)
Back box/cable entries: [e]	M	Back box with mounting lugs - 2 x M20/1/2"NPT clearance
	S	Back box without mounting lugs - 2 x M20, 1/2"NPT clearance
Stopping plug material: [m]	A	ABS
Equip. tag/Duty label: [s]	0	No equip. tag or Duty label
	1	316 (A4) St/St Equip. tag/Duty label
	2	Metalised Polyester Equip. tag/Duty label
Product version: [v]	A	CPR, RMRS, EAC, CE, UKCA
Product option: [o]	1	Standard product
	X	Custom configuration - contact E2S
	Z	Custom alarm tone software - contact E2S
Enclosure: [x]	R-H	Red (RAL 3000)
	G-H	Grey (RAL 7038)
	W-H	White

Current Consumption

Product Version:	Nominal Voltage:	Voltage Range:	Current Consumption:
DC012	12Vdc	10-18Vdc	50mA
DC024	24Vdc	18-30Vdc	80mA

Tone table

S 1 Description

S 1	Description	S 2
T 1	800/1000Hz @ 0.25 sec Alternating	T 8
T 2	500/1200Hz @ 0.3Hz 0.5 sec Slow Whoop	T 1
T 3	1200/500Hz @ 1Hz - DIN / PFEER P.T.A.P.	T 8
T 4	544Hz (100mS)/440Hz (400mS) - NF S 32-001	T 9
T 5	Bell	T 1
T 6	800/1000Hz @ 7Hz Sweeping	T 8
T 7	500-1200Hz 3.75sec /0.25sec. Australian Evac.	T 10
T 8	\2.1000Hz Continuous - PFEER Toxic Gas	
T 9	\2.Continuous 554Hz	