

GNExCP7-PT/M-I IS Tool Reset/Momentary Call Point

The **intrinsically safe** GNExCP7-PT-I latching push button with tool reset and GNExCP7-PM-I momentary push button manual call points feature a robust GRP enclosure with a 316 stainless steel mechanism and IP66/67 rating – manufactured for the harshest of hazardous environments.

Globally approved to IECEx, ATEX, UL and cUL standards for all Class I Div 1 and Zone 0 installations. Available with DIN rail terminals or the innovative E2S termination board with dedicated connections for EOL and/or series devices. SIL2 compliant to IEC 61508 (2010). DNV type approved for exposed locations.

Features

- Corrosion proof GRP enclosure, anti-static & UV stable
- Ingress protection IP66/67/68, 4/4X/3R/13
- Single or double switch (SPCO/DPCO)
- 316 (A4) stainless steel mechanism
- 3 x cable entries, 2 x stopping plugs included
- Optional LED indicator

Approvals

- UL/cUL cert: UL-USL513632-352311-42200202-2
- IECEx cert: IECEx ULD 19.0007X
- ATEX cert: DEMKO 19 ATEX 2101X
- UKCA cert: UL21UKEX2134X
- DNV cert: TAA000034V
- SIL 2 compliant to IEC 61508 (2010)

Coding

- NEC Class / Zone
Class I Zone 0 AEx ia IIC T6 Ga Ta -55°C to +70°C
 - CEC Class / Zone
Ex ia IIC T6 Ga Ta -55°C to +70°C
 - NEC / CEC Class / Div
Class I Div 1 Group ABCD T6 Ta -55°C to +70°C
 - IECEx / ATEX
II 1G Ex ia IIC T6 Ga Ta -55°C to +70°C
- Note: All rated to T4 with EOL, series and/or LED.

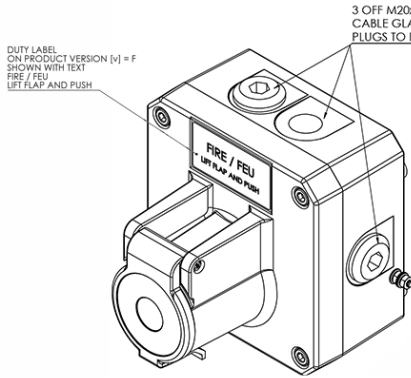


Specification

GNExCP7-PT-I	Version: IS Tool Reset	
GNExCP7-PM-I	Version: IS Momentary	
Temp. Range:	-55°C to +60°C/+70°C	
Switch:	Sealed – IP67	
Ingress protection:	IP66/67/68 to EN/IEC 60529 4/4X/3R/13 to UL50E/NEMA250	
Enclosure matl:	GRP Glass Reinforced Polyester, anti-static & UV stable	
Colour:	Red Other solid and striped colours available	
Lift flap:	Latching lift flap included as standard	
Cable entries:	2 x M20x1.5 down facing and 1 x M20x1.5 side Can be rotated to provide 2 x top facing and 1 x side entries Cable entries adaptable to 1/2"NPT, 3/4"NPT & M25	
Stopping plugs:	2 x Stopping plugs as standard Brass, Nickel plated or Stainless Steel	
Terminals:	DIN rail 8 × 2.5mm ² SAK2.5 or Termination board featuring 6 × 2.5mm ² terminals plus 4 x dedicated EOL & Series terminals	
Earth:	External M5 earth connection	
Relative Humidity:	R.H. 95% @ 20°C	
MTBF:	479.6 years / 4,201,680 hours I-MIL 217	
Weight:	2.1Kg/4.63lbs	
Supply voltage:	24Vdc Nominal 30Vdc Maximum via barriers	
Input safety parameters:	Ui	30V
	Ii	500mA
	Pi	1100mW
	Ci	0
	Li	0
Component:	Value:	Max current:
End-of-Line Resistor	min. 470R / 2W or min. 2k2 / 0.5W	n/a – limited by barrier
	5% Max. tolerance. Min. size: Ø3.5 × 9.0mm 2W or Ø2.6 × 6.8mm 0.5W	
End-of-Line Diode	2W	59.13mA – limited by system
	Type 1N5401. Min. size: Ø4.8 × 7.2mm	
Series Resistor	min. 470R / 2W or min. 2k2 / 0.5W	n/a – limited by barrier
	5% Max. tolerance. Min. size: Ø3.5 × 9.0mm 2W or Ø2.6 × 6.8mm 0.5W	
Series Diode	2W	59.13mA – limited by system
	Type 1N5401. Min. size: Ø4.8 × 7.2mm	
Series Zener Diode	3V3	230mA – limited by system
	4V7	162mA – limited by system
Type 1N53xB	5V1	149mA – limited by system
Ø3.3 × 8.4mm	5V6	136mA – limited by system
Min component size	6V2	122mA – limited by system
	6V8	112mA – limited by system
	10V	76mA – limited by system
	12V	63mA – limited by system
Spares:		
SP70-0001	Replacement break glass elements (Pack of 50)	
SP70-0040	STxCP8-BG Test Key	
Accessories:		
SP65-0001-A4	Pole Mount Bracket Kit St/St A4 (316)	
SP65-0002-A4	Sunshade – St/St A4 (316)	
SP70-0065	Break glass hammer with chain	

Part Codes

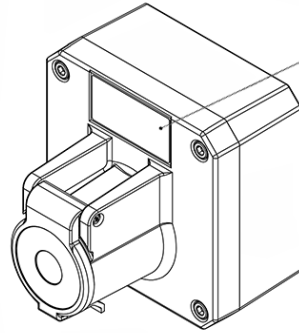
Version:	Part reference:	Description:
Product type:	GNExCP7PT	IS Latching push button with tool reset
	GNExCP7PM	IS Momentary push button
Switch type: [s]	S	SPCO/SPDT
	D	DPCO/DPDT
Terminals: [t]	D	DIN Rail 8 × SAK2.5
	P	PCBA termination: 6 × 2.5mm ² plus 4 × EOL & Series terminals
		NOTE: D option only available if no EOL, series or LED are required P option only available if EOL, series or LED are required to be factor fitted or installed during installation
Lift flap: [l]	L	Lift flap supplied as standard
Cable entries:[e]	A	3 x M20x1.5mm
	B	2 × 1/2" NPT – adaptors
	C	2 × 3/4" NPT – adaptors
	D	2 x M25x1.5mm – adaptors
	E	1 × 1/2" NPT – adaptor
	F	1 × 3/4" NPT – adaptor
	G	1 x M25x1.5mm – adaptor
Stopping plug/adaptor material: [m]	B	Brass
	P	Nickel Plated Brass
	S	Stainless Steel
Duty label/Equipment tag: [d]:	1	No Duty label, no Equip. tag
	2	Duty label Stainless Steel
	3	Duty label St/St + Equip. tag
	4	Duty label Metalised Polyester
	5	Duty label M. Poly. + Equip. tag
	6	Equip. tag only
	7	Special label requirement
Product version: [v]	I	UL, cUL, IECEx, ATEX, DNV
Product option: [o]	1	Standard product
	R	With EOL, series and/or LED devices
	W	Alternate EOL wiring
Enclosure colour: [x]	R	Red
	B	Blue
	N	Green
	Y	Yellow
	V	Red/White
	S	Yellow/Black
	K	Black
	M	Magenta
	Z	Red/Black
LED indicator: [u]	N	No LED required
	L	LED with 1.5K ballast resistor
	C	LED without ballast resistor
E.O.L.Module: [e] optional	ExxxR	Resistor value in Ohms e.g. E470R = 470 Ohm
	ED1	Diode IN4007 = ED1
	ExxxZ	Zener diode e.g. E5V1Z = 5.1V
Series Module: [s] optional	SxxxR	Resistor value in Ohms e.g. S1K5R = 1.5K Ohm
	SD1	Diode IN4007 = SD1
	SxxxZ	Zener diode e.g. S5V1Z = 5.1V



UNIT SHOWN AS PRODUCT VERSION [v] = F (FIRE PRODUCT UL38) WITH FIRE DUTY LABEL

3 OFF M20x1.5mm Ex d APPROVED CABLE GLAND OR STOPPING PLUGS TO BE USED IN EACH ENTRY

NOTE: BACK BOX CAN BE ORIENTATED WITH DUAL CABLE ENTRIES FACING UP OR DOWN.



UNIT SHOWN AS PRODUCT VERSION [v] = A WITH STANDARD DUTY LABEL

OPTIONAL DUTY LABEL ON PRODUCT VERSION [v] = A SHOWN BLANK. CUSTOMER TO SPECIFY TEXT AS REQUIRED

